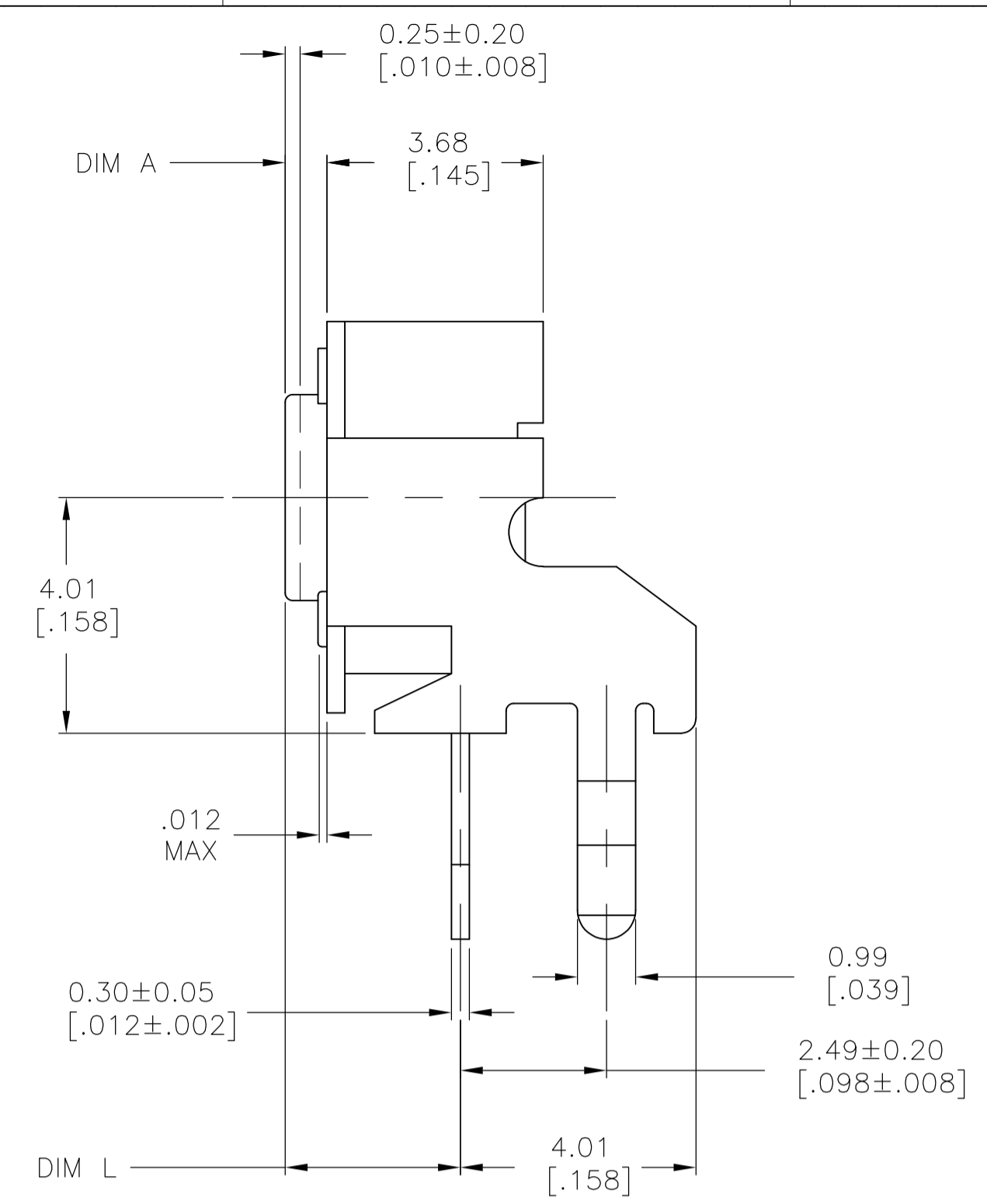
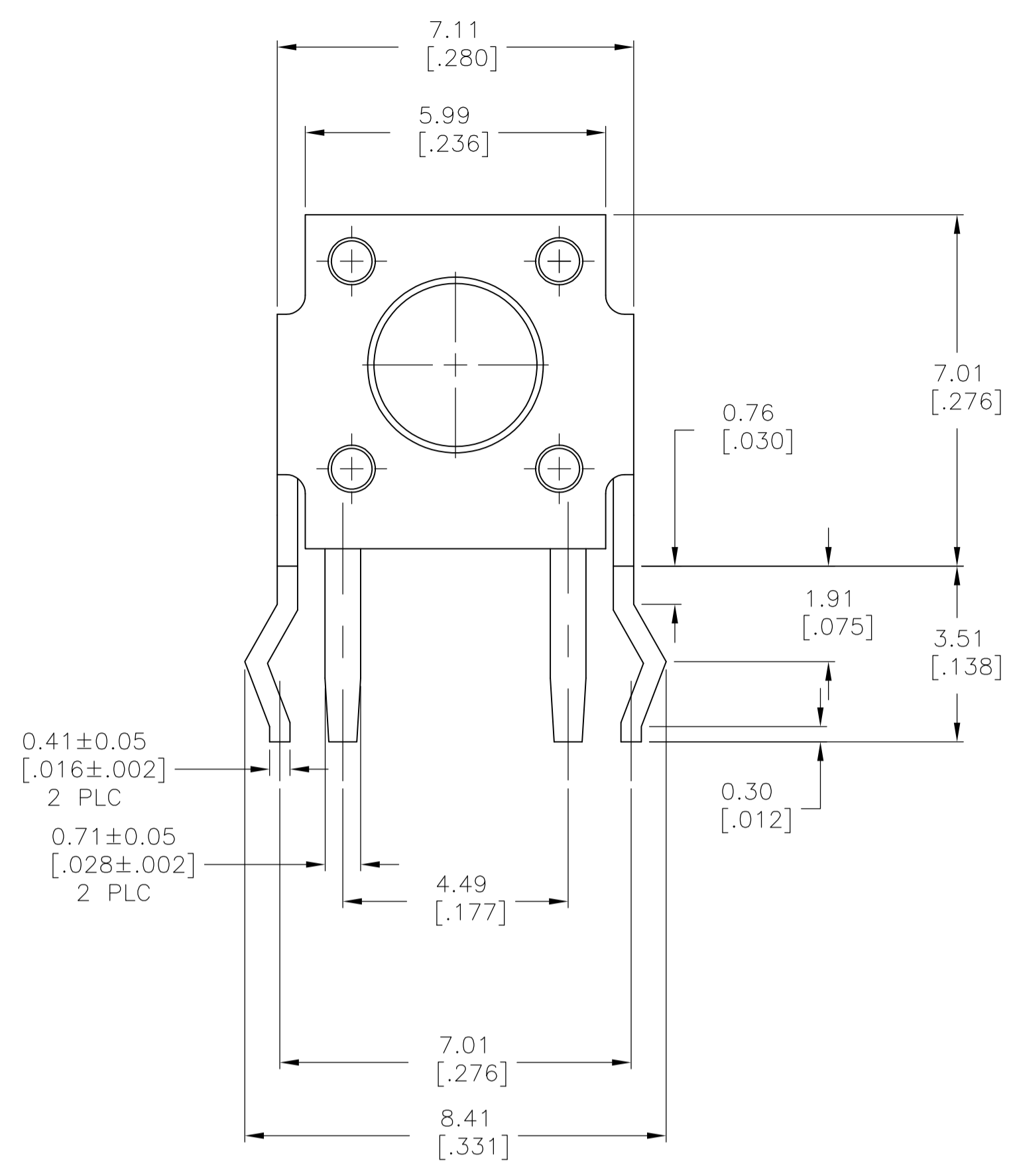


REVISIONS					
P	LTR	DESCRIPTION	DATE	DMN	APVD
B2	REVISED PER	ECO-17-002273	10OCT2017	RK	AS



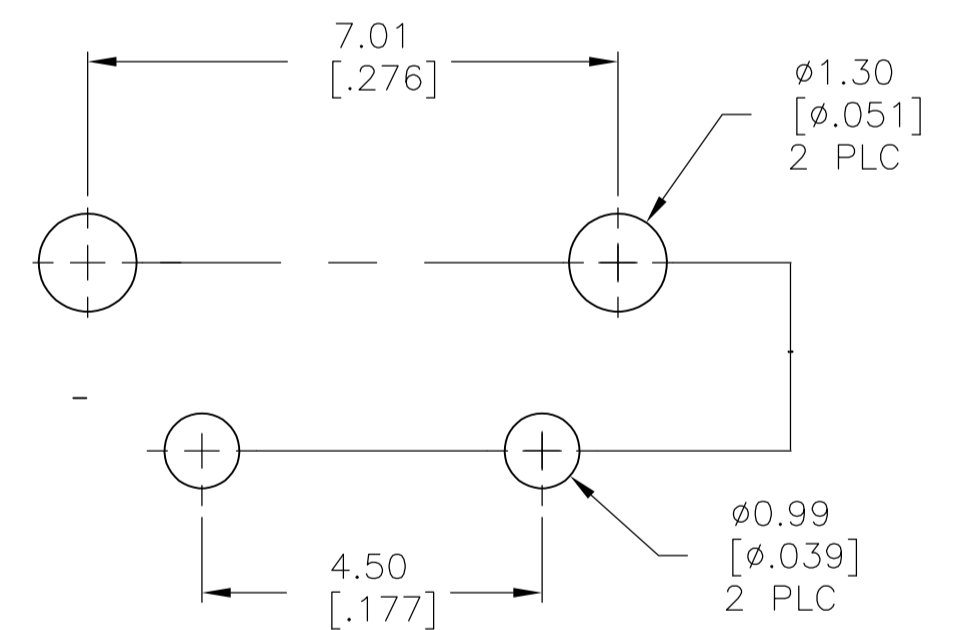
CASE: PPS, UL94V-0, BROWN  
 FRAME/BACKET: STEEL, TIN OVER NICKEL  
 ACTUATOR BUTTON: PPS OR PA6T (SEE TABLE), UL94V-0, COLOR SEE TABLE  
 MOVING CONTACT: COPPER ALLOY, SILVER PLATE  
 FIXED CONTACT/TERMINALS: COPPER ALLOY, SILVER OVER NICKEL PLATE

ELECTRICAL:  
 MAX CONTACT RATING: 50MILLIAMPS@24V DC  
 MIN CONTACT RATING: 10MICROAMPS@1V DC  
 INITIAL CONTACT RESISTANCE: 50 MILLIOHMS MAX  
 INSULATION RESISTANCE: 100 MEGOHMS @ 100 VDC MIN.  
 DIELECTRIC STRENGTH: 500 VAC 50/60 Hz FOR 1 MINUTE  
 LIFE EXPECTANCY: 100,000 CYCLES

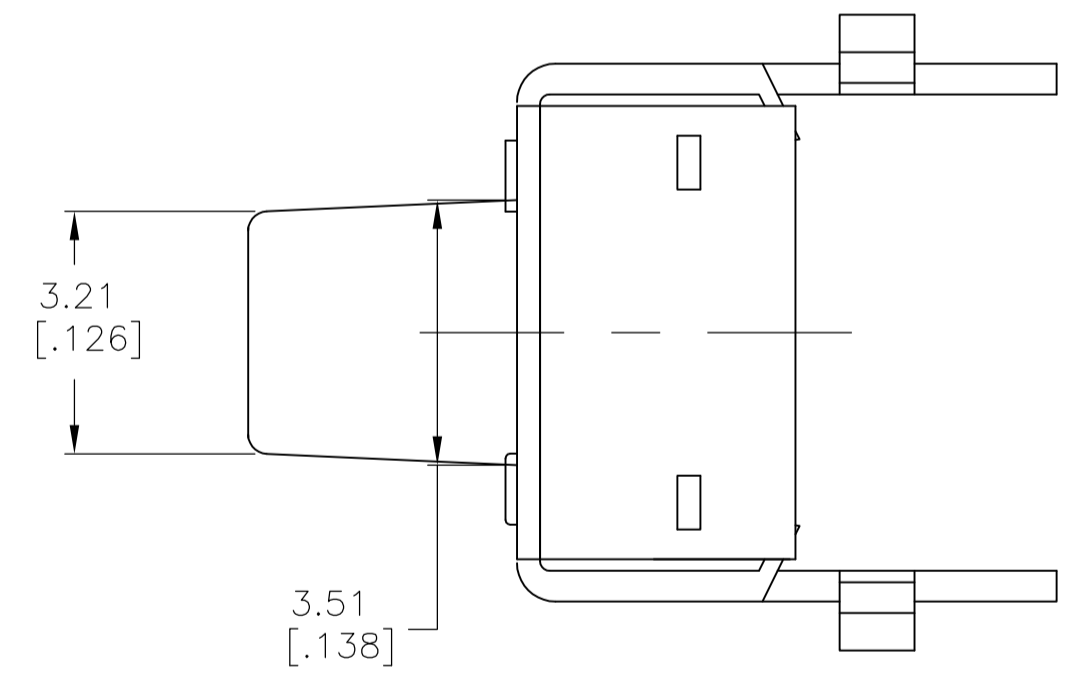
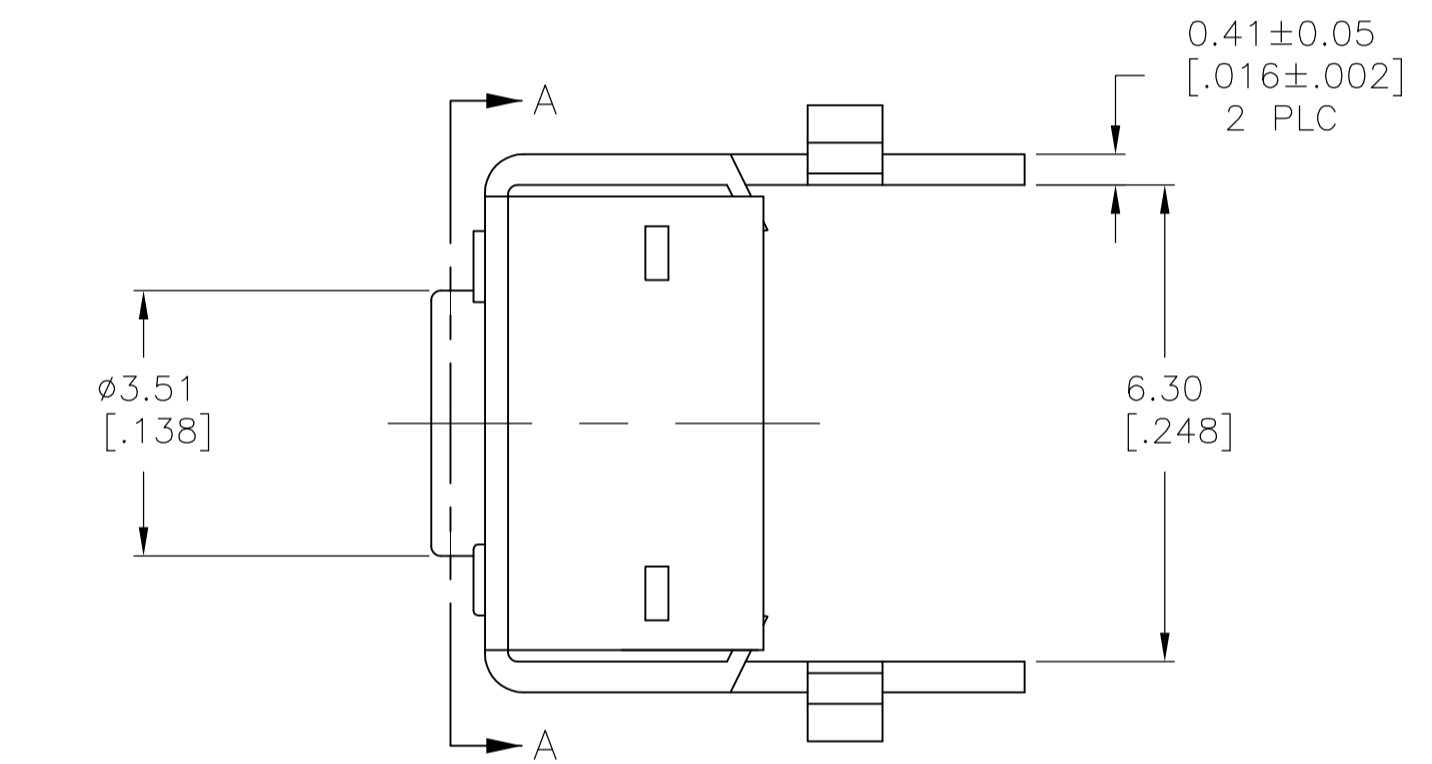
MECHANICAL:  
 ACTUATION FORCE: SEE TABLE  
 ACTUATION TRAVEL: .010±.008

ENVIRONMENTAL:  
 OPERATING TEMPERATURE: -35°C TO +85°C  
 STORAGE TEMPERATURE: -35°C TO +85°C  
 SOLDER HEAT RESISTANCE PER 109-201 COND B  
 SOLDERABILITY PER EIA-364-52 CLASS 1, CATEGORY 2

1 ALL MATERIALS AND FINISHES SHALL COMPLY WITH EH DIRECTIVE 2002/95/EC OF 27 JAN 2003 (ROHS)

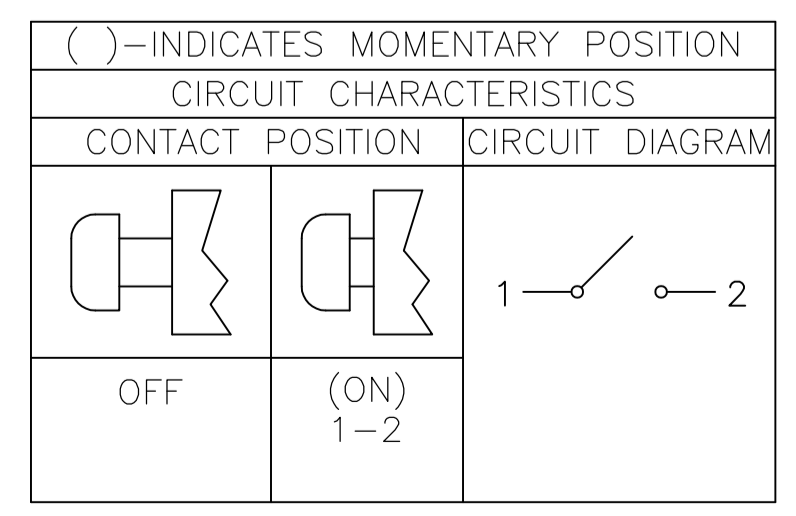


RECOMMENDED HOLE LAYOUT  
 TOLERANCE ±.002 UNLESS OTHERWISE NOTED



FSMRA5J

	ACTUATOR MATL	ACTUATOR COLOR	ACTUATION FORCE	DIM L	DIM A	ALCO PIN	TE PIN
OBSOLETE	PA6T	WHITE	260 +/-50 GF	15.85 (.624)	13.25 (.522)	FSMRA8JHXA	2-1977177-4
	PPS	BLACK	160 +/-50 GF	15.85 (.624)	13.25 (.522)	FSMRA8JHX	2-1977177-3
	PPS	BROWN	100 +/-30 GF	15.85 (.624)	13.25 (.522)	FSMRA8JHXL	2-1977177-2
	PA6T	WHITE	260 +/-50 GF	11.85 (.467)	9.24 (.364)	FSMRA7JHXA	2-1977177-1
	PPS	BLACK	160 +/-50 GF	11.85 (.467)	9.24 (.364)	FSMRA7JHX	2-1977177-0
	PPS	BROWN	100 +/-30 GF	11.85 (.467)	9.24 (.364)	FSMRA7JHXL	1-1977177-9
OBSOLETE	PA6T	WHITE	260 +/-50 GF	6.85 (.270)	4.24 (.167)	FSMRA6JHXA	1-1977177-8
	PPS	BLACK	160 +/-50 GF	6.85 (.270)	4.24 (.167)	FSMRA6JHX	1-1977177-7
	PPS	BROWN	100 +/-30 GF	6.85 (.270)	4.24 (.167)	FSMRA6JHXL	1-1977177-6
OBSOLETE	PA6T	WHITE	260 +/-50 GF	6.15 (.242)	3.55 (.140)	FSMRA5JHXA	1-1977177-5
OBSOLETE	PPS	BLACK	160 +/-50 GF	6.15 (.242)	3.55 (.140)	FSMRA5JHX	1-1977177-4
OBSOLETE	PPS	BROWN	100 +/-30 GF	6.15 (.242)	3.55 (.140)	FSMRA5JHXL	1-1977177-3
	PA6T	WHITE	260 +/-50 GF	8.35 (.329)	5.74 (.226)	FSMRA4JHXA	1-1977177-2
	PPS	BLACK	160 +/-50 GF	8.35 (.329)	5.74 (.226)	FSMRA4JHX	1-1977177-1
	PPS	BROWN	100 +/-30 GF	8.35 (.329)	5.74 (.226)	FSMRA4JHXL	1-1977177-0
	PA6T	WHITE	260 +/-50 GF	5.85 (.230)	3.25 (.128)	FSMRA3JHXA	1977177-9
	PPS	BLACK	160 +/-50 GF	5.85 (.230)	3.25 (.128)	FSMRA3JHX	1977177-8
OBSOLETE	PPS	BROWN	100 +/-30 GF	5.85 (.230)	3.25 (.128)	FSMRA3JHXL	1977177-7
	PA6T	WHITE	260 +/-50 GF	3.86 (.152)	1.24 (.049)	FSMRA2JHXA	1977177-6
	PPS	BLACK	160 +/-50 GF	3.86 (.152)	1.24 (.049)	FSMRA2JHX	1977177-5
OBSOLETE	PPS	BROWN	100 +/-30 GF	3.86 (.152)	1.24 (.049)	FSMRA2JHXL	1977177-4
	PA6T	WHITE	260 +/-50 GF	3.15 (.124)	0.56 (.022)	FSMRA1JHXA	1977177-3
	PPS	BLACK	160 +/-50 GF	3.15 (.124)	0.56 (.022)	FSMRA1JHX	1977177-2
	PPS	BROWN	100 +/-30 GF	3.15 (.124)	0.56 (.022)	FSMRA1JHXL	1977177-1



THIS DRAWING IS A CONTROLLED DOCUMENT.

DIMENSIONS: mm [INCHES]	TOLERANCES UNLESS OTHERWISE SPECIFIED:	DIM M BINNER 14AUG07	APVD M SARVER 14AUG07	NAME	6MM R/A TACT SWITCH ULTRA HIGH TEMPERATURE SERIES
0 PLC ± -	1 PLC ± -	2 PLC ± 0.30[.012]	3 PLC ± -	4 PLC ± -	ANGLES ± -
MATERIAL	FINISH	WEIGHT	SCALE	CUSTOMER DRAWING	RESTRICTED TO

STE TE Connectivity

SIZE: A1 CASE CODE: 00779 DRAWING NO: 1977177

SCALE: 10:1 SHEET: 1 OF 1 REV: B2

单击下面可查看定价，库存，交付和生命周期等信息

[>>TE Connectivity\(泰科\)](#)