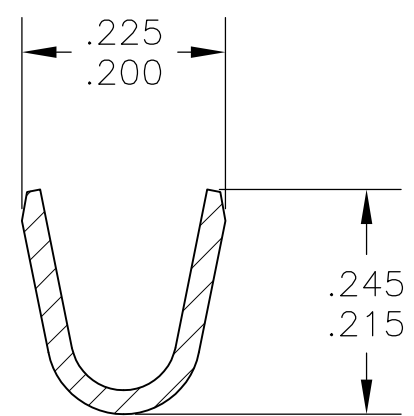
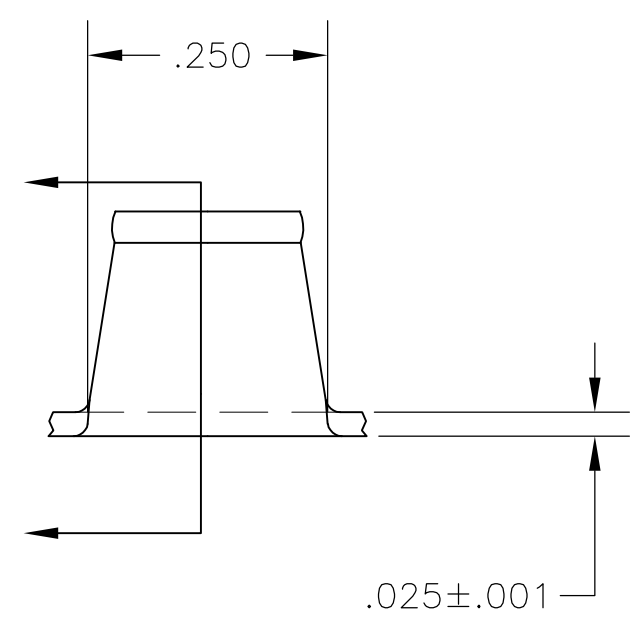
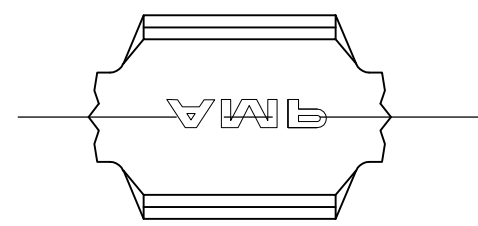


THIS DRAWING IS UNPUBLISHED. RELEASED FOR PUBLICATION
 © COPYRIGHT BY TYCO ELECTRONICS CORPORATION. ALL INTERNATIONAL RIGHTS RESERVED.

LOC	DIST	REVISIONS					
AF	50	P	LTR	DESCRIPTION	DATE	DWN	APVD
			B	REVISED PER ECR-08-028940	02MAR09	HMR	GP

- 1 PRODUCT PROVIDED IN STRIP FORM ON REELS; BREAKS MAY BE PRESENT
- 2 WIRE RANGE FOR NEW APPLICATIONS: 7400-10,000 CMA (WIRE RANGE APPROVED FOR APPLICATIONS IMPLEMENTED PRIOR TO 2005: 4000-10,000 CMA).



41996
 PART NO

THIS DRAWING IS A CONTROLLED DOCUMENT.		DWN	jr_ruth	24NOV04	Tyco Electronics Corporation Harrisburg, PA 17105-3608		
DIMENSIONS: INCHES		CHK	G PORTA	24NOV04	NAME		
		APVD	G PORTA	24NOV04	SPLICE		
TOLERANCES UNLESS OTHERWISE SPECIFIED:		PRODUCT SPEC		-			
0 PLC ± -		APPLICATION SPEC		114-2088			
1 PLC ± -		SIZE		CAGE CODE	DRAWING NO	RESTRICTED TO	
2 PLC ± -		A3		00779	C-41996	-	
3 PLC ± .015		WEIGHT		-			
4 PLC ± -		CUSTOMER DRAWING		SCALE	SHEET	REV	B
ANGLES ± 5°				5:1	1 OF 1		
MATERIAL	FINISH						
BRASS	TIN						

单击下面可查看定价，库存，交付和生命周期等信息

[>>TE Connectivity\(泰科\)](#)