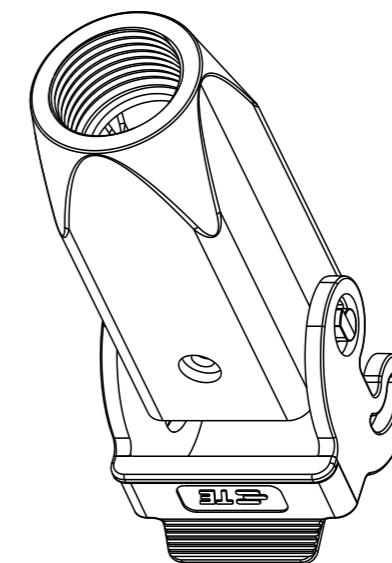
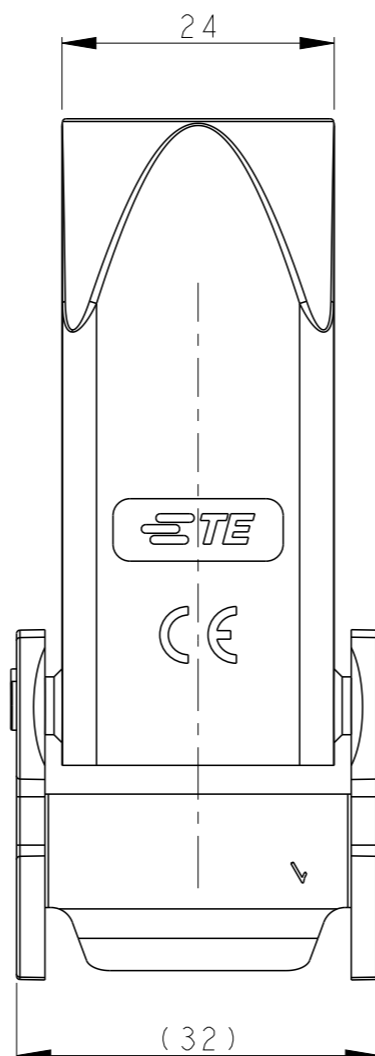
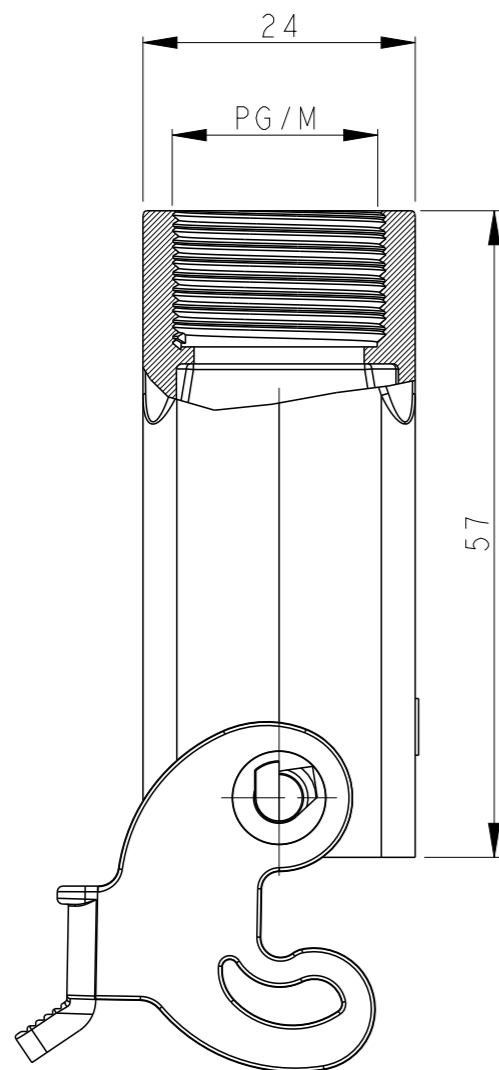


REVISIONS

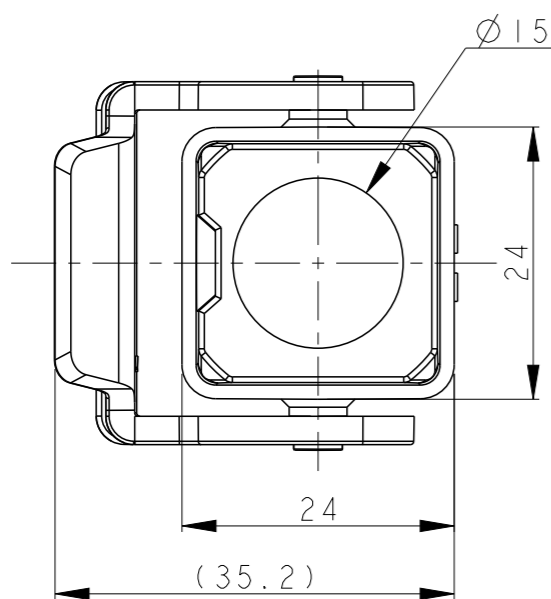
| P | LTR | DESCRIPTION | DATE | DWN | APVD |
|----|-----|-----------------|-----------|-----|------|
| A | | INITIAL RELEASE | 29APR2015 | DL | CW |
| B | | ECR-18-017120 | 27MAR2019 | BS | CW |
| C | | ECR-20-008412 | 26NOV2020 | BS | CW |
| CI | | ECR-22-142297 | 09JUN2022 | AC | CW |




SCALE 1:1

NOTES:
 1. TECHNICAL CHARACTERISTICS:
 BODY MATERIAL: PC
 DEGREE OF PROTECTION: IP65 (MATED)

注释:
 1. 技术参数:
 主体材料: PC
 防护等级: IP65(配合)



| | | | |
|-------------------|------------------------|---|------|
| T1739032111-000 | H3A-TGVB-PG11 | H3APLASTIC HOUSING, CABLE-TO-CABLE, PLASTIC SINGLE LOCKING, PG11, GREY H3A塑料下壳, 电缆对接, 塑料单扣, PG11, 灰色 | PG11 |
| T1739032120-000 | H3A-TGVB-M20 | H3APLASTIC HOUSING, CABLE-TO-CABLE, PLASTIC SINGLE LOCKING, M20, GREY H3A塑料下壳, 电缆对接, 塑料单扣, M20, 灰色 | M20 |
| PART NUMBER 料号 | PART DESCRIPTION 描述 | | PG/M |

| | | | | | | | |
|---|--|--------------------------------|---|-------------|-----------------------------|-----------------|--------|
| THIS DRAWING IS A CONTROLLED DOCUMENT. | | DWN 29APR2015 DAVID LI |  TE Connectivity NAME H3A-TGVB-PG/M | | | | |
| DIMENSIONS: mm | | CHK 29APR2015 CHRIS WANG | | | | | |
| TOLERANCES UNLESS OTHERWISE SPECIFIED: | | APVD 29APR2015 XU XIANG | | | | | |
| 0 PLC ±- 1 PLC ±- 2 PLC ±- 3 PLC ±- 4 PLC ±- ANGLES ±- | | PRODUCT SPEC 108-137134 | | | | | |
| MATERIAL | | APPLICATION SPEC 114-137134 | SIZE A3 | CAGE CODE - | DRAWING NO C-T17390321XX000 | RESTRICTED TO - | |
| FINISH | | WEIGHT - | CUSTOMER DRAWING | | SCALE 3:2 | SHEET 1 OF 1 | REV CI |

单击下面可查看定价，库存，交付和生命周期等信息

[>>TE Connectivity\(泰科\)](#)