

THIS DRAWING IS UNPUBLISHED.		RELEASED FOR PUBLICATION	
© COPYRIGHT - By -		ALL RIGHTS RESERVED.	
PROJECT	PRJ-16-000909157		
PART NO.	X-2308319-X		
DESCRIPTION	FULL METAL HOODS SIZE 1		
CUSTOMER	GENERAL MARKET		

REVISIONS					
P	LTR	DESCRIPTION	DATE	DWN	APVD
	A2	REVISED PER ECR-16-014891	20OCT2016	KK	GG

NOTES:

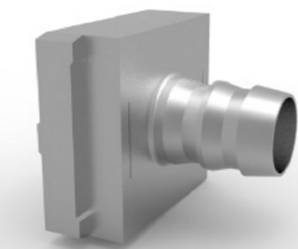
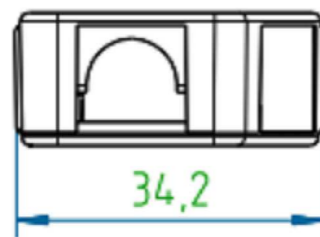
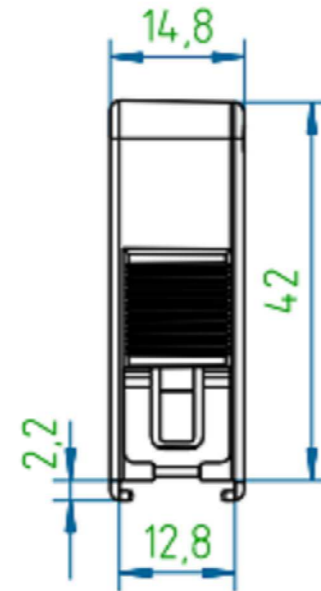
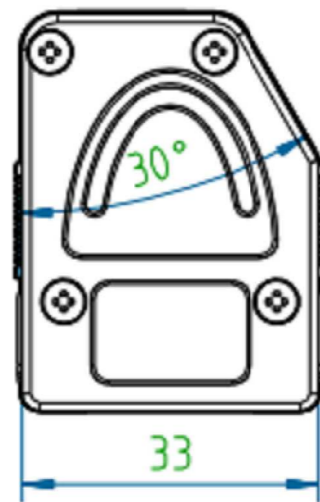
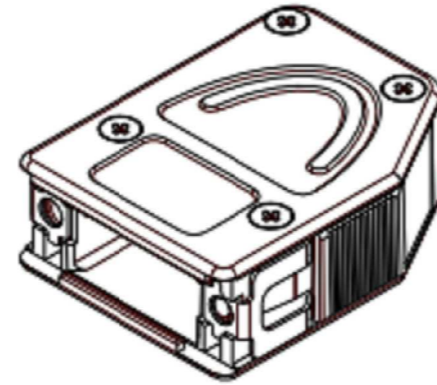
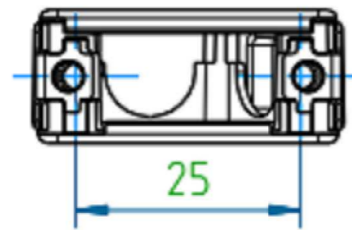
1. TEMPERATURE: -40°C TO +90°C.
2. STRAND DIAMETER OF CRIMP FLANGE: 2.7-8.7 mm.
3. CABLE DIAMETER WITH EXTERNAL CABLE CLAMP: 4-14 mm.
4. CABLE DIAMETER WITH INTERNAL CABLE CLAMP: d=4-10 mm (FOR d=4-7 mm TURN CABLE CLAMP).
5. CABLE BUSHING FOR CABLE DIAMETER 4-9 mm.

* CRIMP FLANGE PN *-2308349-* TO BE ORDERED SEPARATELY.

* CRIMP BARREL TO BE USED IN COMBINATION WITH THE FLANGE PN *-2308350-* TO BE ORDERED SEPARATELY.

* CABLE CLAMP SCREW VERSION PN *-2308272-* TO BE ORDERED SEPARATELY.

X-2308319-X



CRIMP FLANGE

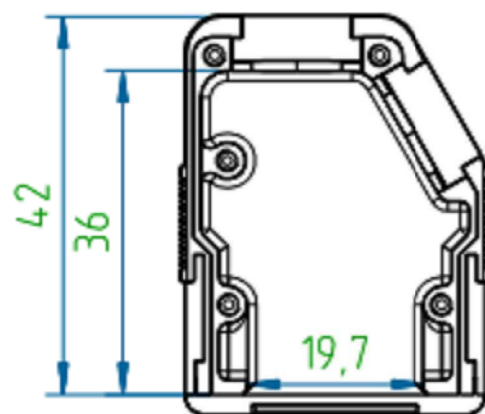


CRIMP BARREL

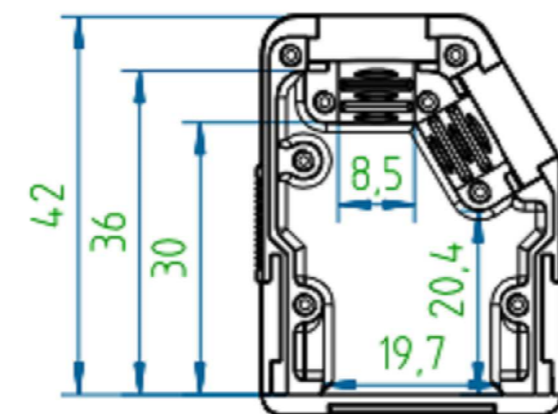


CABLE CLAMP

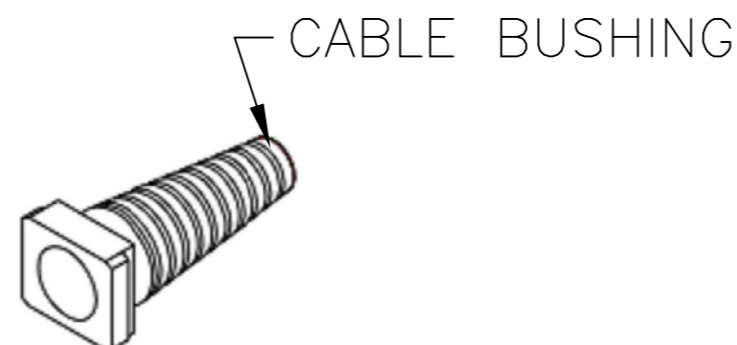
HOUSING 1



HOUSING 2



BLIND PLATE



CABLE BUSHING

1-2308319-5	FULL METAL HOOD1	5	HOUSING 2	1	2	2	3	92
1-2308319-4	FULL METAL HOOD1	4	HOUSING 2	2	1	1	2	94
1-2308319-3	FULL METAL HOOD1	3	HOUSING 2	1	2	-	3	90
1-2308319-2	FULL METAL HOOD1	2	HOUSING 2	2	1	-	2	92
1-2308319-1	FULL METAL HOOD1	1	HOUSING 1	2	-	-	-	87
ASSY. PART NO.	DESCRIPTION		SUB-PART DESCRIPTION	POS.3	POS.5	POS.6	POS.7	WEIGHT, g
	DESCRIPTION		POS.1					

9	1	-	SCREW M2.5x5 (CASE HARDENING STEEL, ZINC-PLATED)
8	4	-	SCREW M2.5x6.5 (CASE HARDENING STEEL, ZINC-PLATED)
7	SEE TAB. POS.7	-	SCREW M2.5x6 (CASE HARDENING STEEL, ZINC-PLATED)
6	SEE TAB. POS.6	-	CABLE BUSHING (EPTR SANTOPRENE)
5	SEE TAB. POS.5	-	CABLE CLAMP (BAND STEEL, ZINC-PLATED)
4	2	-	CATCH SPRING (STAINLESS STEEL, RAW)
3	SEE TAB. POS.3	-	BLIND PLATE (ZINC ALLOY, RAW)
2	1	-	COVER (ZINC ALLOY, RAW)
1	1	SEE TAB. POS.1	HOUSING (ZINC ALLOY, RAW)
SL NO.	QTY	PART NO.	DESCRIPTION (MATERIAL, FINISH)

THIS DRAWING IS A CONTROLLED DOCUMENT.		DWN KIRAN K 03AUG2016	TE Connectivity	
DIMENSIONS: mm		CHK GUNASEKHAR G 03AUG2016		
TOLERANCES UNLESS OTHERWISE SPECIFIED: DIN ISO 2768 m		APVD GUNASEKHAR G 03AUG2016	NAME FULL METAL HOODS SIZE 1	
0 PLC ± -		PRODUCT SPEC	SIZE CAGE CODE DRAWING NO RESTRICTED TO	
1 PLC ± -		APPLICATION SPEC	A2 00779 C=2308319 -	
2 PLC ± -		WEIGHT	CUSTOMER DRAWING SCALE NTS SHEET 1 of 1 REV A2	
3 PLC ± -				
4 PLC ± -				
ANGLES ± -				
FINISH				

单击下面可查看定价，库存，交付和生命周期等信息

[>>TE Connectivity\(泰科\)](#)