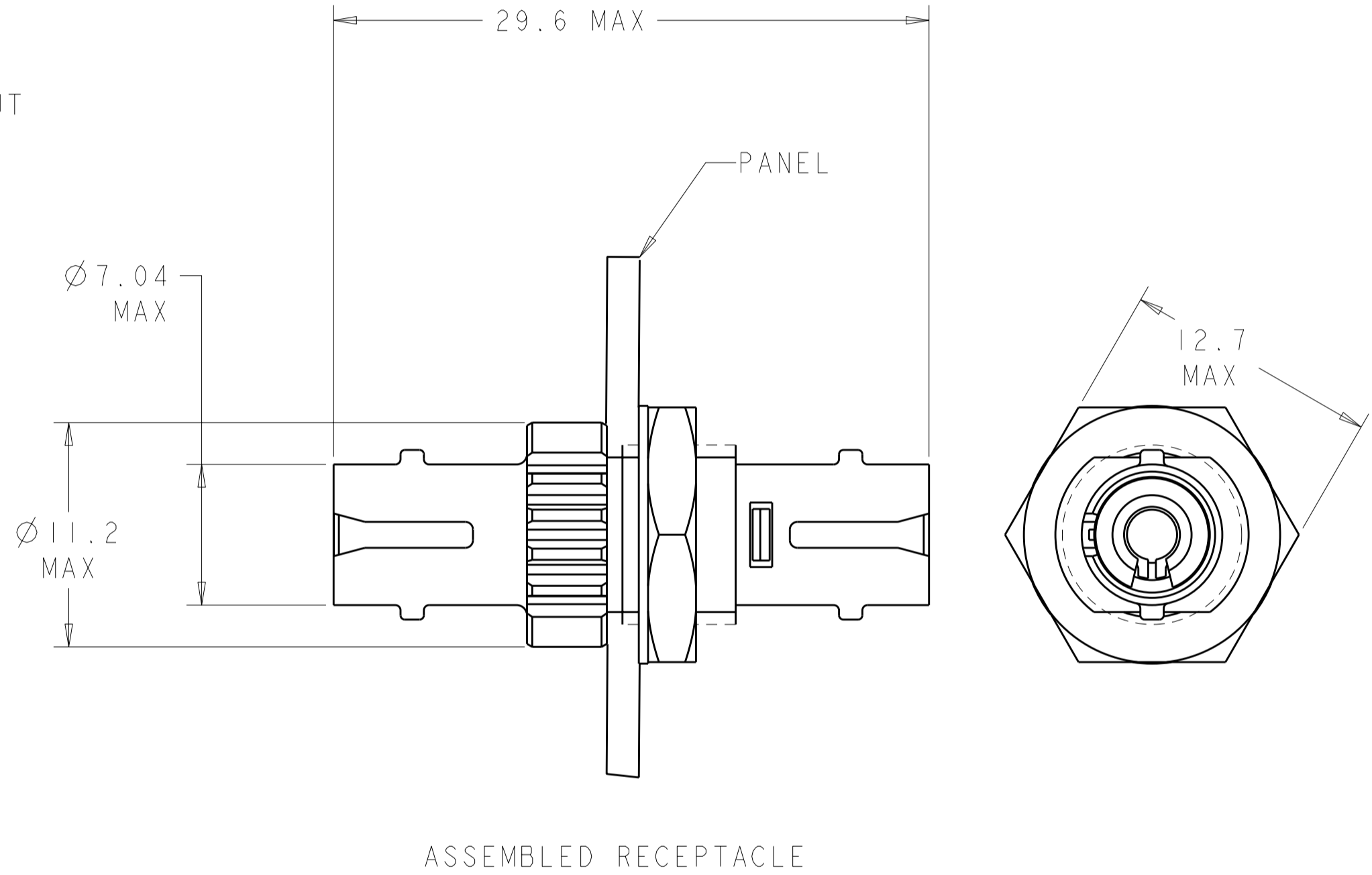
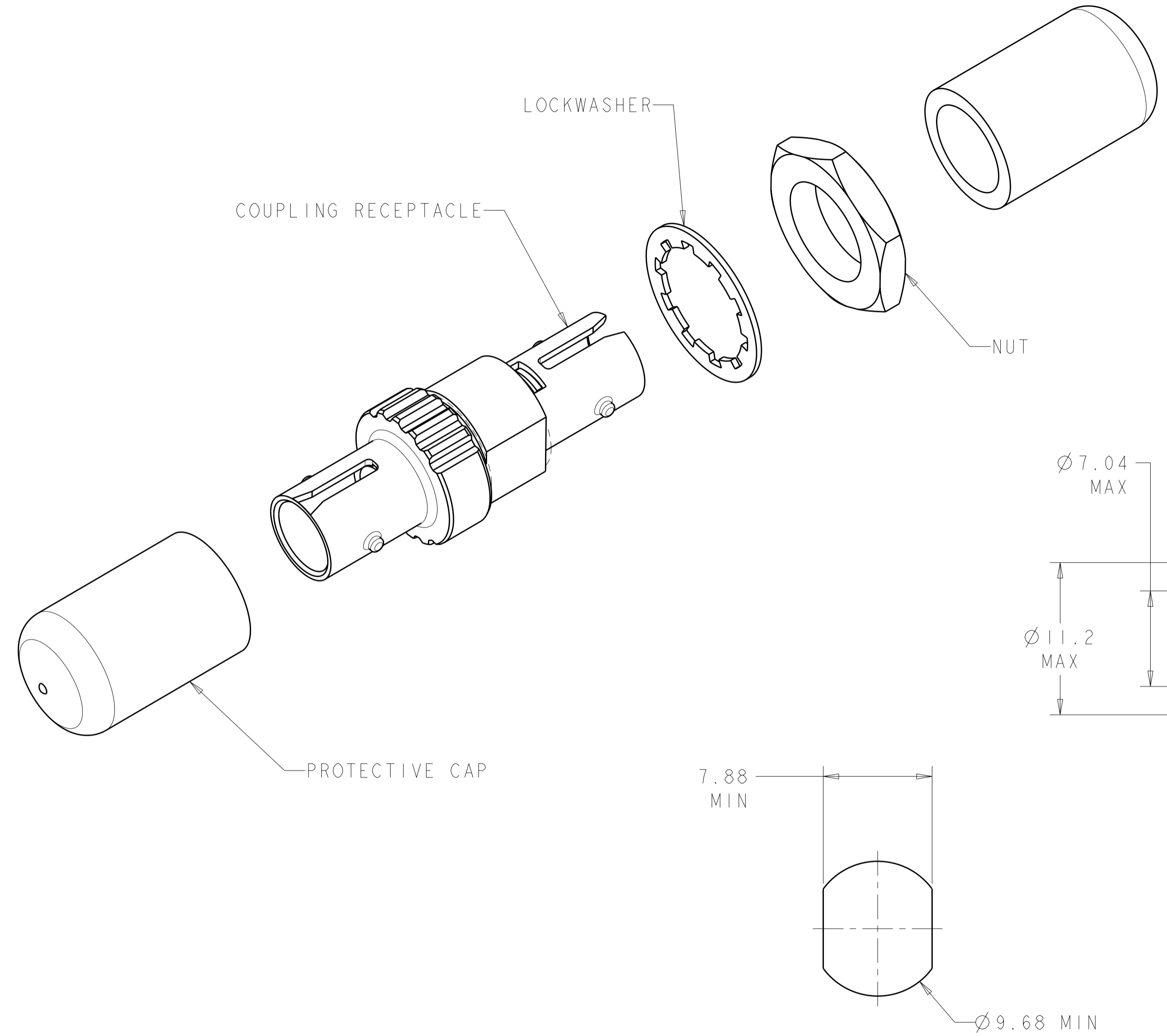


THIS DRAWING IS UNPUBLISHED. RELEASED FOR PUBLICATION 20  
 © COPYRIGHT 20 BY - ALL RIGHTS RESERVED.

LOC	DIST	REVISIONS			
P	LTR	DESCRIPTION	DATE	DWN	APVD
CE	00				
	EI	REVISED PER ECO-11-005027	14MAR2011	RK	HMR



SUGGESTED PANEL CUTOUT

1 MATERIAL:  
 PROTECTIVE CAP: VINYL  
 LOCKWASHER: STAINLESS STEEL  
 NUT: NICKEL PLATED BRASS  
 COUPLING RECEPTACLE  
 HOUSING: ZINC  
 RETAINER: PBT, COLOR: WHITE, UL94 V-0 RATED AT QUALIFYING THICKNESS.  
 SLEEVE: PPS-GF40, COLOR: BLACK, UL94 V-0 RATED AT QUALIFYING THICKNESS.

2 BULK PACKAGE.

501381-2
501381-1
PART NUMBER

THIS DRAWING IS A CONTROLLED DOCUMENT.		DWN B. BRIGGS 10MAY2005	TE Connectivity	
DIMENSIONS: mm		CHK S. BUCHTER 10MAY2005		
TOLERANCES UNLESS OTHERWISE SPECIFIED:		APVD S. BUCHTER 10MAY2005	NAME COUPLING RECEPTACLE KIT, 2.5mm BAYONET	
0 PLC ± 1 PLC ± 2 PLC ±0.13 3 PLC ± 4 PLC ± ANGLES ± FINISH		PRODUCT SPEC - APPLICATION SPEC -	SIZE A200779	DRAWING NO C-501381
MATERIAL		WEIGHT -	RESTRICTED TO -	
		CUSTOMER DRAWING	SCALE 4:1	SHEET OF REV E1

单击下面可查看定价，库存，交付和生命周期等信息

[>>TE Connectivity\(泰科\)](#)