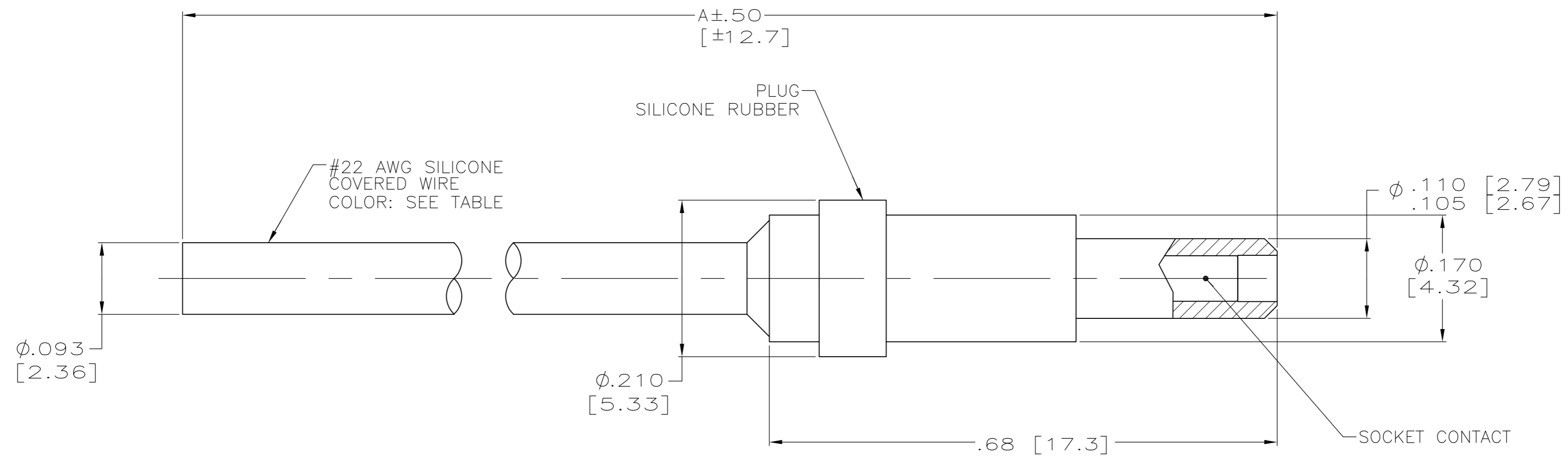


THIS DRAWING IS UNPUBLISHED. RELEASED FOR PUBLICATION
 © COPYRIGHT - By - ALL RIGHTS RESERVED.

LOC	DIST	REVISIONS					
DF	S0	P	LTR	DESCRIPTION	DATE	DWN	APVD
		F1		REVISED PER ECO-11-005030	11MAR11	RK	HMR



1. MARKED PER MIL-STD-130.
2. THIS PRODUCT IS RATED TO 125° C.

WHITE	40.00 [1016.0]	867823-6
WHITE	6.00 [152.4]	867823-5
WHITE	36.00 [914.4]	867823-4
GREEN	36.00 [914.4]	867823-3
WHITE	30.00 [762.0]	867823-2
WHITE	15.00 [381.0]	867823-1
WIRE COLOR	DIM A	PART NO.

THIS DRAWING IS A CONTROLLED DOCUMENT.		DWN	C.C.THOMAS	8-23-95		TE Connectivity		
DIMENSIONS: INCHES [mm]		CHK	D.EABY	8-28-95		NAME		
TOLERANCES UNLESS OTHERWISE SPECIFIED:		APVD	D.EABY	8-28-95		PLUG, MICRO-MIN, LGH		
0 PLC ± - 1 PLC ± - 2 PLC ± .03 [0.8] 3 PLC ± .015 [0.38] 4 PLC ± - ANGLES ± - FINISH -		PRODUCT SPEC	-			SIZE	A2	
MATERIAL	-	APPLICATION SPEC	-			CAGE CODE	00779	
-		WEIGHT	-			DRAWING NO	C=867823	
-		CUSTOMER DRAWING		SCALE	8:1	SHEET	1 of 1	
-		-		REV		F1		

867823

单击下面可查看定价，库存，交付和生命周期等信息

[>>TE Connectivity\(泰科\)](#)