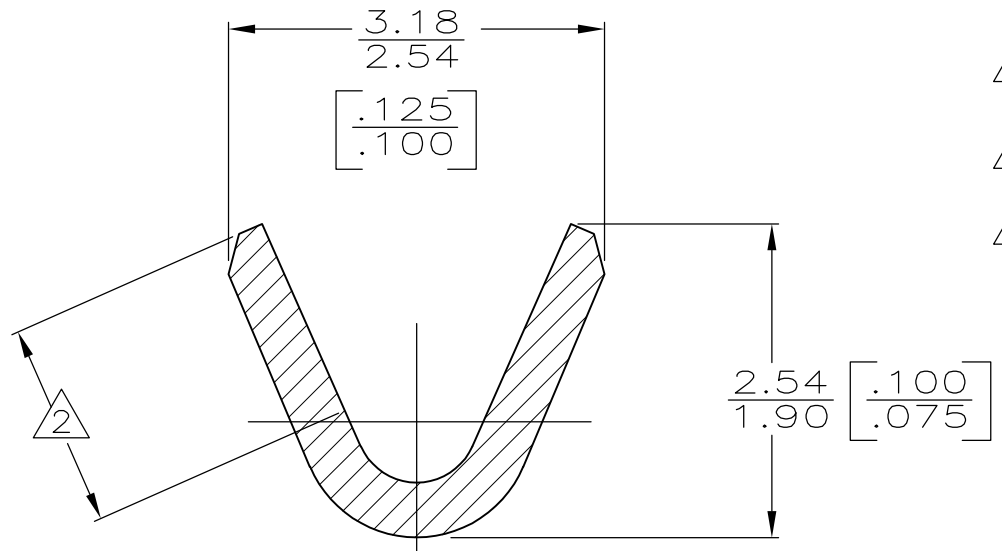
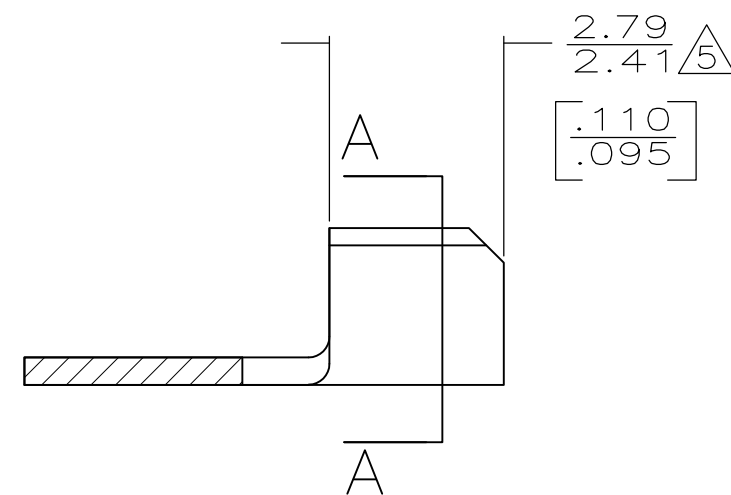
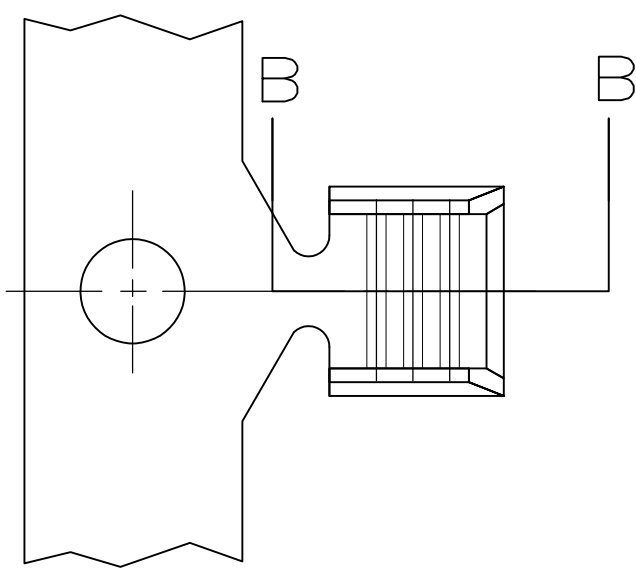
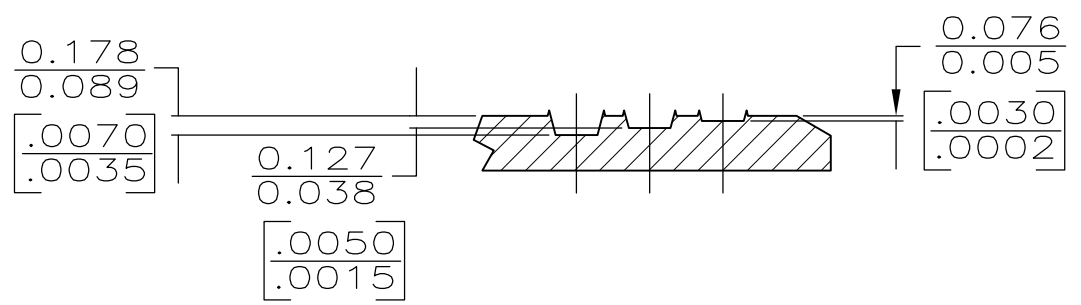


THIS DRAWING IS UNPUBLISHED. RELEASED FOR PUBLICATION
 © COPYRIGHT - By - ALL RIGHTS RESERVED.

LOC	DIST	REVISIONS					
AF	50	P	LTR	DESCRIPTION	DATE	DWN	APVD
		S1		REVISED PER ECR-14-007779	28MAY2014	GRZ	JL



SECTION A-A
SCALE 20:1



SECTION B-B
SCALE 20:1

- 1 CONTINUOUS STRIP ON REEL.
- 2 SERRATION DEPTH SHOULD BE MEASURED IN AN AREA FREE FROM FORMING.
- 3 0.00254 [.000100] MIN TIN PLATE.
- 4 0.0038 [.000015] MIN GOLD PLATE OVER 0.00127 [.000050] MIN NICKEL UNDERPLATE.
- 5 GOLD PLATE IS ON WIRE BARREL ONLY.
- 6 REELING: PLASTIC REELS.
- 7 PREPRODUCTION - FASR REQUIRED.
- 8 CRIMP WIDTH 1.78 [.070], F (AMPLIVAR TYPE)
 CRIMP HEIGHT ±0.05 [.002] = (TOTAL CMA + 5,000) / 129,000
 GENERAL APPLICATION GUIDELINES MUST BE FOLLOWED AS SPECIFIED IN CATALOG #82221
 FOR APPLICATOR INFO CALL, 1-800-722-1111
 FOR PRODUCT INFO CALL, 1-800-522-6752

	3	REVERSE		7	62194-6
		TIN PLATE	STANDARD	6	62194-5
	5 4	STANDARD			62194-4
OBSOLETE		REVERSE			62194-3
	3	TIN PLATE	STANDARD		62194-2
OBSOLETE					62194-1
		FINISH	REELING	WIRE RANGE	PART NO

THIS DRAWING IS A CONTROLLED DOCUMENT.		DWN PHIL FORTNEY 7/27/93	TE Connectivity				
DIMENSIONS: INCHES		CHK MS FEHER 7/27/93					
TOLERANCES UNLESS OTHERWISE SPECIFIED:		APVD D SCHWENK 7/27/93	NAME SPLICE, AMPLIVAR™ MINIATURE				
0 PLC ± - 1 PLC ± - 2 PLC ± 0.25 [.010] 3 PLC ± - 4 PLC ± - ANGLES ± -		PRODUCT SPEC -	-				
MATERIAL BRASS		FINISH SEE TABLE	APPLICATION SPEC -	SIZE A3	CAGE CODE 00779	DRAWING NO C-62194	RESTRICTED TO -
CUSTOMER DRAWING			WEIGHT -	SCALE 10:1	SHEET 1 OF 1	REV S1	

单击下面可查看定价，库存，交付和生命周期等信息

[>>TE Connectivity\(泰科\)](#)