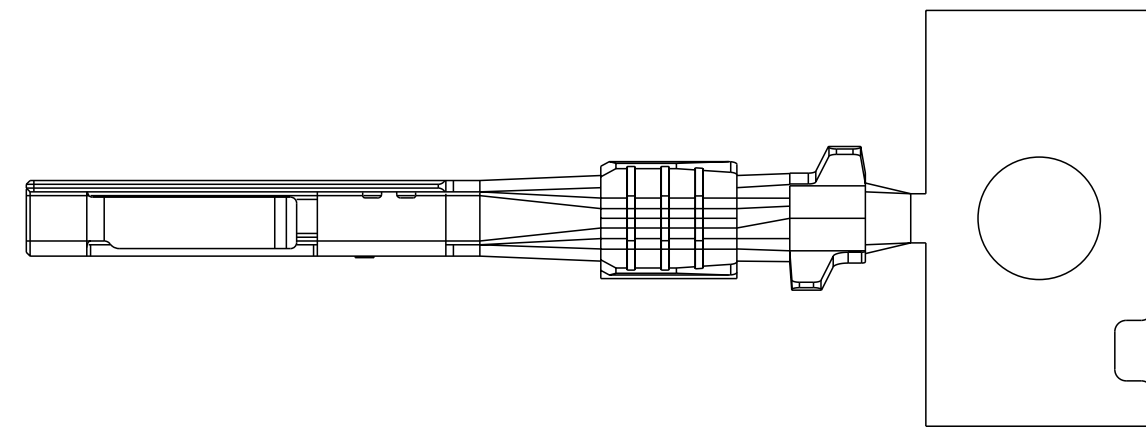
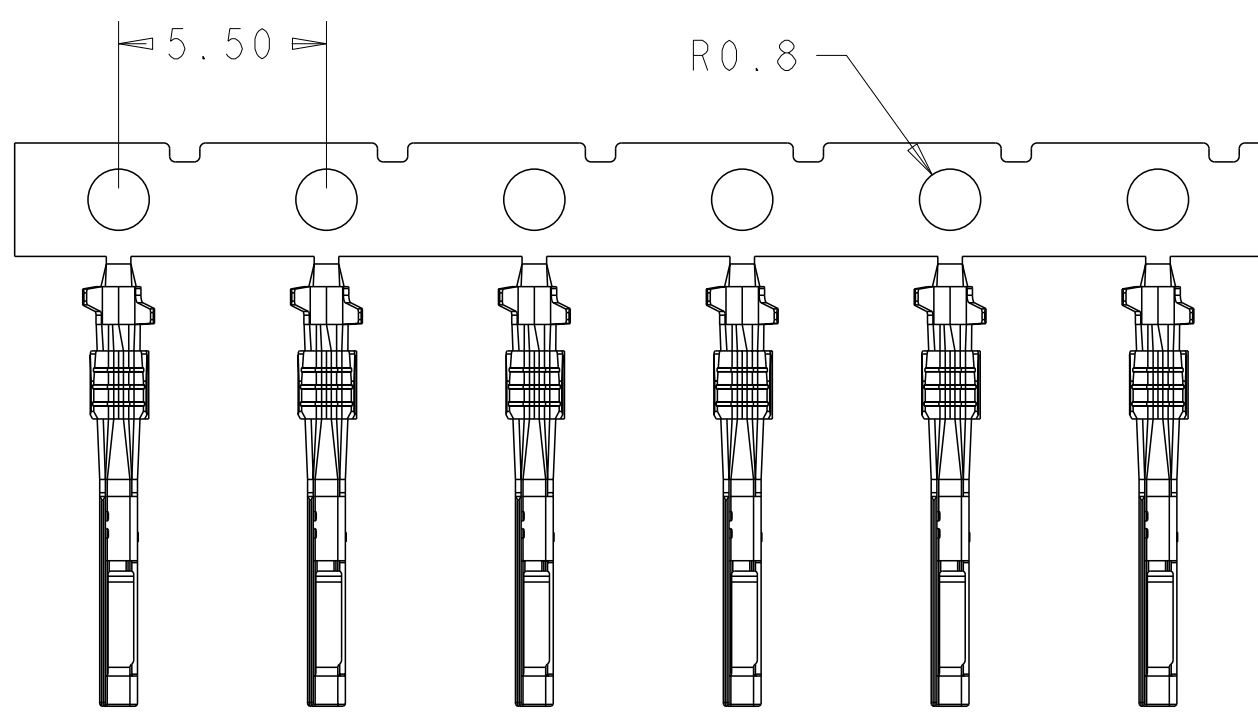
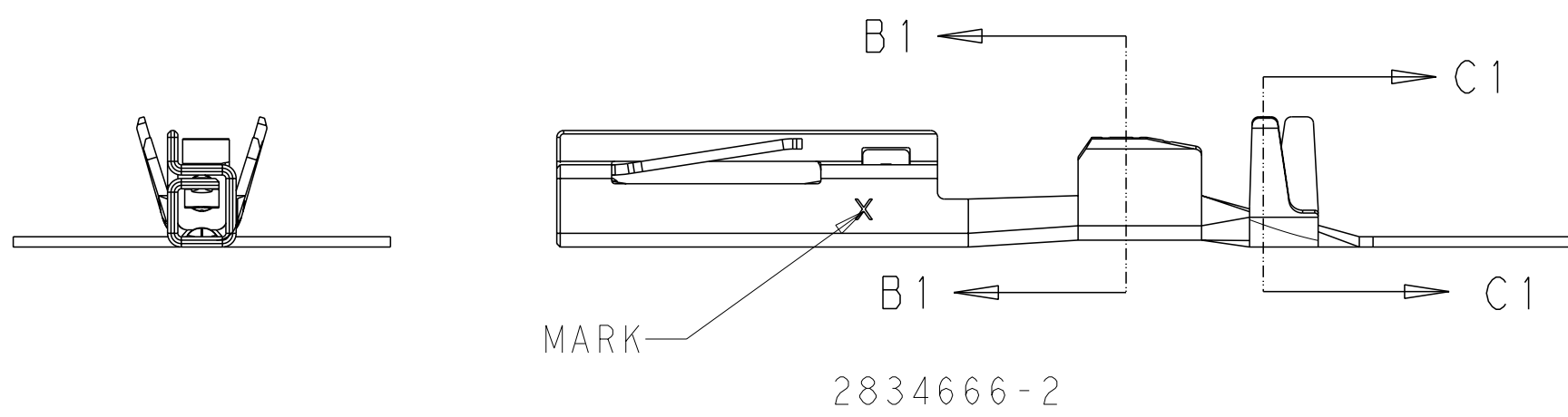
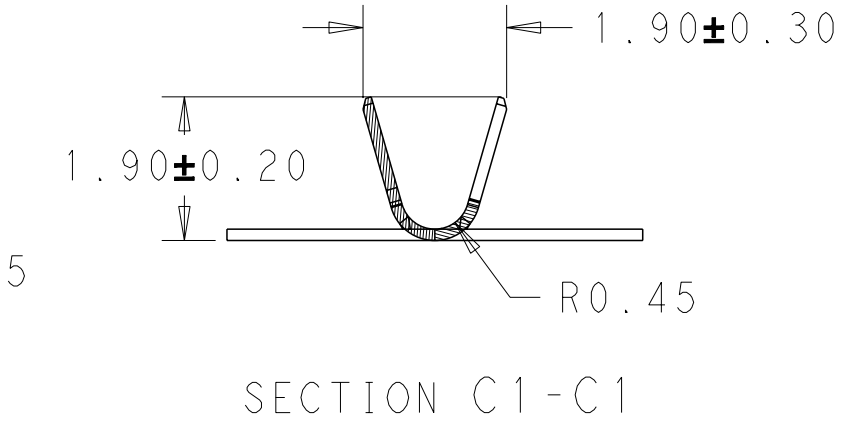
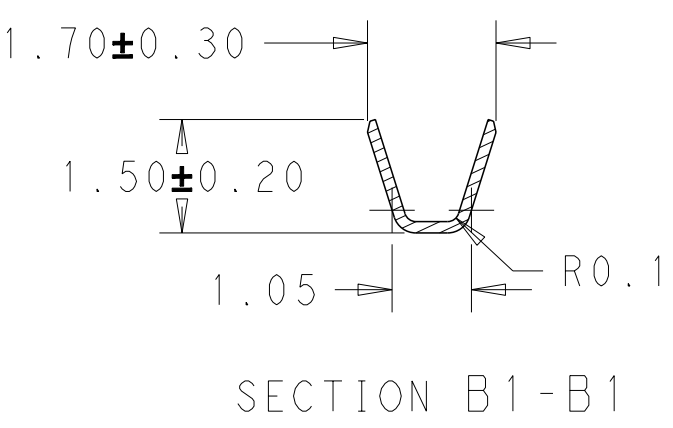
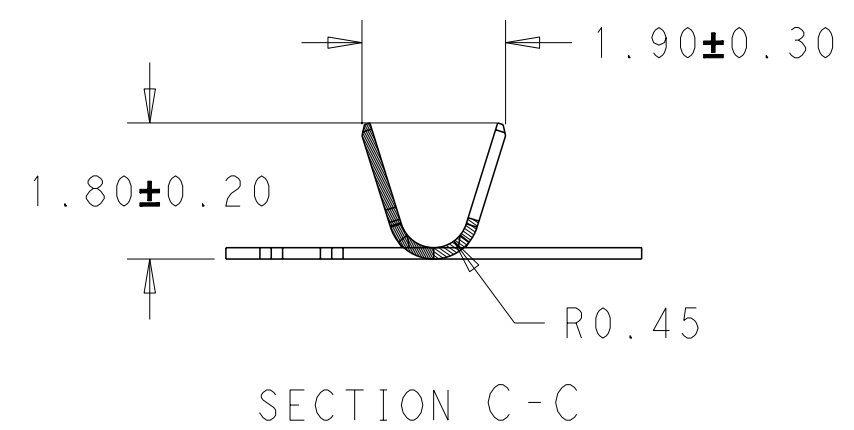
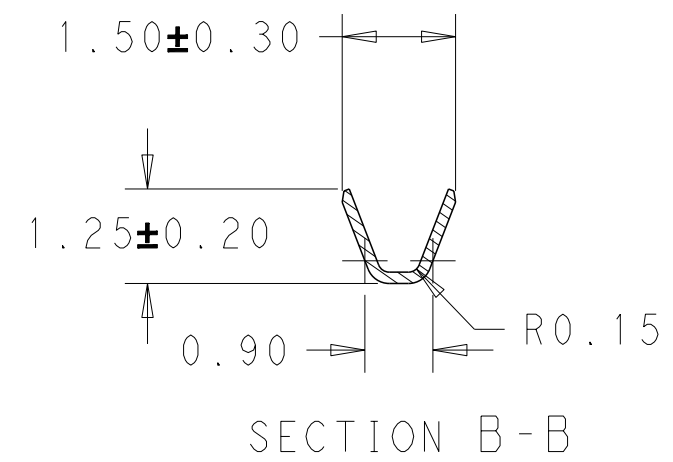
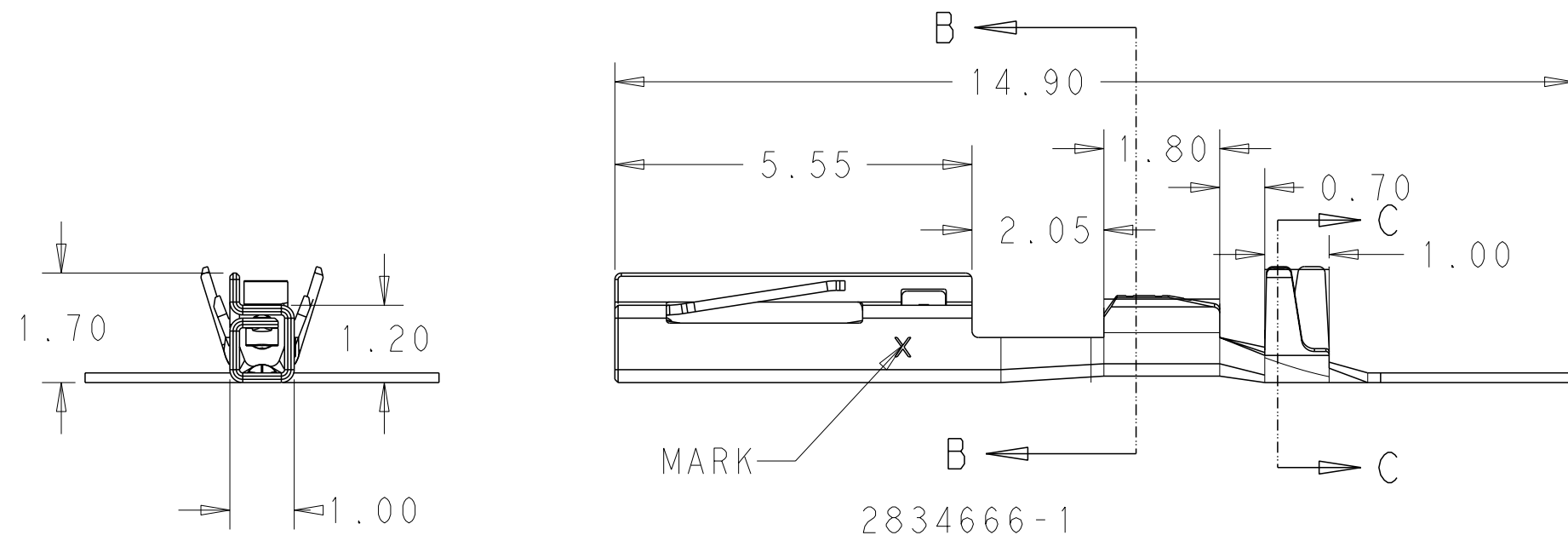


P	LTR	DESCRIPTION	DATE	DWN	APVD
A		ECN-24-284732	14SEP2024	F.F	M.S



NOTE:

1. MATERIAL: COPPER ALLOY
THICKNESS: 0.15MM
2. PLATING:
PRE TIN OVERALL
3. PART NUMBER ABBREVIATION AS MARK SHOWN
4. PACKAGED IN REEL INSIDE OF CARTON.



0.95...1.30 mm	0.22...0.35 mm ²	Pre_Tin	2	2834666-2
0.85...1.10 mm	0.13...0.17 mm ²	Pre_Tin	1	2834666-1
INSUL.DIA ISOØ	WIRE-SIZE DGB	FINISH	MARK	PART NO.

THIS DRAWING IS A CONTROLLED DOCUMENT.

DWN	FRANK FAN	23JAN2024
CHK	GEORGE FU	23JAN2024
APVD	MING SHI	23JAN2024

TE Connectivity

DYNAMIC ULTRA TERMINAL

SIZE	CAGE CODE	DRAWING NO	RESTRICTED TO
A2	00779	C-2834666	-

SCALE 7:1 SHEET 1 OF 1 REV A

Printed on 14 Sep 2024 11:23 (China Standard Time) from IE310617

单击下面可查看定价，库存，交付和生命周期等信息

[>>TE Connectivity\(泰科\)](#)