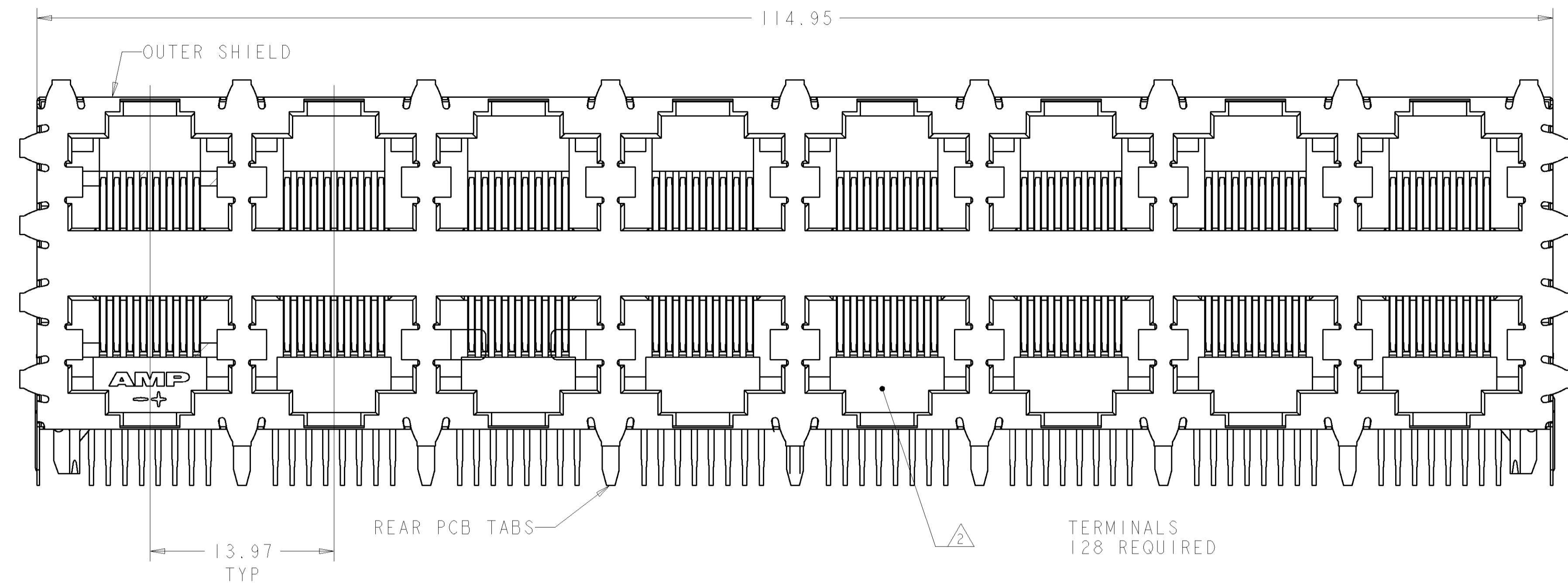
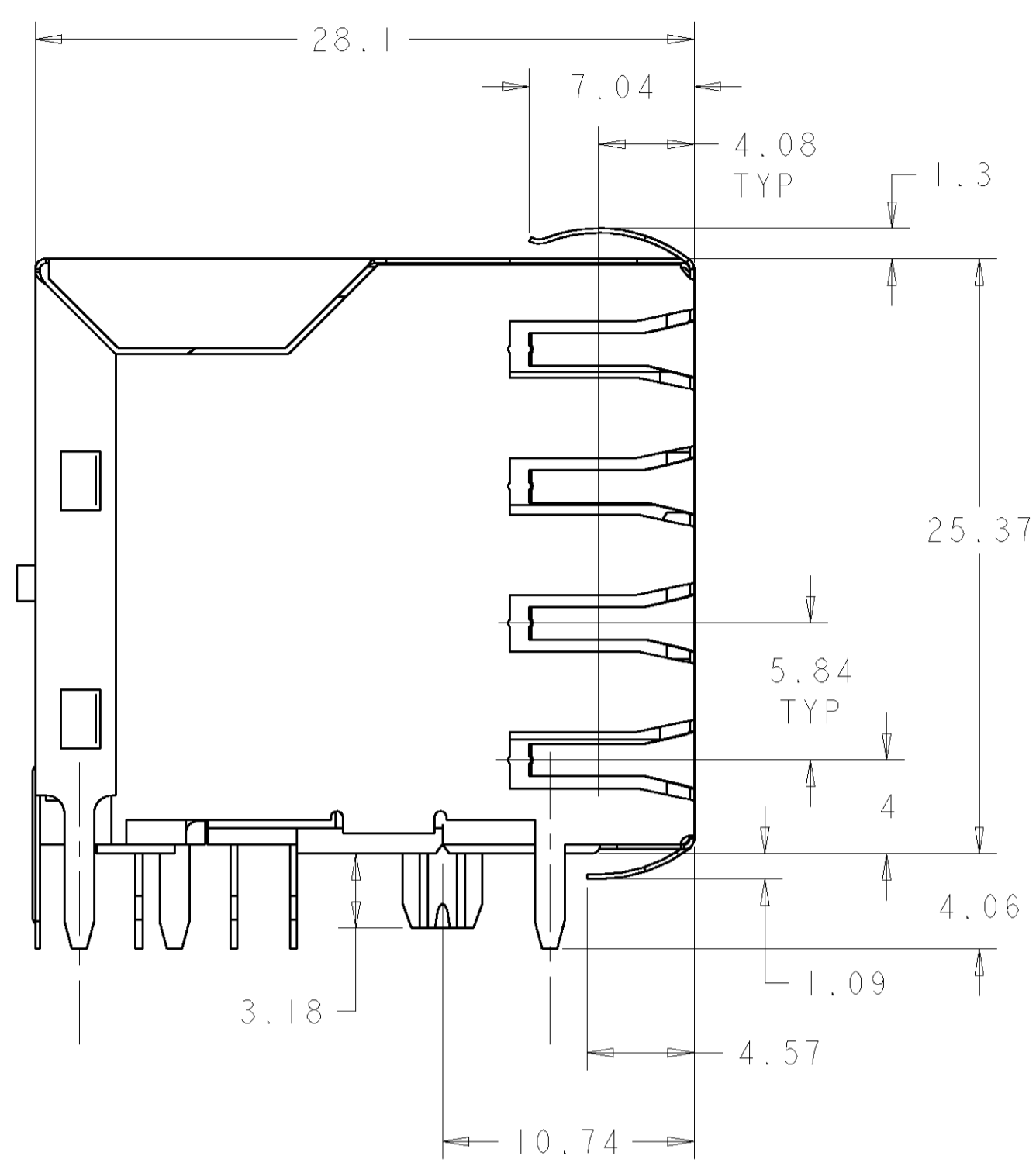
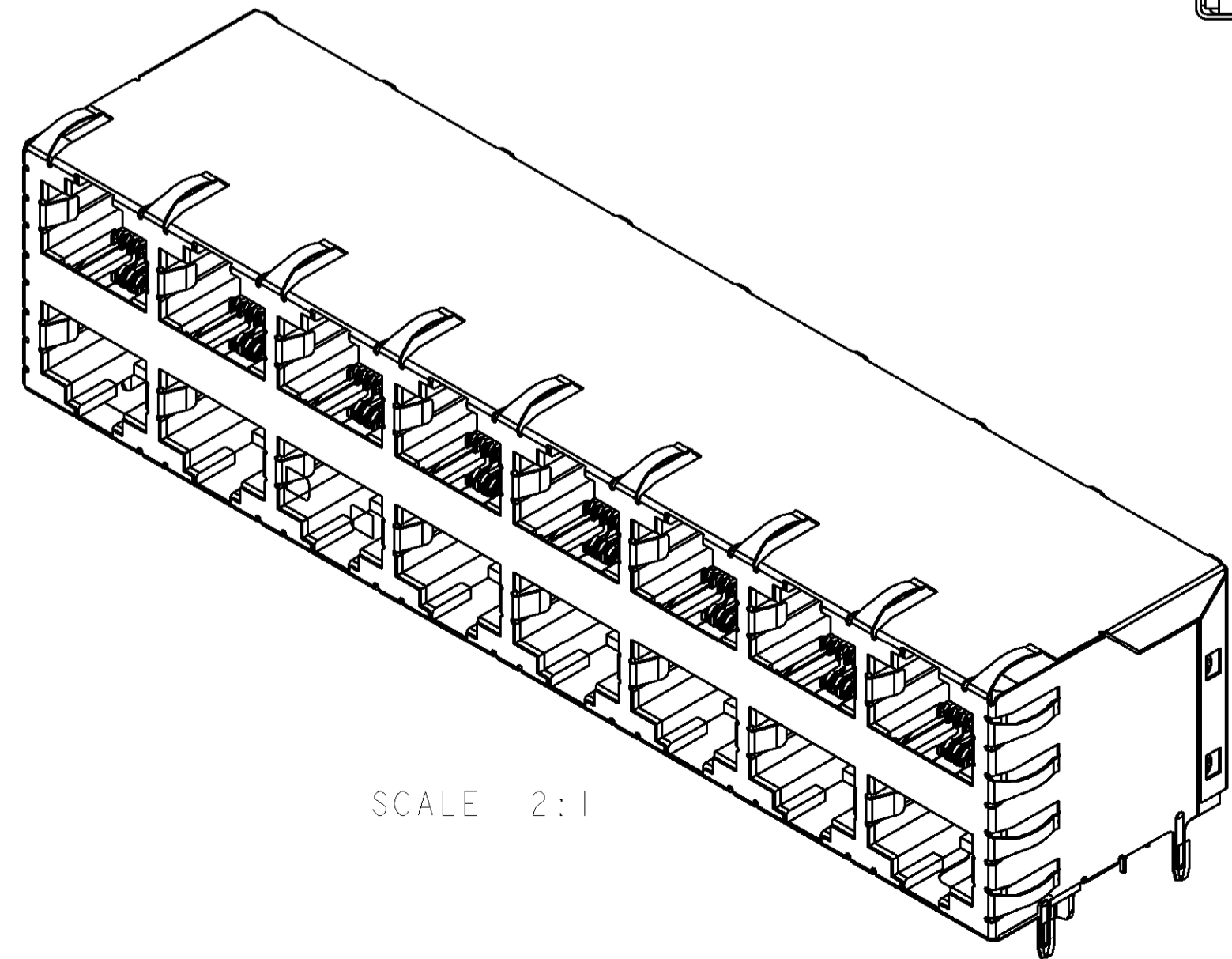
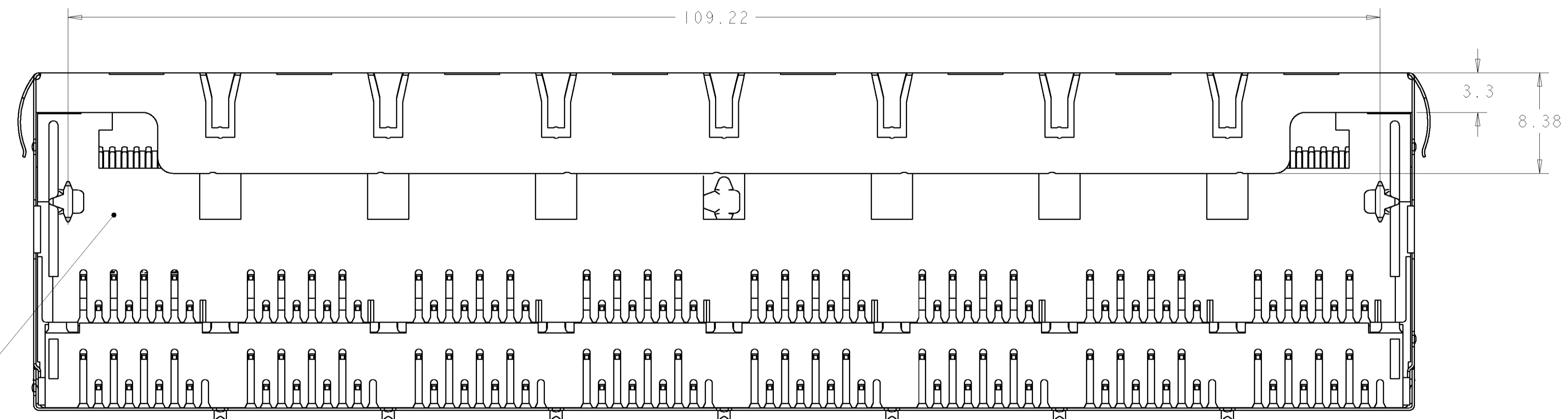


LOC		DIST		REVISIONS			
P	LTR	DESCRIPTION	DATE	DRN	APPD		
A		REV PER ECOS11-0201-04	21JUN2005	GA	SF		
B		REV PER ECO-07-004583	02MAR2007	RG	JW		
B1		REVISED PER ECO-10-000445	11JAN10	KK	AEG		



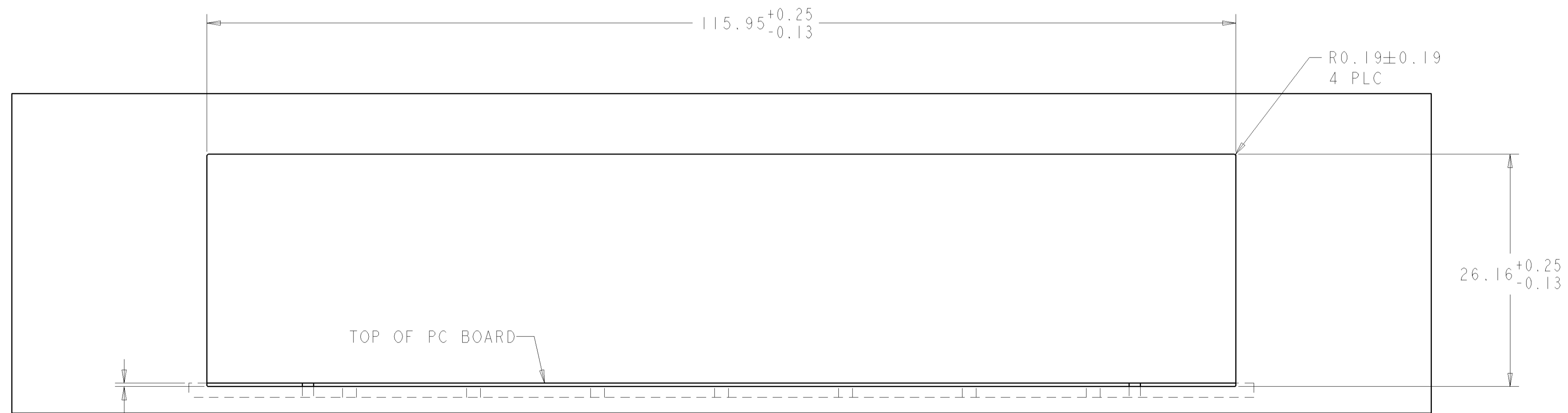
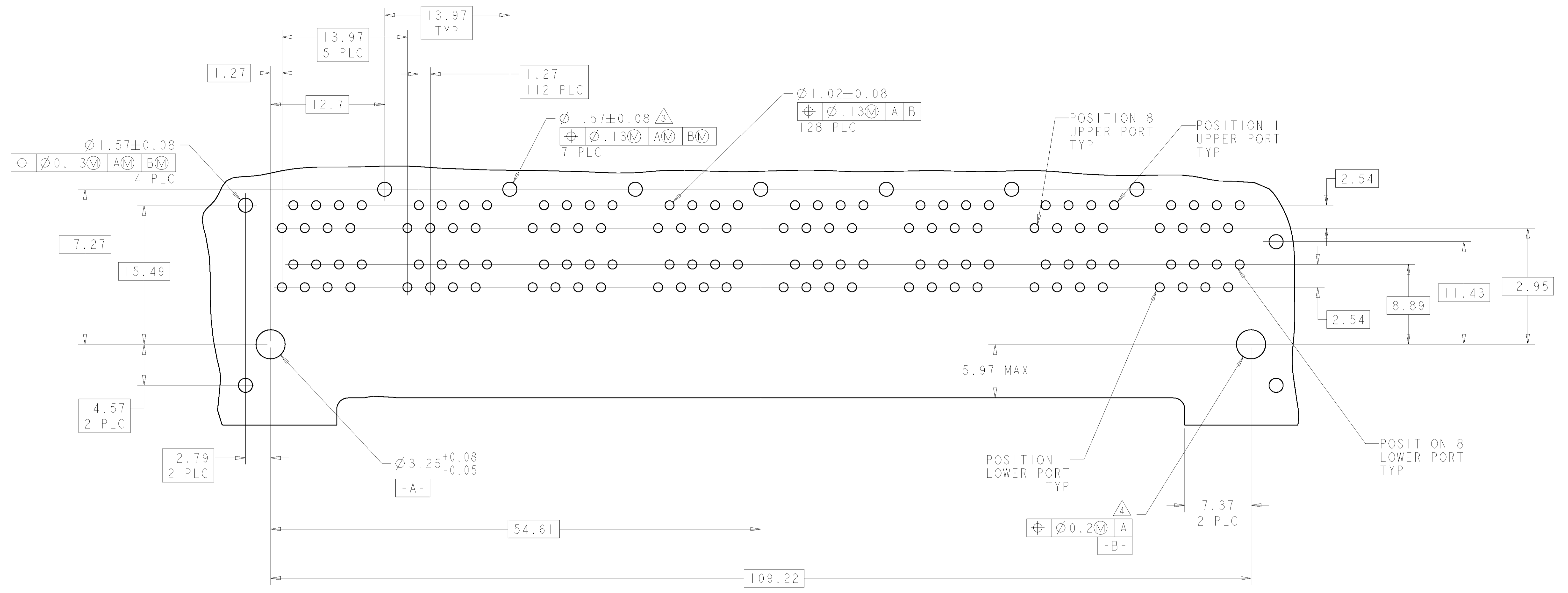
- △ HOUSING: PCT POLYESTER, BLACK, UL 94V-0. IR REFLOW PROCESS COMPATIBLE
- TERMINALS: 0.305 THICK PHOS BRONZE PLATED WITH 1.27µm MINIMUM THICK HARD GOLD IN LOCALIZED AREA AND 2.03µm MINIMUM THICK MATTE TIN IN SOLDER AREA OVER 1.27µm MINIMUM THICK NICKEL UNDERPLATE.
- SHIELD: 0.196 THICK COPPER ALLOY PLATED WITH 1.27µm MINIMUM NICKEL AND 2.03µm MINIMUM HOT TIN DIP ON PCB GROUND TABS.
- △ JACK CAVITY CONFORMS TO FCC RULES AND REGULATIONS, PART 68 SUBPART F
- △ PCB HOLES ONLY REQUIRED FOR 6339170-1
- △ USE #30 DRILL BIT OR 3.25mm DRILL BIT WHEN PRODUCING THESE PCB HOLES
- 5. RECOMMENDED APPLICATIONS: FAST ETHERNET, AND 10/100 BASE-T ETHERNET (CAT 5 TWO PAIR 1/2, 3/6)
- △ OBSOLETE PARTS: OBSOLETE CIS STREAMLINING PER D.RENAUD/D.SINISI



6 OBSOLETE	NONE	6339170-2
	7	6339170-1
	NUMBER OF REAR PCB TABS	PART NO.

DIMENSIONS:		TOLERANCES UNLESS OTHERWISE SPECIFIED:		DWN G. ATTADIA 21JUN2005		AMP Incorporated	
mm		0 PLC ±.25		CHK J. WESTMAN 21JUN2005		Harrisburg, PA 17105-3608	
Ø		1 PLC ±.25		APPD S. FLICKINGER 21JUN2005		NAME	
H		2 PLC ±.25		PRODUCT SPEC		ASSEMBLY, STACKED JACK, 2X8,	
D		3 PLC ±.25		APPLICATION SPEC		8 POSITION, SHIELDED,	
R		4 PLC ±.25		SIZE CAGE CODE DRAWING NO		WAVE PANEL GROUND	
A		ANGLES ±.25		114-2048		RESTRICTED TO	
FINISH		MATERIAL		WEIGHT		A100779C=6339170	
△		△		CUSTOMER DRAWING		SCALE 4:1 SHEET 1 OF 2 REV B1	

LOC	DIST	REV	DATE	BY	APPD
AA	22				



DIMENSIONS:		TOLERANCES UNLESS OTHERWISE SPECIFIED:		DWN		REV	
mm		0 PLC	±.25	AS	ATTAD1A	21 JUN 2005	1
		1 PLC	±.25	ENR	J. WESTMAN	21 JUN 2005	2
		2 PLC	±.25	APPD	S. FLICKINGER	21 JUN 2005	3
		3 PLC	±.25				
		4 PLC	±.25				
		ANGLES	±.5				
MATERIAL	FINISH	WEIGHT		SIZE	CAGE CODE	DRAWING NO	RESTRICTED TO
				A	100779	6339170	
CUSTOMER DRAWING				SCALE	4:1	SHEET	2 OF 2
				REV			B1

单击下面可查看定价，库存，交付和生命周期等信息

[>>TE Connectivity\(泰科\)](#)