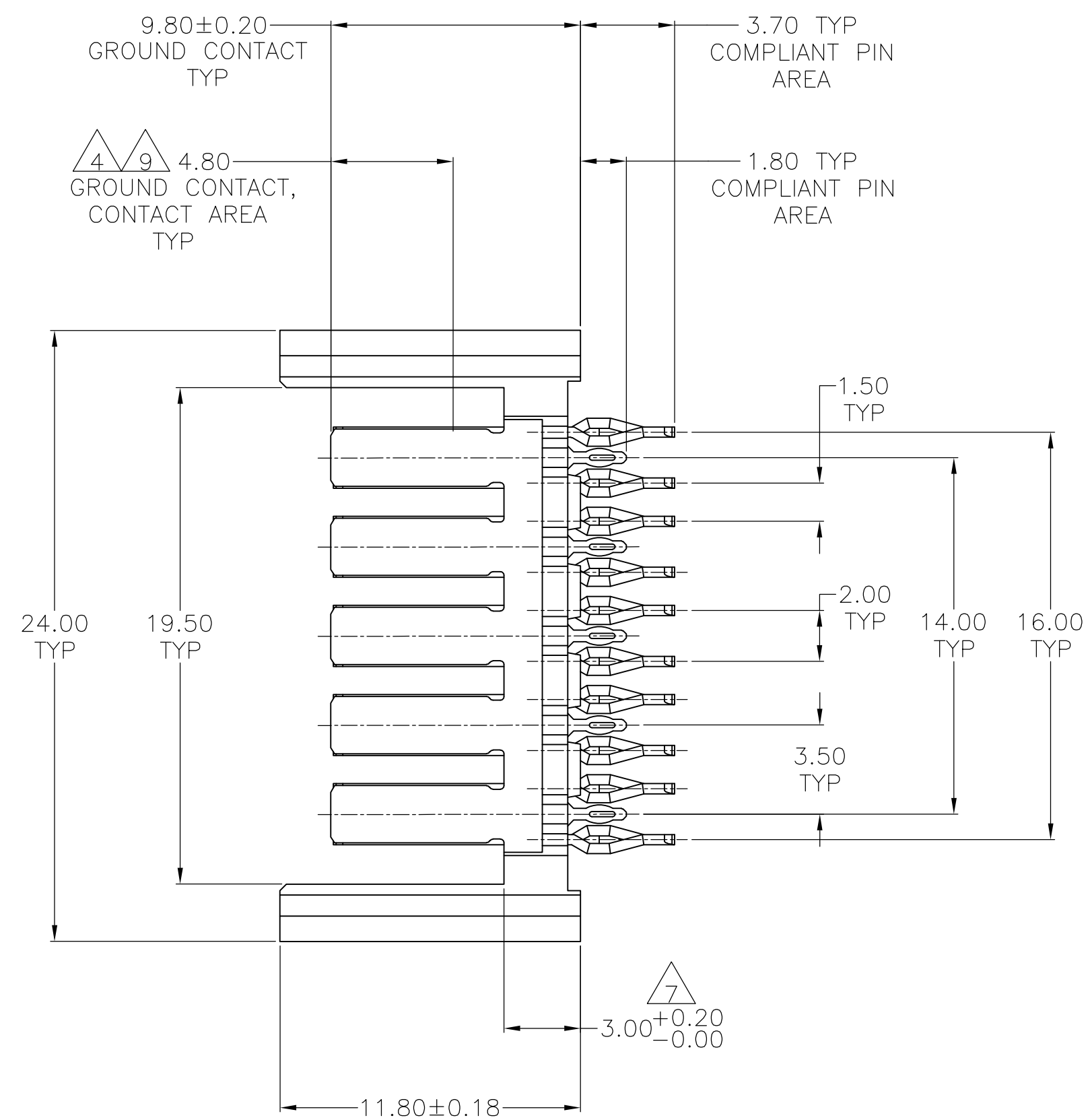
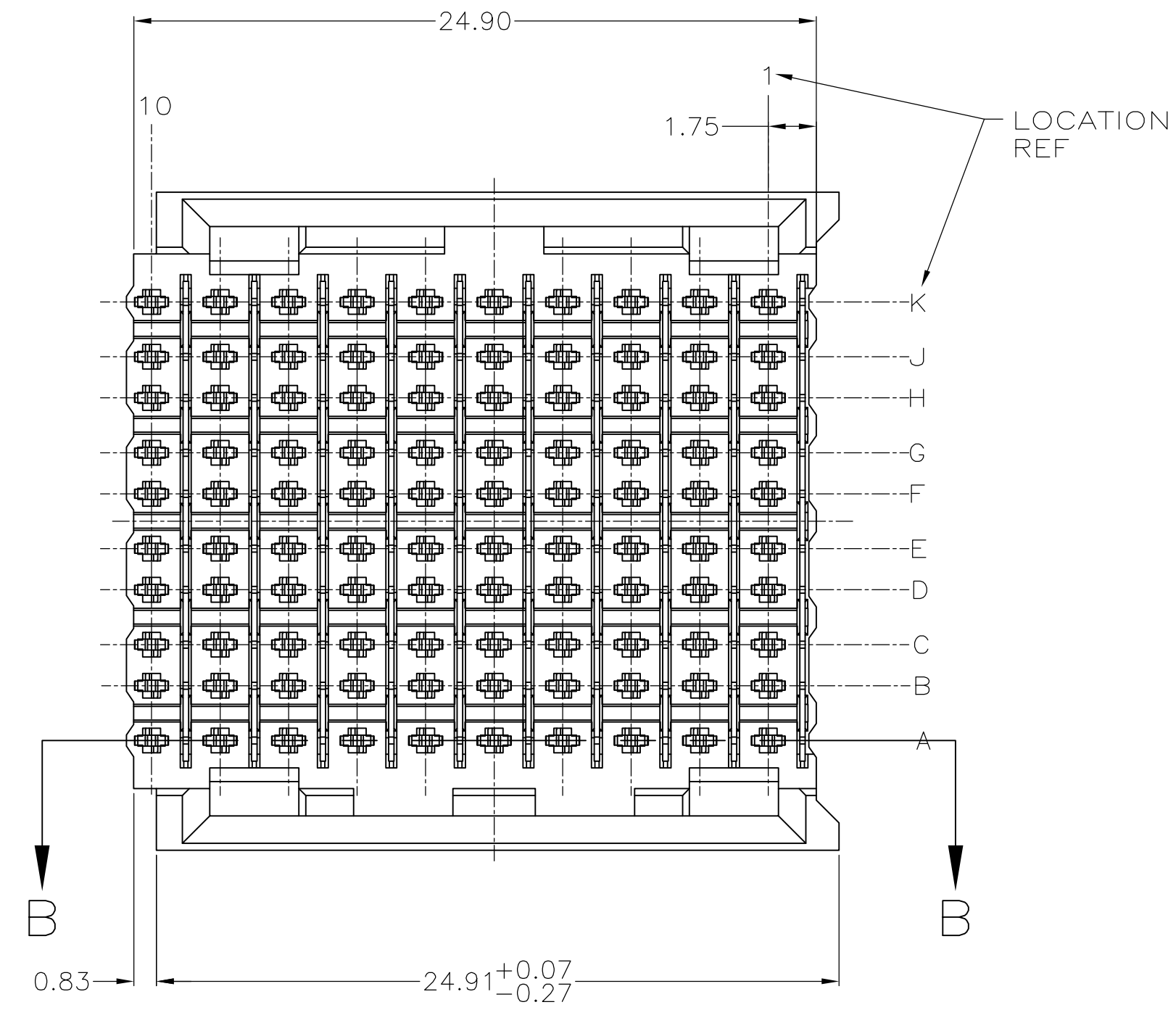
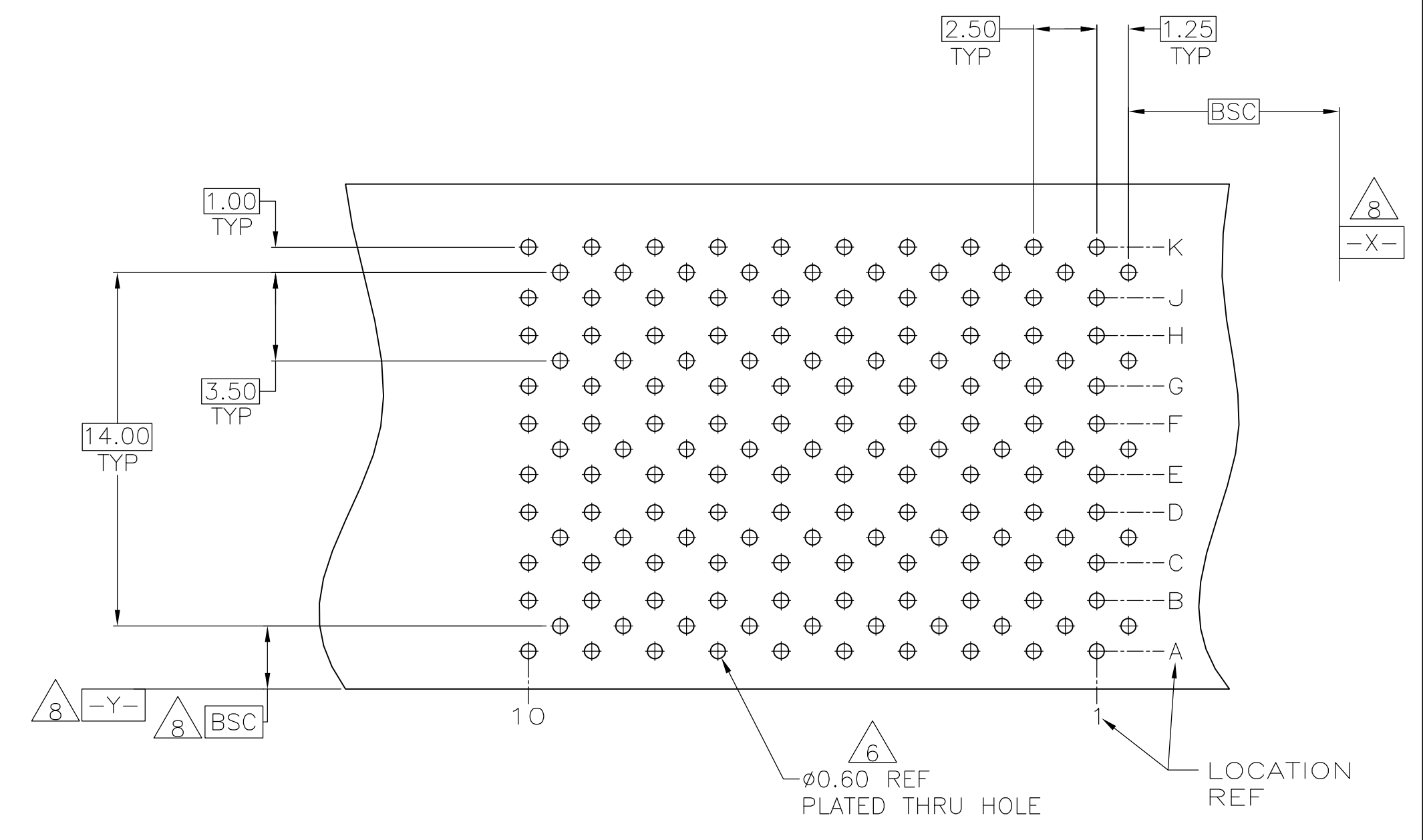


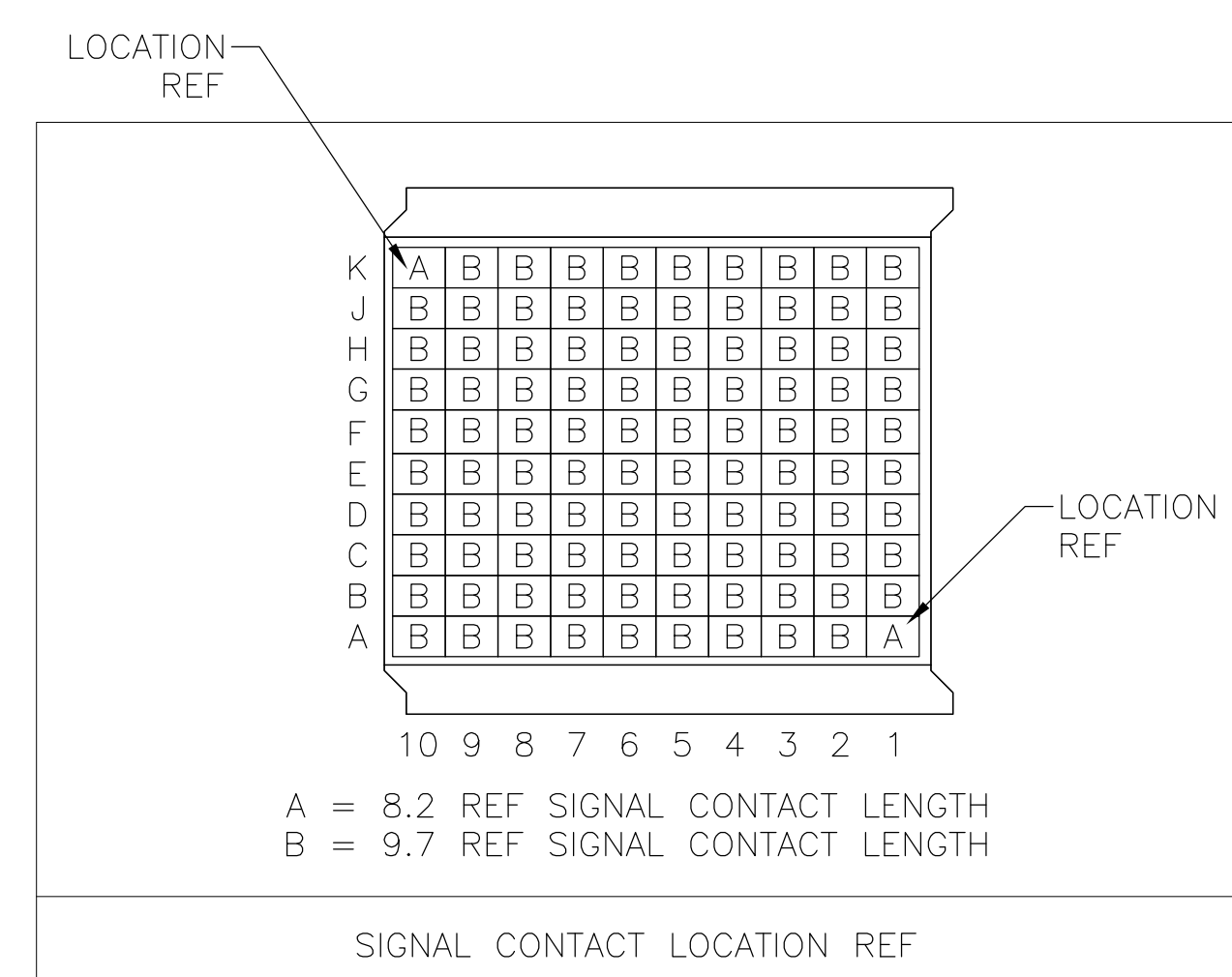
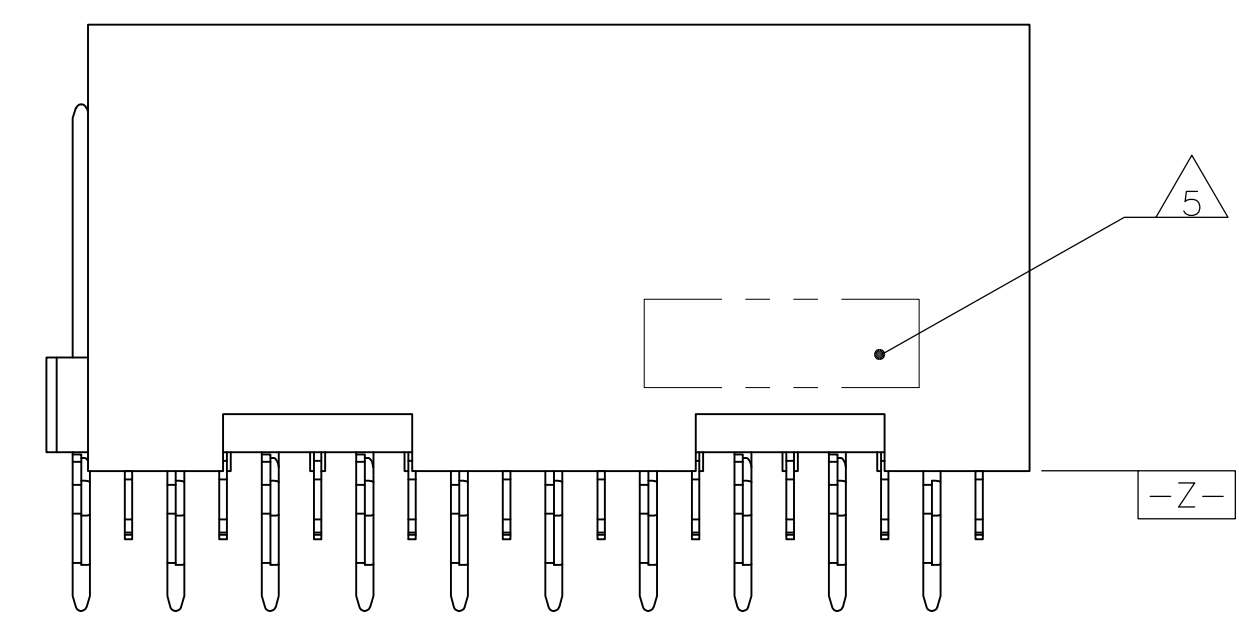
SECTION B-B



- 2 PHOSPHOR BRONZE
- 3 LCP, UL94V-0
- 4 FINISH: CONTACT MATING AREA MEETS THE PERFORMANCE REQUIREMENTS OF TE CONNECTIVITY PRODUCT SPECIFICATION 108-1957; BASED ON TELCORDIA GR-1217-CORE, APPLICATIONS IN UNCONTROLLED ENVIRONMENTS. COMPLIANT PIN AREA: 0.5µm MIN BRIGHT TIN-LEAD OVER BASE PLATING.
- 5 CONNECTOR MARKED WITH PART NUMBER AND DATE CODE
- 6 REFERENCE APPLICATION SPEC 114-13020 FOR RECOMMENDED PLATED THRU HOLE DIAMETER AND PLATING THICKNESS.
- 7 APPLICATION SEATING HEIGHT TO PRINTED CIRCUIT BOARD
- 8 DATUMS AND BASIC DIMENSIONS ESTABLISHED BY CUSTOMER
- 9 CONTACT AREA LUBRICATED WITH BELLCORE APPROVED LUBRICANT TECHNICAL REFERENCE: GR-1217-CORE, ISSUE 1, NOVEMBER 1995



RECOMMENDED PRINTED CIRCUIT BOARD LAYOUT  
COMPONENT SIDE OF PRINTED CIRCUIT BOARD



ROW A: 2-10 ROWS B-J ROW K: 1-9	ROW A: 1 ROW K: 10	5120952-1
SIGNAL CONTACT TYPE B QTY: 98	SIGNAL CONTACT TYPE A QTY: 2	PART NUMBER

THIS DRAWING IS A CONTROLLED DOCUMENT.		DIN B CARDO 25JUL05	<b>STE</b> TE Connectivity	
DIMENSIONS: mm		CIK R PATTERSON 25JUL05		
TOLERANCES UNLESS OTHERWISE SPECIFIED:		APVD R PATTERSON 25JUL05	NAME	
0 PLC ± -		PRODUCT SPEC		
1 PLC ± -		APPLICATION SPEC		
2 PLC ± 0.13		SIZE		
3 PLC ± 0.05		CAGE CODE		
4 PLC ± -		DRAWING NO		
ANGLES ± -		RESTRICTED TO		
FINISH		WEIGHT		
HOUSING: 2		A1 00779 C=5120952		
CONTACT: 2		CUSTOMER DRAWING		
SIGNAL CONTACT: 4		SCALE 5:1 SHEET 1 OF 1 REV B		

单击下面可查看定价，库存，交付和生命周期等信息

[>>TE Connectivity\(泰科\)](#)