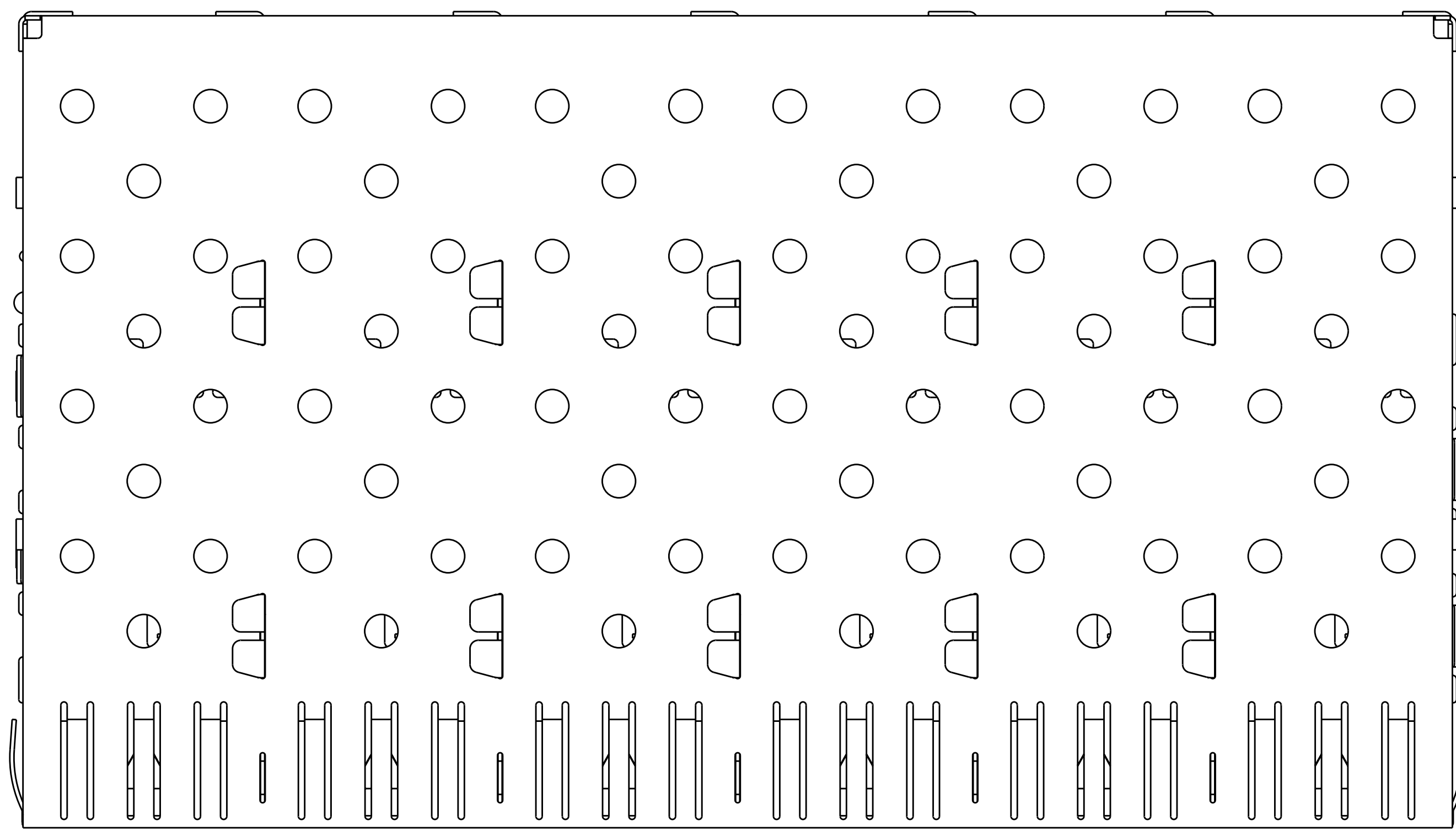
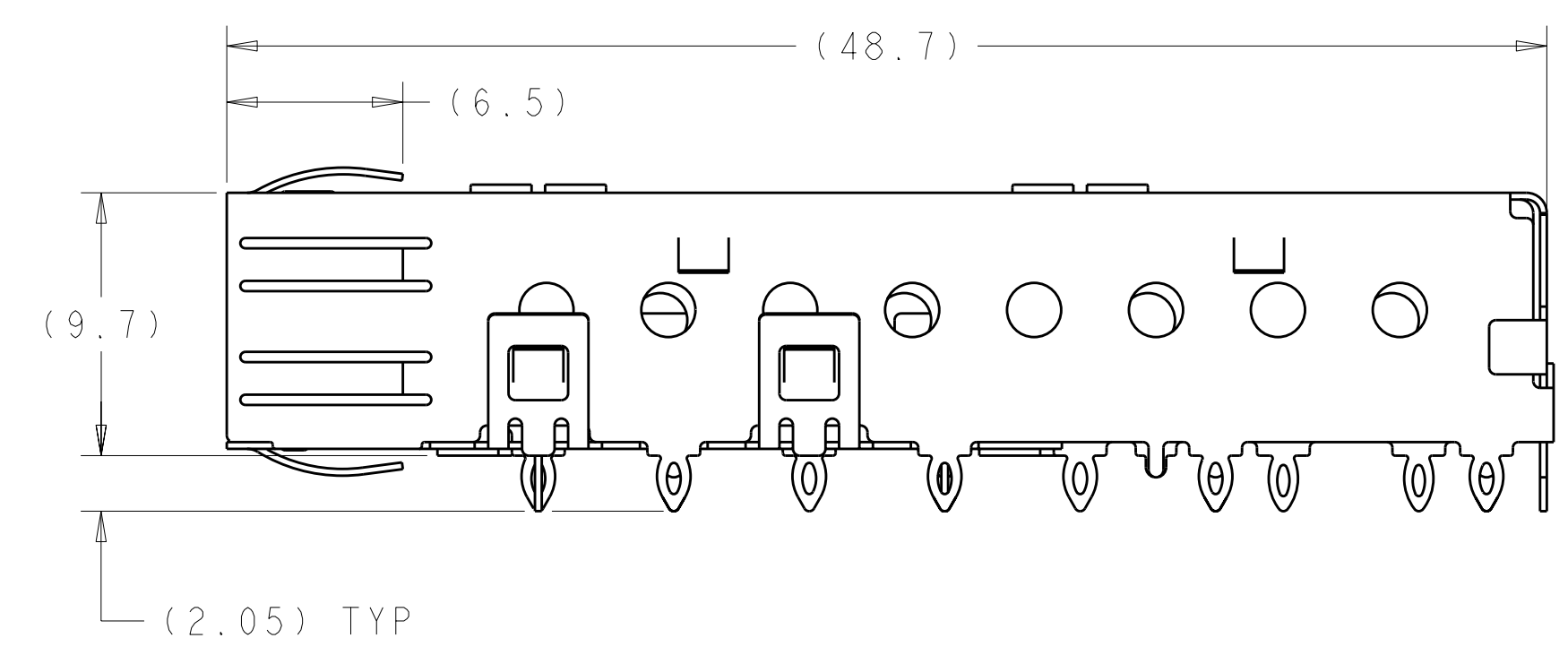
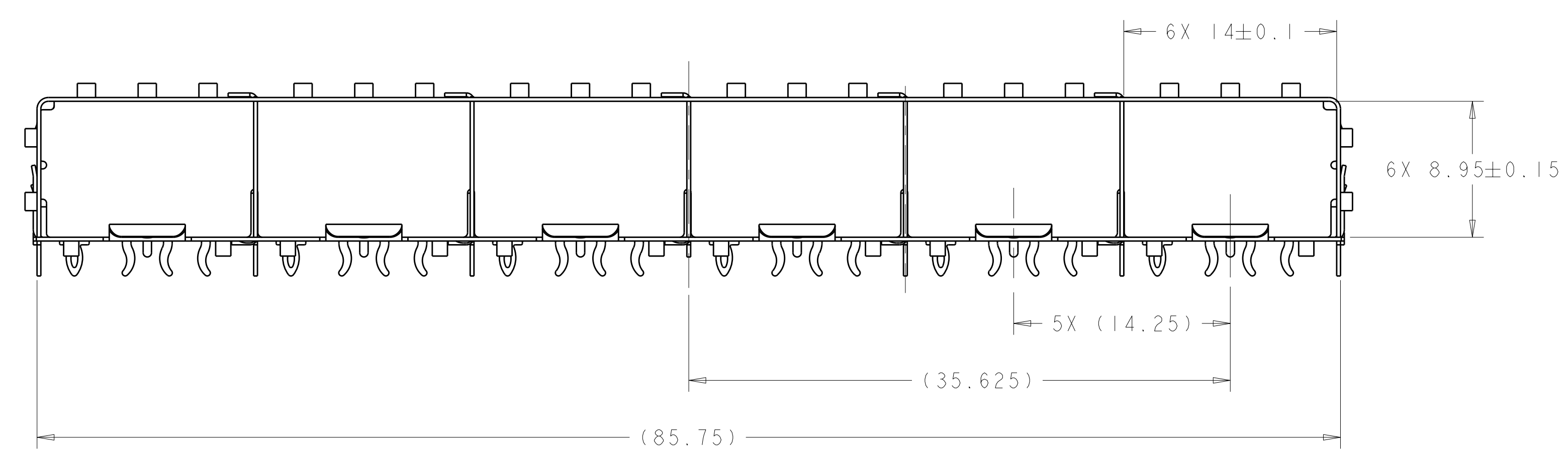


LOC	DIST	REVISIONS			
GP	00	REV	DATE	BY	APPD
		A	07DEC2011	JY	AC

- △ MATERIAL: CAGE ASSEMBLY: 0.25mm THICK NICKEL SILVER ALLOY.
- 2. MATES WITH SFP MSA COMPLIANT TRANSCEIVERS.
- △ PADS AND VIAS CHASSIS GROUND.
- 4. INTERPRETATION OF DATUM REFERENCE FRAME IN ACCORDANCE WITH SECT 4.4.1.1 OF ASME Y14.5M-1994.
- △ MINIMUM PCB BOARD THICKNESS:
SINGLE SIDED = 1.50
DOUBLE SIDED = 2.25
- △ HOLE PATTERN REPEATS FOR EACH PORT. SPACING BETWEEN PORTS IS 14.25mm.
- △ DATUM AND BASIC DIMENSION ESTABLISHED BY CUSTOMER.
- △ REFERENCE APPLICATION SPEC. 114-13120, HOLE A, FOR RECOMMENDED DRILL HOLE DIAMETER AND PLATING THICKNESS.
- △ REFERENCE APPLICATION SPEC. 114-13120, HOLE B, FOR RECOMMENDED DRILL HOLE DIAMETER AND PLATING THICKNESS.
- 10. CERTAIN MATING TRANCEIVERS MAY REQUIRE ADDITIONAL PCB THICKNESS THAT WOULD BE DETERMINED BY THE CUSTOMER.



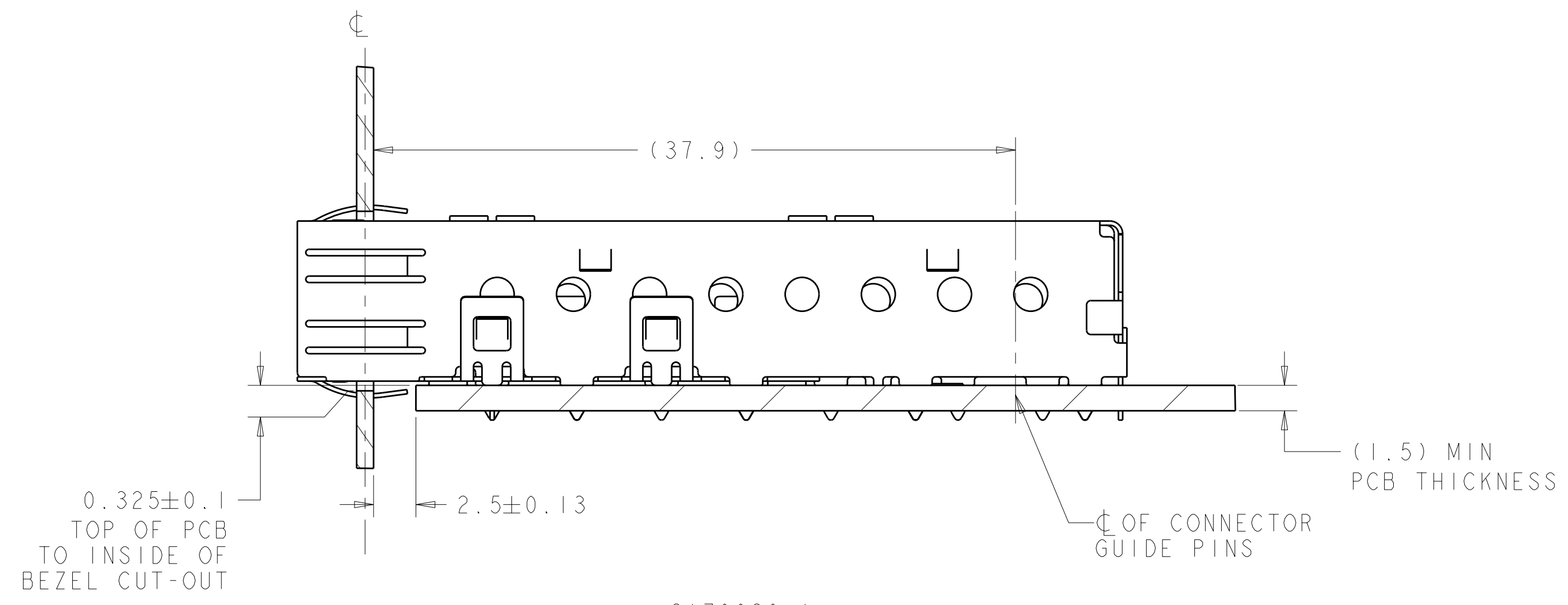
SCALE 4:1



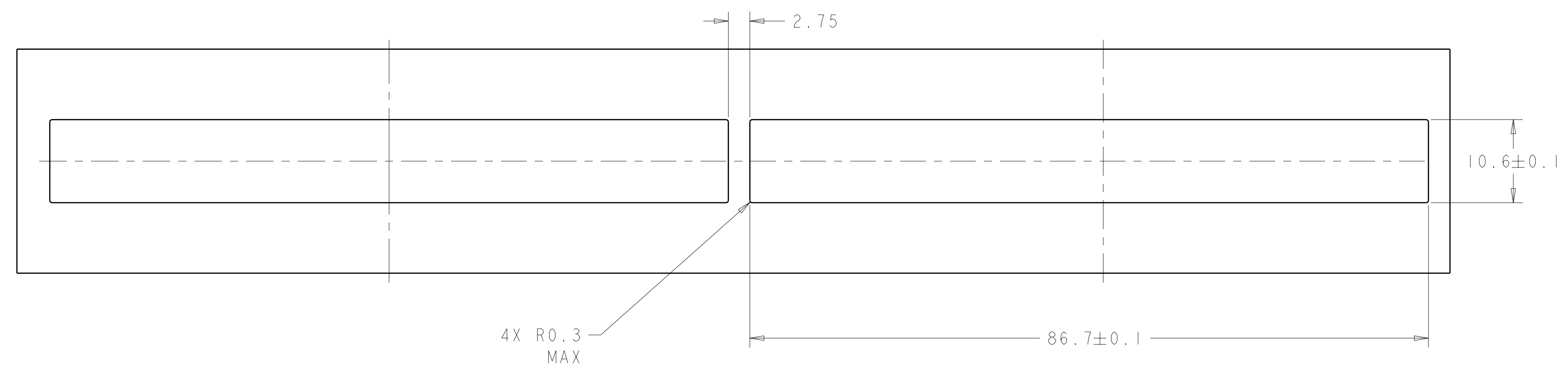
2170080-1
PART NUMBER

THIS DRAWING IS A CONTROLLED DOCUMENT.		OWN JASON YANG 25MAR2011	TE Connectivity	
DIMENSIONS: mm		CHK MANLIAN WANG 25MAR2011	NAME SFP 1X6 CAGE ASSEMBLY, SPECIAL SPRING HEIGHT, PRESS FIT	
TOLERANCES UNLESS OTHERWISE SPECIFIED:		APVD MANLIAN WANG 25MAR2011	PRODUCT SPEC 108-1950	
0 PLC ±0.1		APPLICATION SPEC 114-13120		
1 PLC ±0.1		SIZE CAGE CODE DRAWING NO RESTRICTED TO		
2 PLC ±0.1		A100779C=2170080		
3 PLC ±0.1		SCALE 2:1 SHEET 1 OF 4 REV A		
4 PLC ±0.001		CUSTOMER DRAWING		
ANGLES ±1°				
FINISH				
MATERIAL				

LOC	DIST	REVISIONS			
P	LTR	DESCRIPTION	DATE	DWN	APVD
GP	00	SEE SHEET 1	-	-	-



2170080-1
MOUNTED ON PC BOARD
SHOWN THRU RECOMMENDED BEZEL
SCALE 4:1

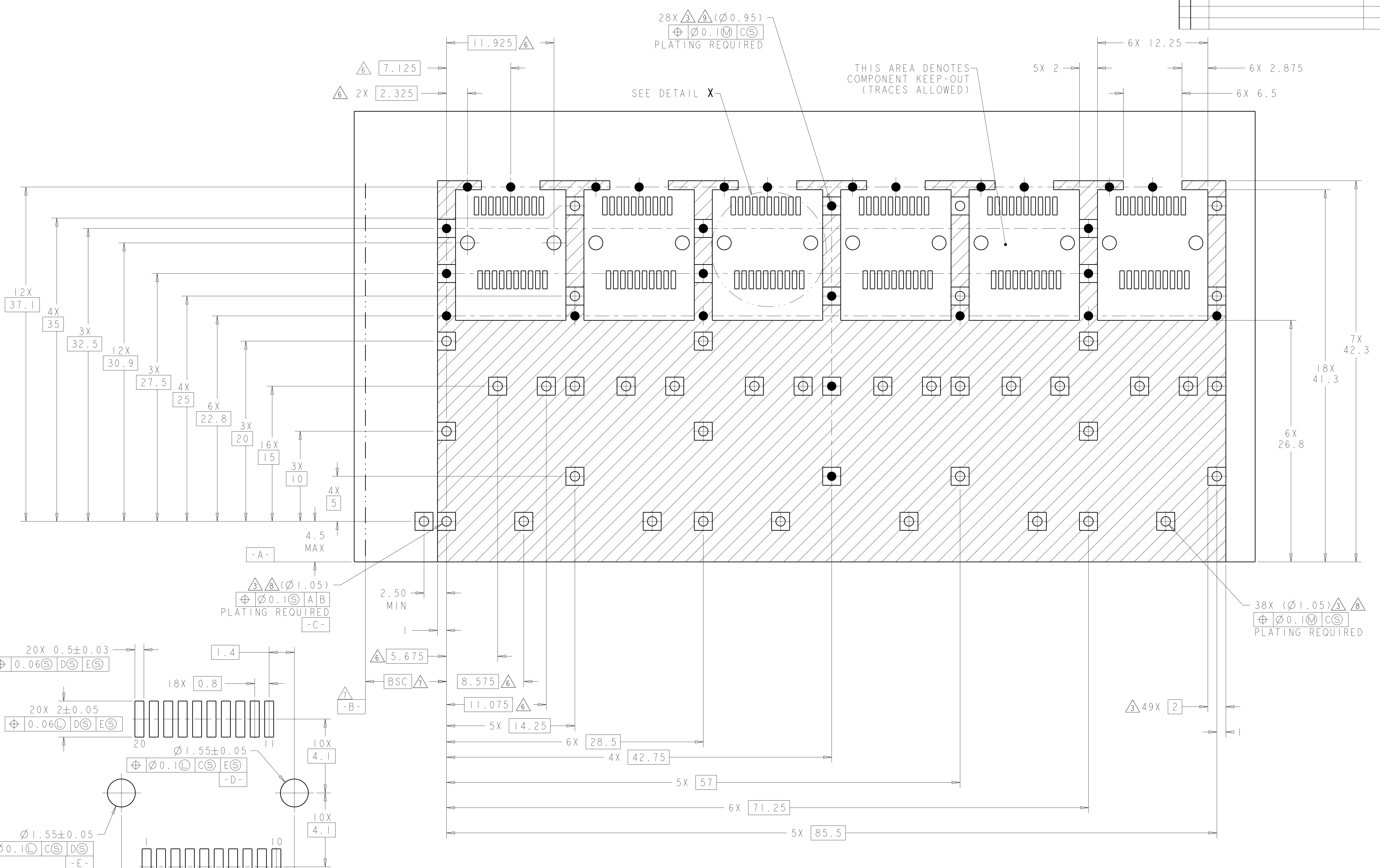


RECOMMENDED BEZEL CUT-OUT
SINGLE SIDED APPLICATIONS
SCALE 5:2

THIS DRAWING IS A CONTROLLED DOCUMENT.		DWN	JASON YANG	25MAR2011	TE Connectivity
DIMENSIONS:		CHK	MANLIAN WANG	25MAR2011	
TOLERANCES UNLESS OTHERWISE SPECIFIED:		APVD	MANLIAN WANG	25MAR2011	NAME
mm	0 PLC ±0.1	PRODUCT SPEC			SFP 1X6 CAGE ASSEMBLY, SPECIAL SPRING HEIGHT, PRESS FIT
	1 PLC ±0.1	APPLICATION SPEC			SIZE
	2 PLC ±0.1	114-13120			CAGE CODE
	3 PLC ±0.1	WEIGHT			DRAWING NO
	4 PLC ±0.0001	CUSTOMER DRAWING			A100779C-2170080
	ANGLES ±1°	SCALE			5:1
MATERIAL	FINISH	SHEET			2 OF 4
		REV			A

LOC	DIST	REV	DATE	BY	APPD
GP	00				

REVISIONS			
NO.	DESCRIPTION	DATE	BY
1	SEE SHEET 1		

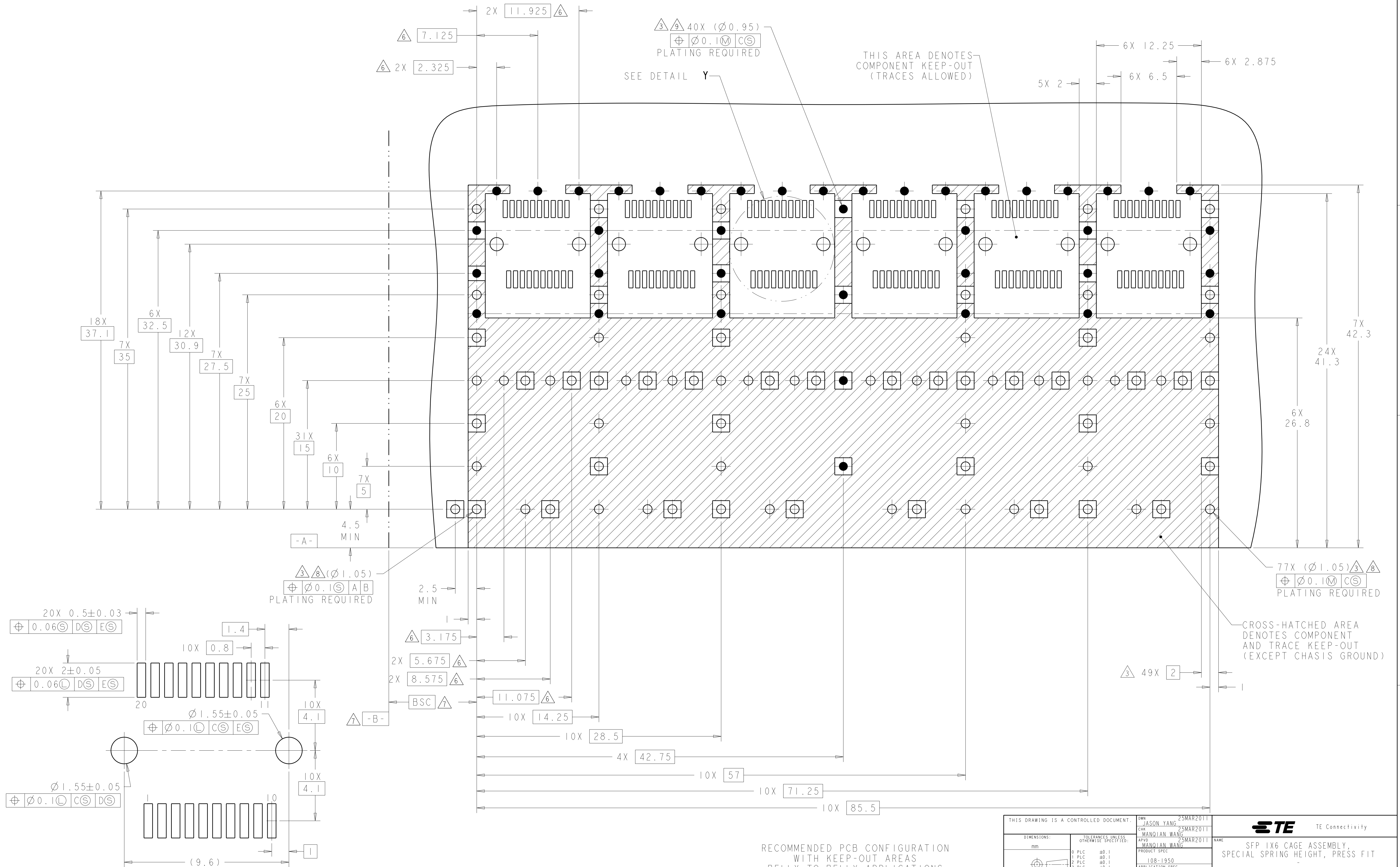


DETAIL X
 RECOMMENDED PT CONNECTOR LAYOUT
 6X INDIVIDUALLY
 SCALE 10:1

RECOMMENDED PCB CONFIGURATION
 WITH KEEP-OUT AREAS
 SINGLE SIDED APPLICATIONS $\frac{3}{8}$

THIS DRAWING IS A CONTROLLED DOCUMENT.		DWN: JASON YANG 25MAR2011 CBY: MANOLIAN WANG 25MAR2011 APVD: MANOLIAN WANG 25MAR2011	NAME: SFP 1X6 CAGE ASSEMBLY, SPECIAL SPRING HEIGHT, PRESS FIT PRODUCT SPEC: 108-1950 APPLICATION SPEC: 114-13120
DIMENSIONS:	TOLERANCES UNLESS OTHERWISE SPECIFIED:	SIZE: CAGE CODE: DRAWING NO: A100779C=2170080	RESTRICTED TO:
mm	9 PLG ± 0.1 1 PLG ± 0.1 3 PLG ± 0.1 4 PLG ± 0.1 5 PLG ± 0.1 ANGLES ± 0.0001 FINISH $\pm 1^{\circ}$	SCALE: 5:1 SHEET: 3 OF 4 REV: A	
MATERIAL:	FINISH:	CUSTOMER DRAWING	

LOC	DIST	REV	DATE	BY	APPD
GP	00				
REVISIONS					
		SEE SHEET 1			



RECOMMENDED PCB CONFIGURATION WITH KEEP-OUT AREAS BELLY TO BELLY APPLICATIONS

THIS DRAWING IS A CONTROLLED DOCUMENT.		DWN JASON YANG 25MAR2011 CHK MANLIAN WANG 25MAR2011 APVD MANLIAN WANG 25MAR2011	STE TE Connectivity NAME SFP 1X6 CAGE ASSEMBLY, SPECIAL SPRING HEIGHT, PRESS FIT PRODUCT SPEC 108-1950 APPLICATION SPEC 114-13120 WEIGHT - CUSTOMER DRAWING
DIMENSIONS: mm 	TOLERANCES UNLESS OTHERWISE SPECIFIED: 9 PLC ± 0.1 1 PLC ± 0.1 2 PLC ± 0.1 3 PLC ± 0.1 4 PLC ± 0.1 ANGLES ± 0.0001 FINISH $\pm 1^{\circ}$	SIZE CAGE CODE DRAWING NO A100779C=2170080	RESTRICTED TO SCALE 5:1 SHEET 4 OF 4 REV A

单击下面可查看定价，库存，交付和生命周期等信息

[>>TE Connectivity\(泰科\)](#)