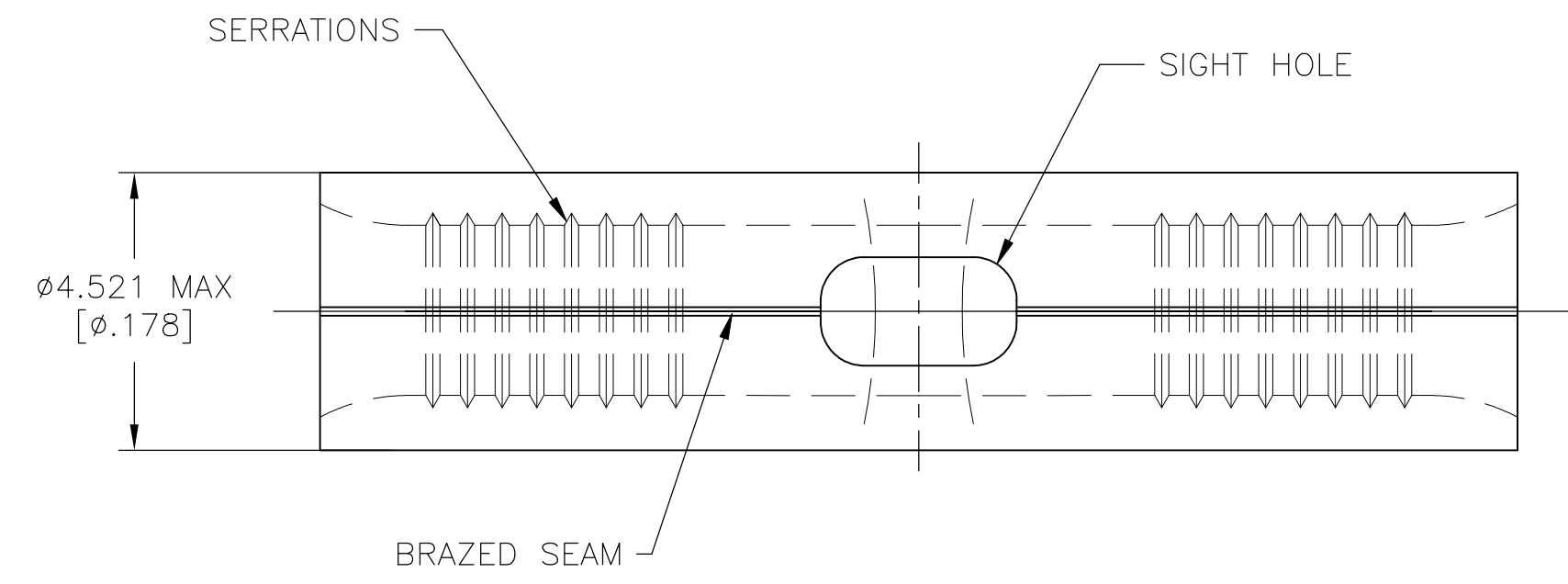


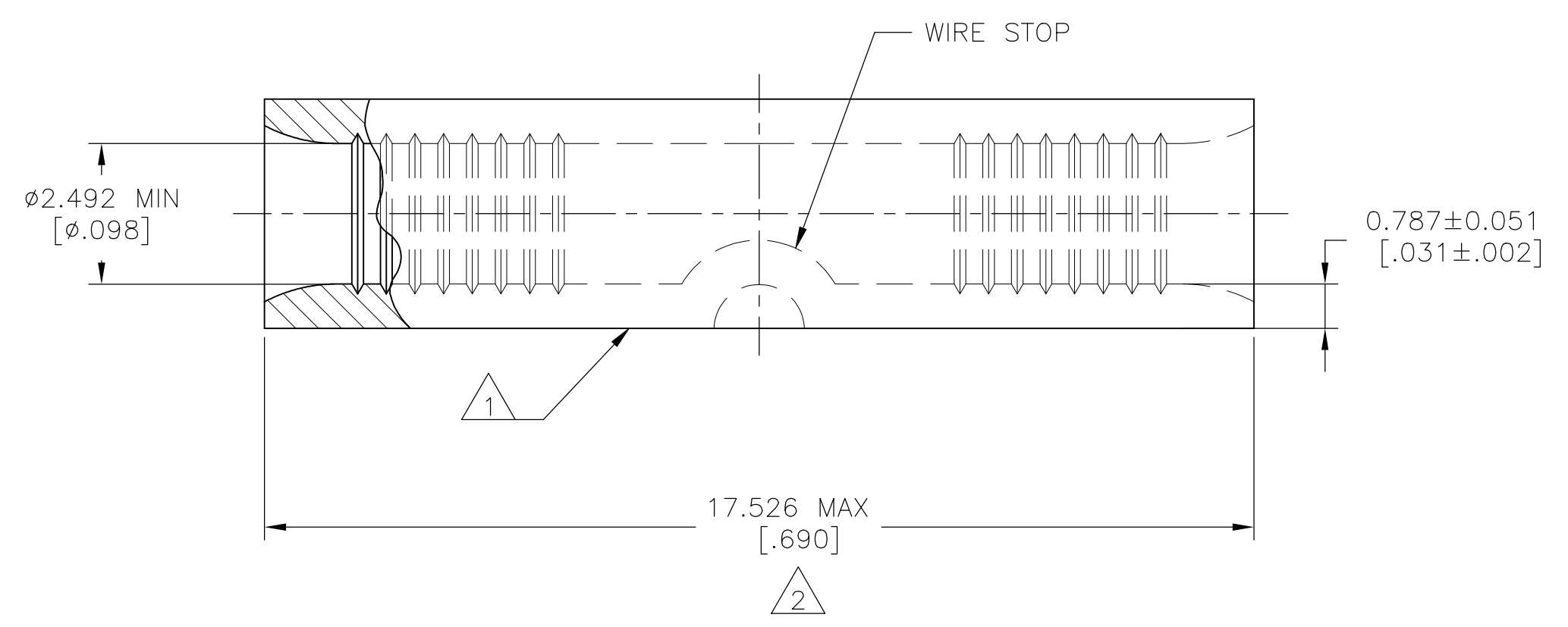
THIS DRAWING IS UNPUBLISHED.
 RELEASED FOR PUBLICATION
 ALL RIGHTS RESERVED.
 © COPYRIGHT - TE Connectivity Ltd.

REVISIONS					
P	LTR	DESCRIPTION	DATE	DWN	APVD
	H	REL PER 0G3A-0372-02	20JUN02	-	MS
	H1	REVISED PER ECO-17-008806	22FEB2018	RS	DR



AMP WIRE RANGE	E13288 Listed
14-12 AWG SOLID OR STRANDED	14-12 AWG STRANDED
LR7189 Certified	MILITARY P/N AND CLASS
14-12 AWG SOLID OR STRANDED	NOT APPLICABLE

- 1 STAMP AMP 14-12* APPROX AS SHOWN
- 2 MAXIMUM LENGTH DOES NOT INCLUDE MANUFACTURING TABS



1000	LOOSE PIECE	321280
QTY	PACKAGE TYPE	PART NUMBER

AMP INCORPORATED CUSTOMER SERVICE SYSTEMS			THIS DRAWING IS A CONTROLLED DOCUMENT.			DWN 22FEB2018 RAVI S			TE Connectivity Ltd.					
FOR ADDITIONAL PRODUCT INFORMATION OR COPIES OF DRAWINGS AND TECHNICAL DOCUMENTS			PRODUCT INFORMATION CENTER 1-800-522-6752			MAX RECOMMENDED OPERATING TEMPERATURE: 170°C [338°F] MAX			DIMENSIONS: mm [INCHES]			TOLERANCES UNLESS OTHERWISE SPECIFIED:		
FOR APPLICATION			TOOLING ASSISTANCE CENTER 1-800-722-1111			VOLTAGE RATING: NOT APPLICABLE						0 PLC ± - 1 PLC ± - 2 PLC ± - 3 PLC ± 0.127[.005] 4 PLC ± -		
TOOLING INFORMATION			1-800-722-1111			WIRE CROSS SECTIONAL AREA RANGE, 1.65-4.17mm²[3,260-8,230] CIR MILS SOLID OR STRANDED			MATERIAL COPPER PER ASTM B-152 ANNEALED			FINISH TIN PLATE 0.00254[.000100] MIN THK PER ASTM B545		
FOR ORDER ENTRY			1-800-526-5142			APVD 22FEB2018 ROHDE DANIEL F			NAME SPLICE, BUTT, SIGHT HOLE, SOLISTRAND			APPLICATION SPEC UL 486 A-B		
						APVD 22FEB2018 ROHDE DANIEL F			SIZE A2			CAGE CODE 00779		
						APVD 22FEB2018 ROHDE DANIEL F			DRAWING NO 321280			RESTRICTED TO -		
						APVD 22FEB2018 ROHDE DANIEL F			SCALE 10:1			SHEET 1 of 1		
						APVD 22FEB2018 ROHDE DANIEL F			CUSTOMER DRAWING			REV H1		

单击下面可查看定价，库存，交付和生命周期等信息

[>>TE Connectivity\(泰科\)](#)