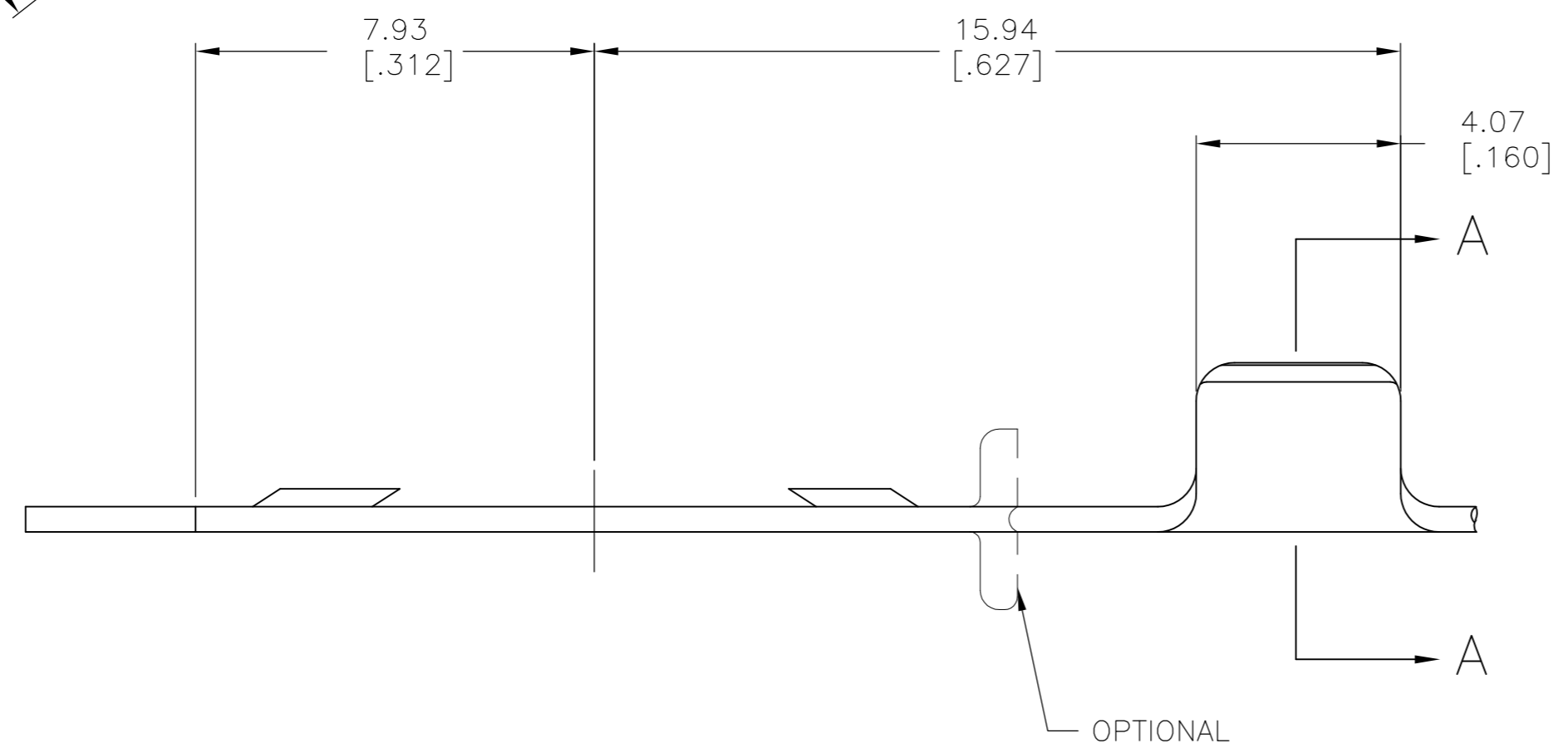
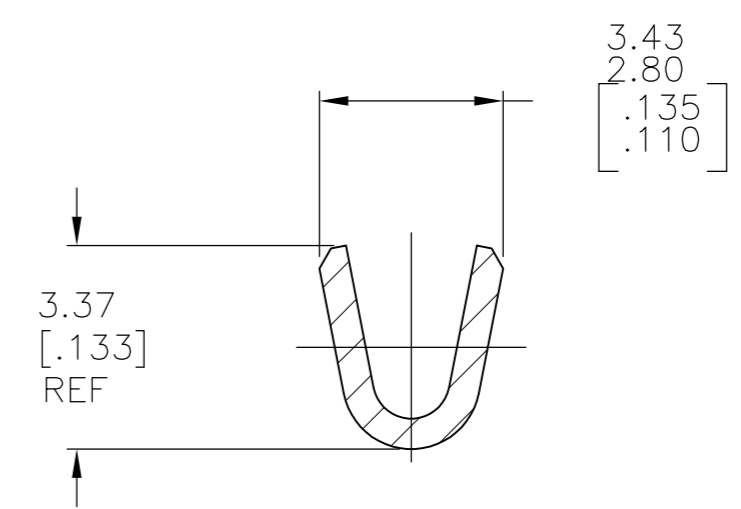
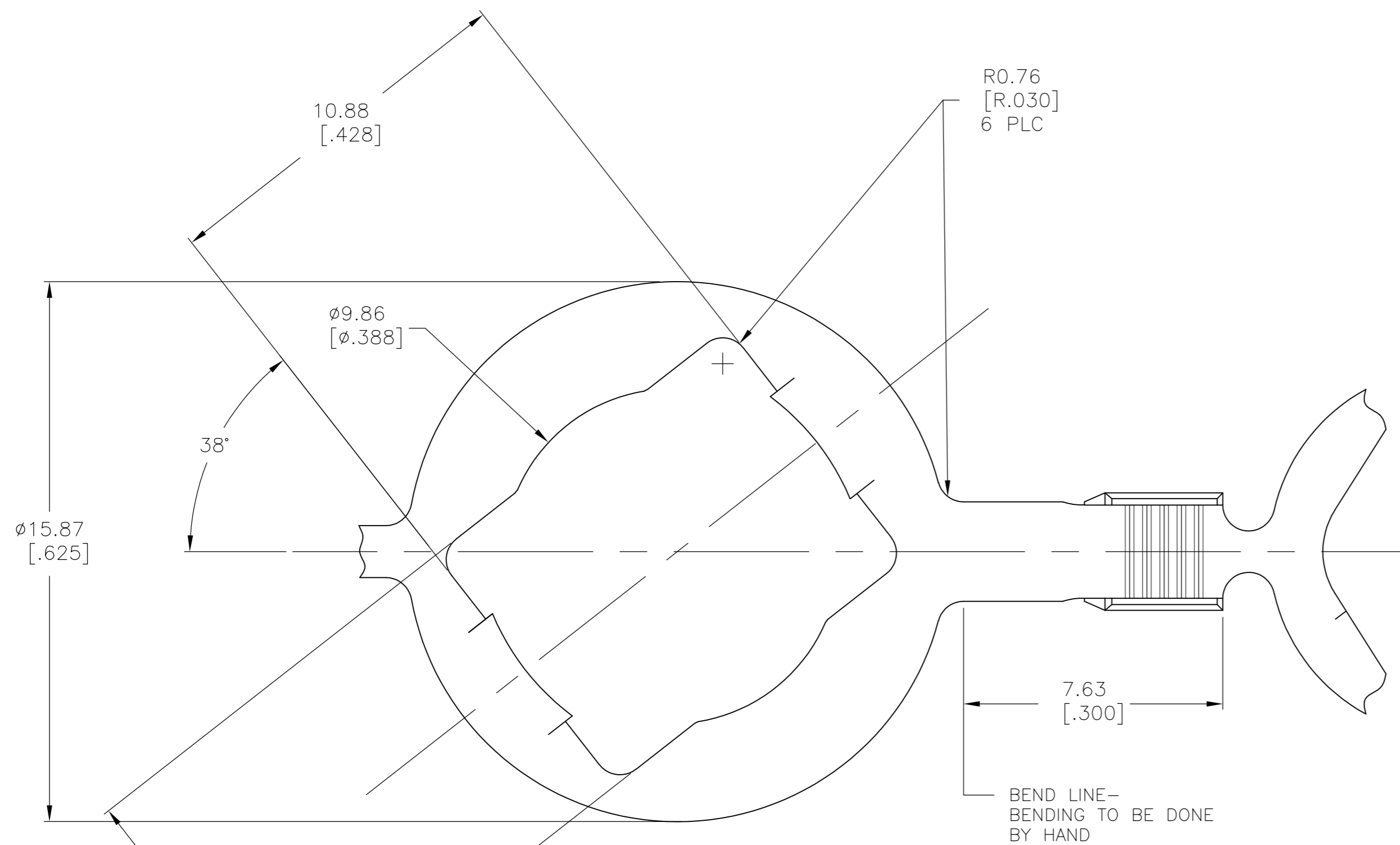


THIS DRAWING IS UNPUBLISHED. RELEASED FOR PUBLICATION
 © COPYRIGHT BY TYCO ELECTRONICS CORPORATION. ALL RIGHTS RESERVED.

LOC	DIST	REVISIONS			
P	LTR	DESCRIPTION	DATE	DWN	APVD
AF	50	C1	REVISED PER ECR-08-000270	24MAR08	HMR DD



THIS DRAWING IS A CONTROLLED DOCUMENT.		DWN RAGHAVENDRA 24MAR2008	20-16 MAGNET WIRE		505017-1
DIMENSIONS: mm [INCHES]		CHK DON DECKER 24MAR2008	Wire range		Part Number
TOLERANCES UNLESS OTHERWISE SPECIFIED:		APVD DON DECKER 24MAR2008	Tyco Electronics Corporation Harrisburg, PA 17105-3608		
0 PLC ± -		PRODUCT SPEC	NAME		
1 PLC ± -		APPLICATION SPEC	RIGHT ANGLE LOCK RING		
2 PLC ± -		WEIGHT -	SIZE A2	CAGE CODE 00779	DRAWING NO C=505017
3 PLC ± .005		CUSTOMER DRAWING	SCALE 8:1	SHEET 1 of 1	RESTRICTED TO -
4 PLC ± -					REV C1
ANGLES ± 0° 30'					
FINISH -					
MATERIAL .020 BRASS					

单击下面可查看定价，库存，交付和生命周期等信息

[>>TE Connectivity\(泰科\)](#)