

4

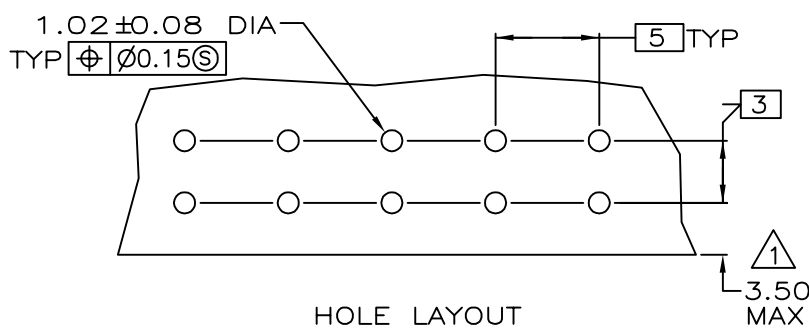
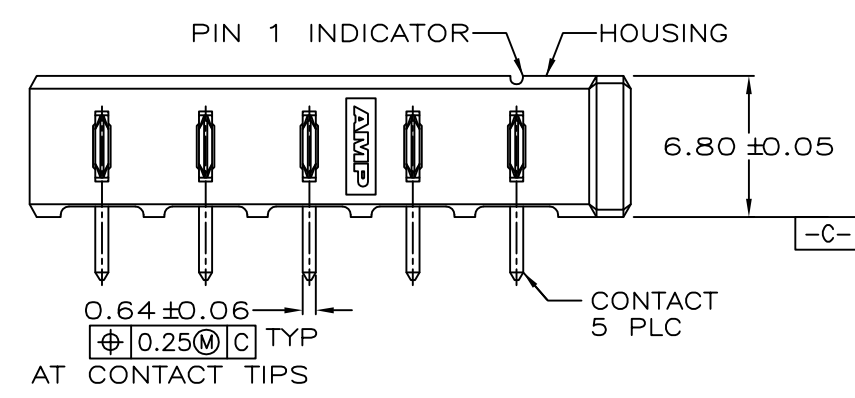
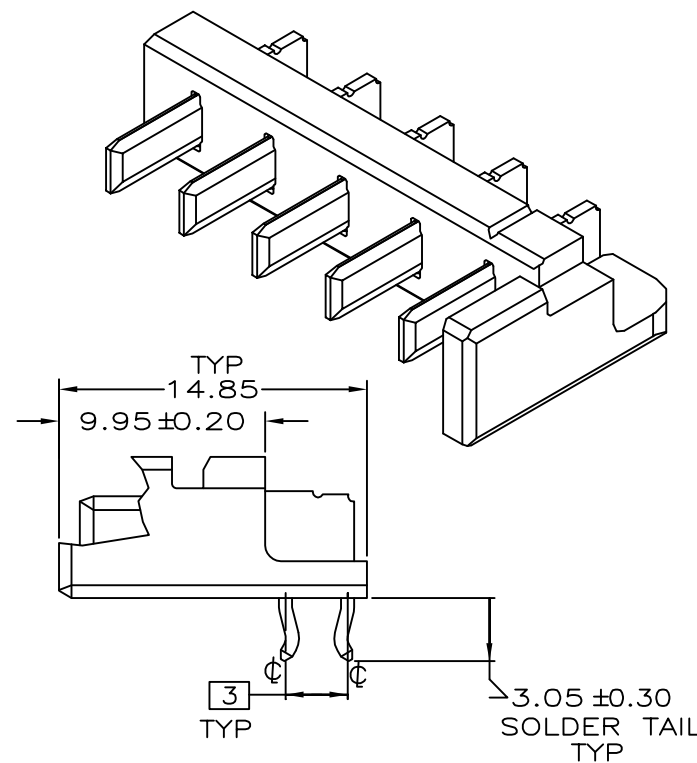
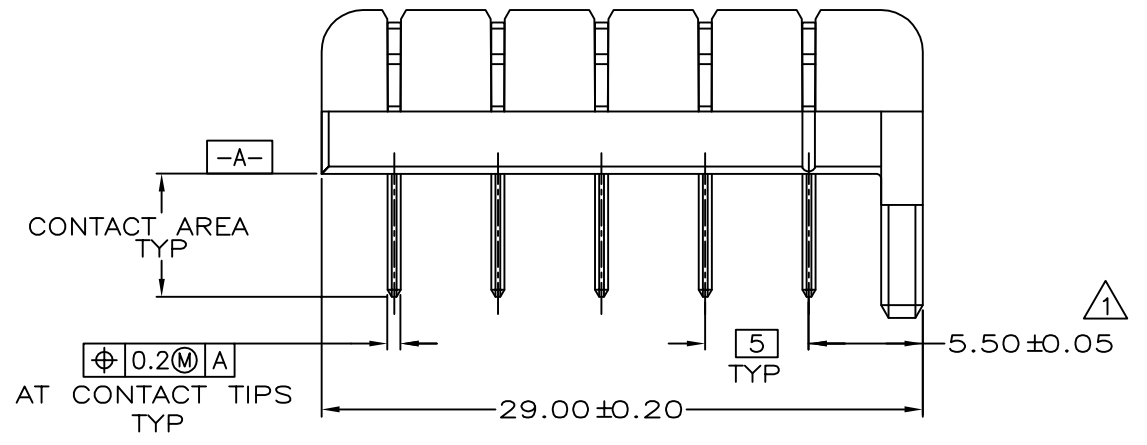
3

2

1

THIS DRAWING IS UNPUBLISHED. RELEASED FOR PUBLICATION
 © COPYRIGHT BY TYCO ELECTRONICS CORPORATION. ALL RIGHTS RESERVED.

LOC	DIST	REVISIONS			
P	LTR	DESCRIPTION	DATE	DWN	APVD
ES	00	A	REVISED PER ECR-10-002761	08FEB2010	S.W S.Y



▲ COORDINATE DIMENSION APPLIES FROM CENTER OF ACTUAL FEATURE.

▲ FINISH: 2.54um MIN TIN ON SOLDER TAIL OVER 1.90um MIN NICKEL ALL OVER.

5787141-1

THIS DRAWING IS A CONTROLLED DOCUMENT.		DWN G.DOUTY 11/11/93	Tyco Electronics Corporation	
		CHK S.KLINE 02/17/94	Shanghai, P.R.China, 200233	
DIMENSIONS: mm		APVD S.KLINE 02/17/94	NAME	
TOLERANCES UNLESS OTHERWISE SPECIFIED:		PRODUCT SPEC		
0 PLC ± -	1 PLC ± -	108-1501		
2 PLC ± 0.10	3 PLC ± -	APPLICATION SPEC		
4 PLC ± -	ANGLES ± -	SIZE CAGE CODE DRAWING NO RESTRICTED TO		
MATERIAL HOUSING: LCP, BLACK CONTACTS: BRASS.	FINISH	WEIGHT -	A3 00779	C=5787141
		CUSTOMER DRAWING		SCALE 4:1 SHEET 1 OF 1 REV A

单击下面可查看定价，库存，交付和生命周期等信息

[>>TE Connectivity\(泰科\)](#)