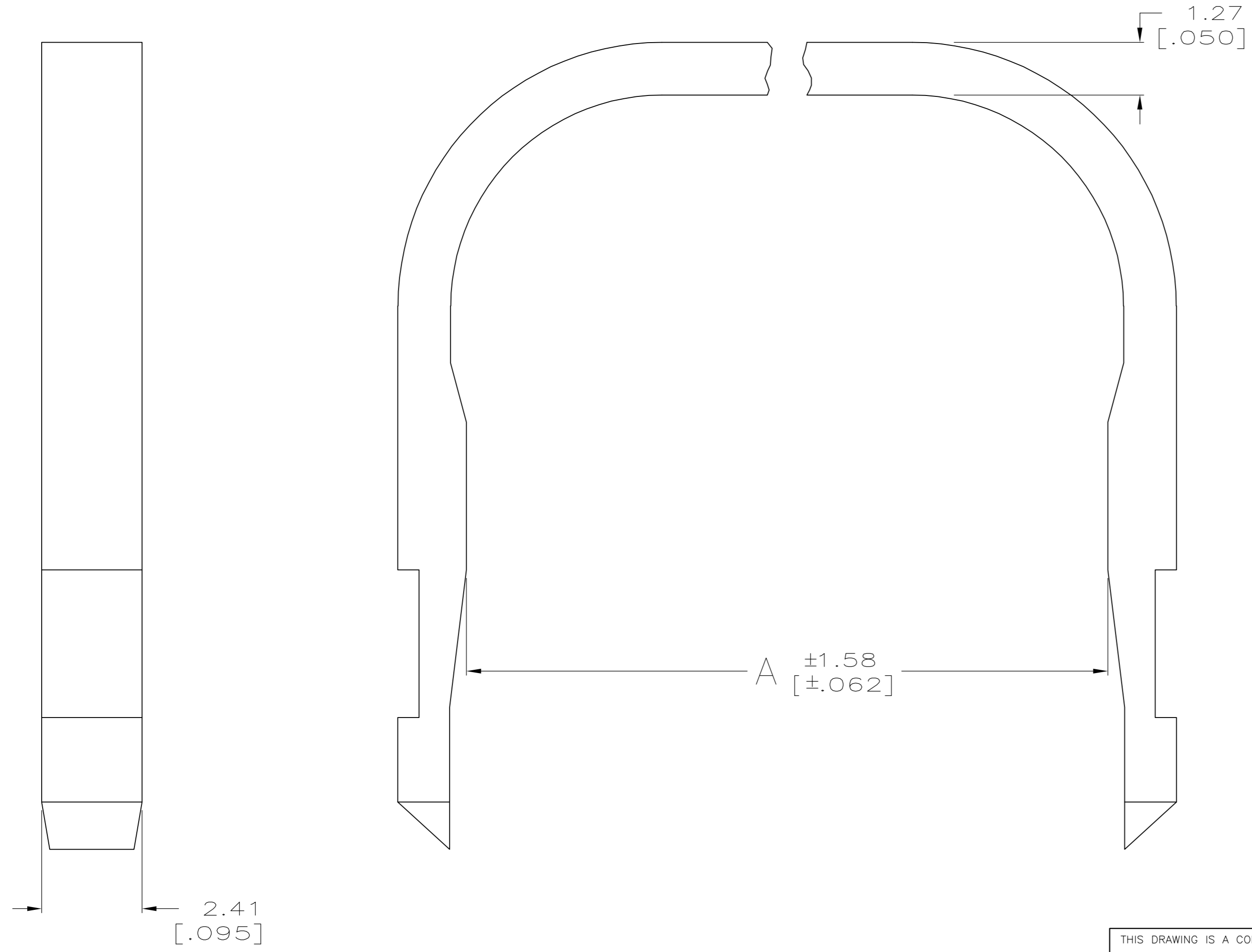


THIS DRAWING IS UNPUBLISHED. RELEASED FOR PUBLICATION
 © COPYRIGHT BY TYCO ELECTRONICS CORPORATION. ALL RIGHTS RESERVED.

LOC	DIST	REVISIONS			
P	LTR	DESCRIPTION	DATE	DWN	APVD
GP	00				
	C	REV PER EC 0S13-0331-05	27SEP06	JDP	CWR

FOR USE ON AMP-LATCH RECEPTACLES AND NOVA RECEPTACLES WITHOUT STRAIN RELIEFS.



OBSOLETE	82.55 [3.250]	64	1-746601-3
OBSOLETE	77.47 [3.050]	60	1-746601-2
	64.77 [2.550]	50	1-746601-1
OBSOLETE	57.15 [2.250]	44	1-746601-0
OBSOLETE	52.07 [2.050]	40	746601-9
OBSOLETE	44.45 [1.750]	34	746601-8
OBSOLETE	39.37 [1.550]	30	746601-7
OBSOLETE	34.29 [1.350]	26	746601-6
OBSOLETE	31.75 [1.250]	24	746601-5
OBSOLETE	26.67 [1.050]	20	746601-4
OBSOLETE	21.59 [.850]	16	746601-3
OBSOLETE	19.05 [.750]	14	746601-2
OBSOLETE	13.97 [.550]	10	746601-1
	A	NO OF POS	PART NUMBER

THIS DRAWING IS A CONTROLLED DOCUMENT.		DWN	J.GALUCCI	20 OCT 89	Tyco Electronics Corporation Harrisburg, PA 17105-3608	
DIMENSIONS: mm [INCHES]		CHK	H.MOLL	28 OCT 89		
TOLERANCES UNLESS OTHERWISE SPECIFIED:		APVD	-	-		
0 PLC ± - 1 PLC ± - 2 PLC ± - 3 PLC ± 0.13[.005] 4 PLC ± - ANGLES ± - FINISH -		PRODUCT SPEC	-	NAME		AMP-LATCH, RECEPTACLE, SNAP-ON PULL HANDLE
MATERIAL	NYLON 94V-0 RATED	WEIGHT	-	SIZE	A2	
		CUSTOMER DRAWING	SCALE	10:1	SHEET	1 of 1
					RESTRICTED TO	-
					REV	C

单击下面可查看定价，库存，交付和生命周期等信息

[>>TE Connectivity\(泰科\)](#)