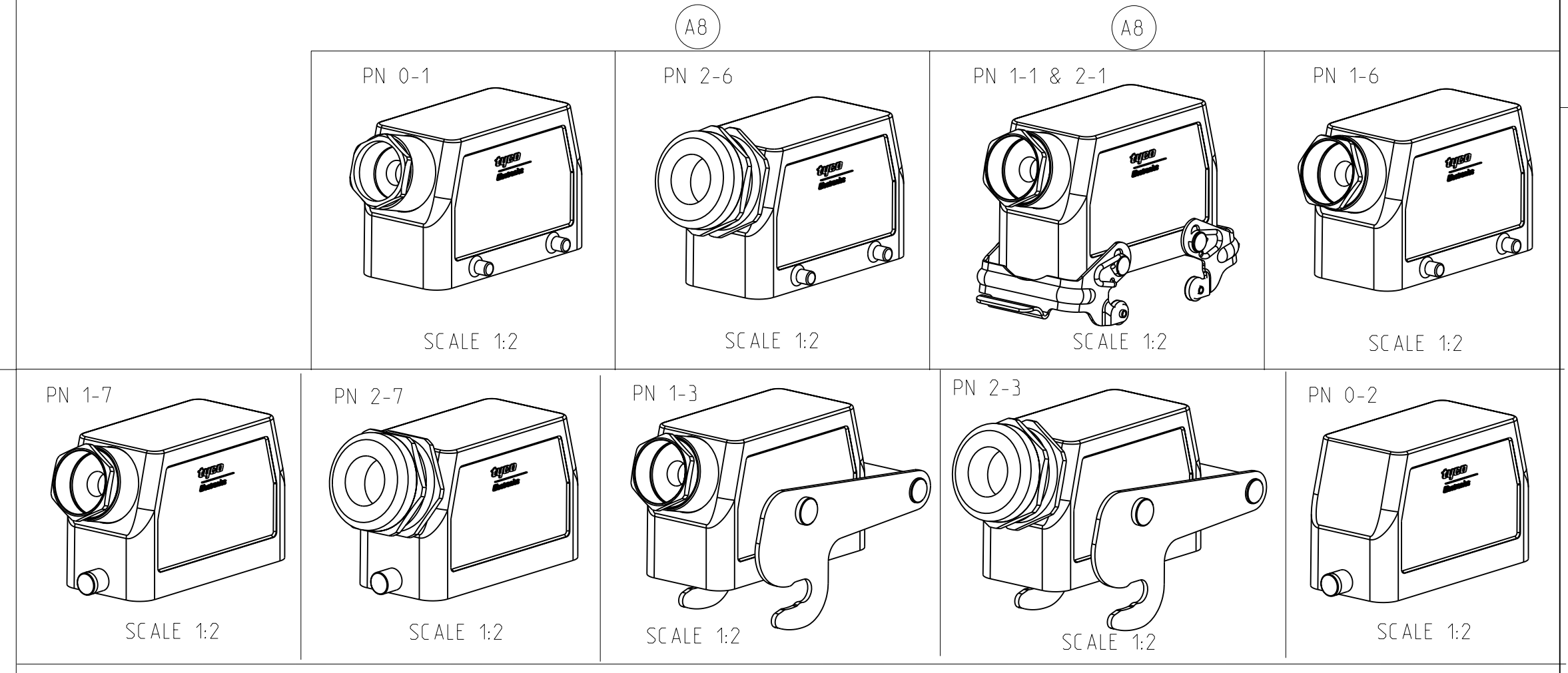


LOC	DIST	REVISIONS			
P	LTR	DESCRIPTION	DATE	DWN	APVD
A8		ECR-10-022250	27.10.2010	SR	AR
A9		ECR-17-013084	29MAR18	SG	MKO

- NOTES
- Material: Housing: aluminium diecasting alloy  
Seals: Neoprene: Viton
  - Surface: - Powder varnish grey  
- Aluminium oxide+Varnish black/ White/ Yellow
  - Varnish on the inside not necessary
  - Packaging  
Packaging quantity 5 piece in a box
  - Special packaging quantity 50 pieces in kanban-box
  - OBsolete PARTS: OBSOLETE C IS STREAMLINING PER D.RENAUD/D.SINISI



ITEM NO	DESCRIPTION	MATERIAL	SURFACE	COLOR	ITEM NO	NOTES
14	Hood HB.16	Aluminium		Grey	14	Without Bolt
13	Cable connection round PG21	Brass	Nickel plated	-	13	Seal from Viton
12	Hood HB.16.Pg.1.21	Aluminium	-	Black	12	Unpainted
11	ZB-Central Locking	Stainless steel	-	-	11	-
10	ZB-Central Locking	Steel	Zinc plated	Blue	10	-
9	LB-Clip bolt	Stainless steel	Blank	-	9	-
8	LB-Clip bolt	Steel	Zinc plated	Blue	8	-
7	VS-Locking clip	Stainless steel	-	-	7	-
6	VS-Locking clip	Steel	Zinc plated	Blue	6	-
5	VS-Clip bolt	Stainless steel	-	-	5	-
4	Gland fitting PG21	Brass	Nickel plated	-	4	-
3	Cable connection round PG21	Brass	Nickel plated	-	3	-
2	Hood HB.16.Pg.1.21	Aluminium	Aluminium oxide	Black	2	-
1	Hood HB.16.Pg.1.21	Aluminium	-	Grey	1	-

ORDERING TEXT

DESCRIPTION: Hood HB.16

MATERIAL: Aluminium

SURFACE: Aluminium oxide

COLOR: Black

ITEM NO: 1

NOTES: Without Bolt

DATE: 30.11.1998

DWN: Schneider

CHK: Schneider

APVD: Schneider

NAME: Hood.HB.16

PRODUCT SPEC: -

APPLICATION SPEC: -

WEIGHT: -

CUSTOMER DRAW ING: -

SCALE: 1:1

SHEET: 1 OF 1

REV: A9

TE Connectivity

4805 (2/09)

单击下面可查看定价，库存，交付和生命周期等信息

[>>TE Connectivity\(泰科\)](#)