

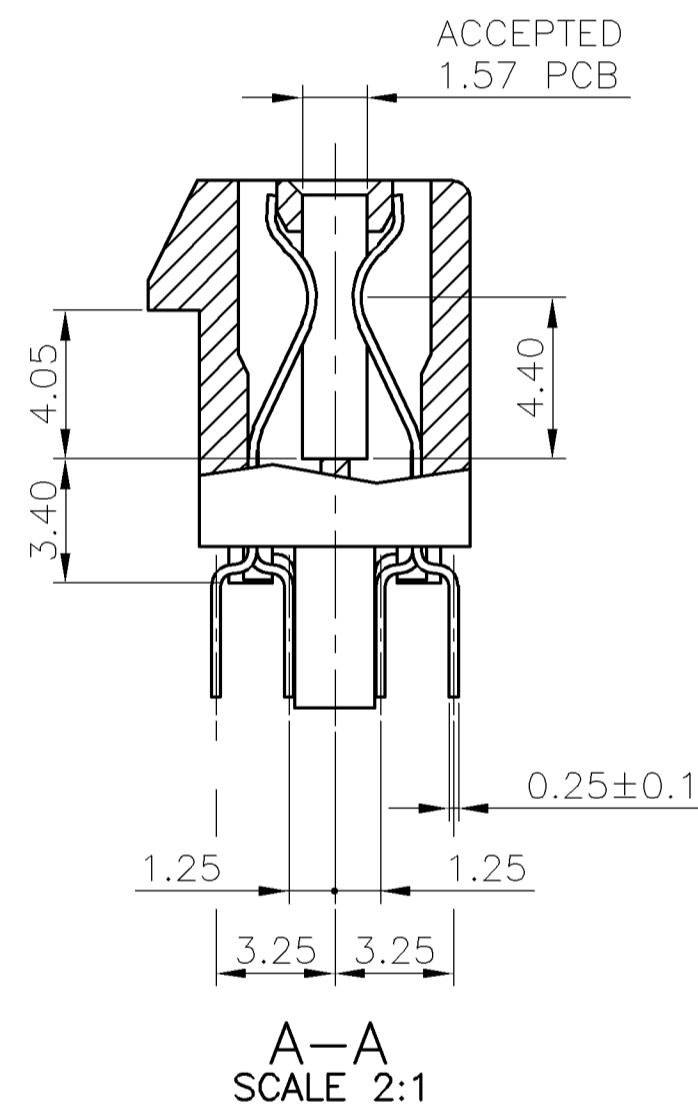
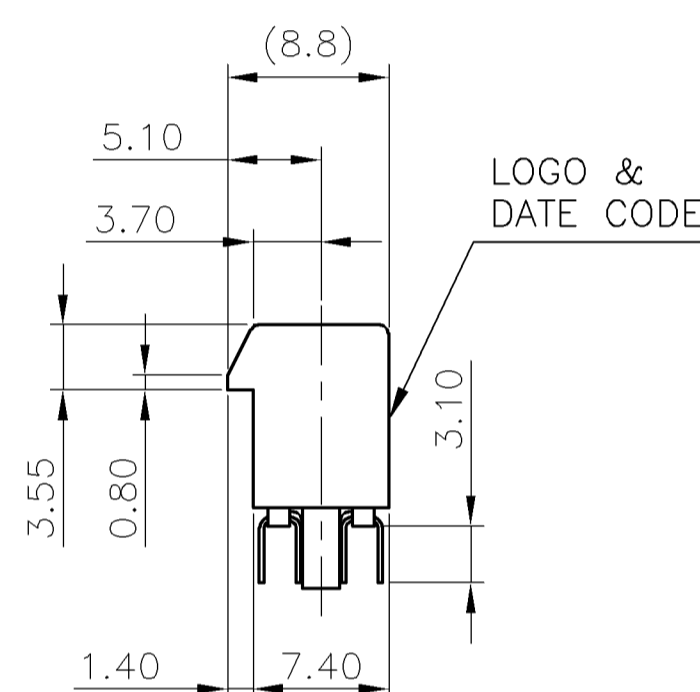
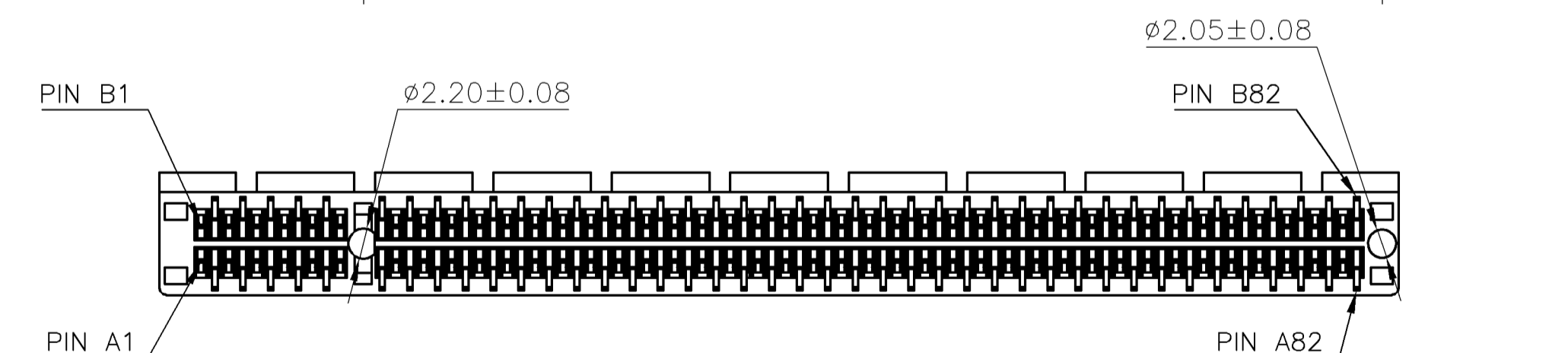
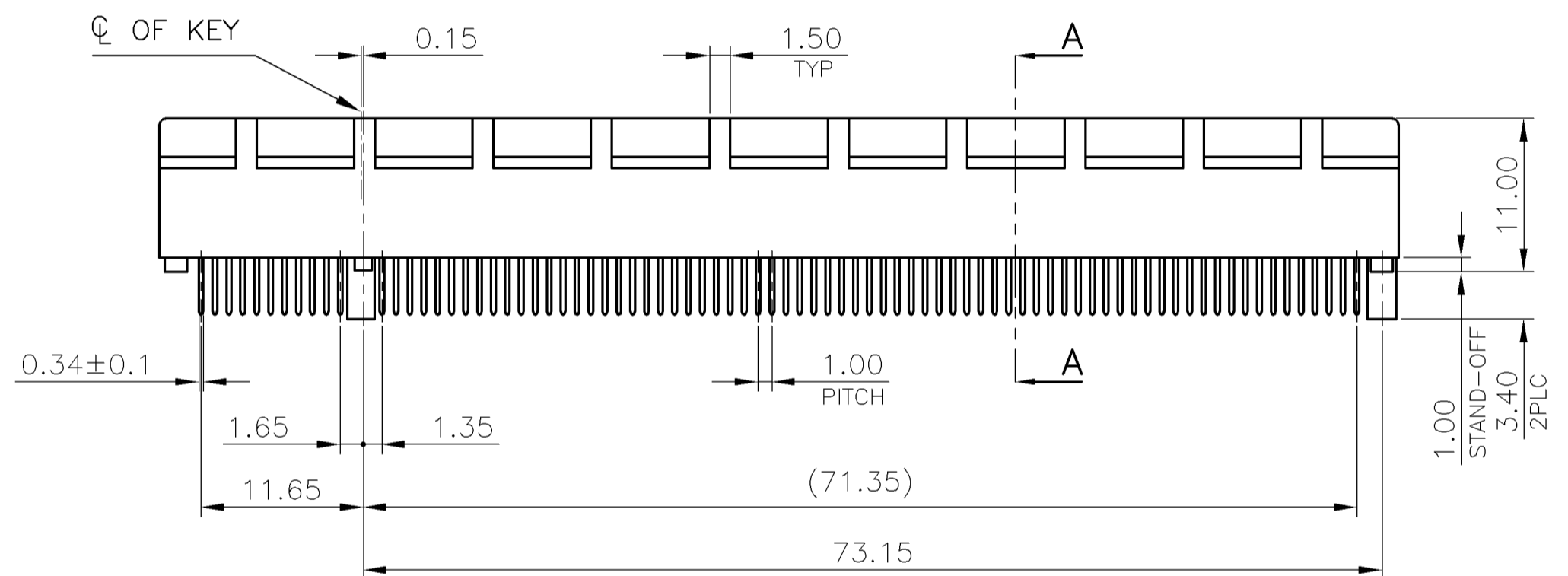
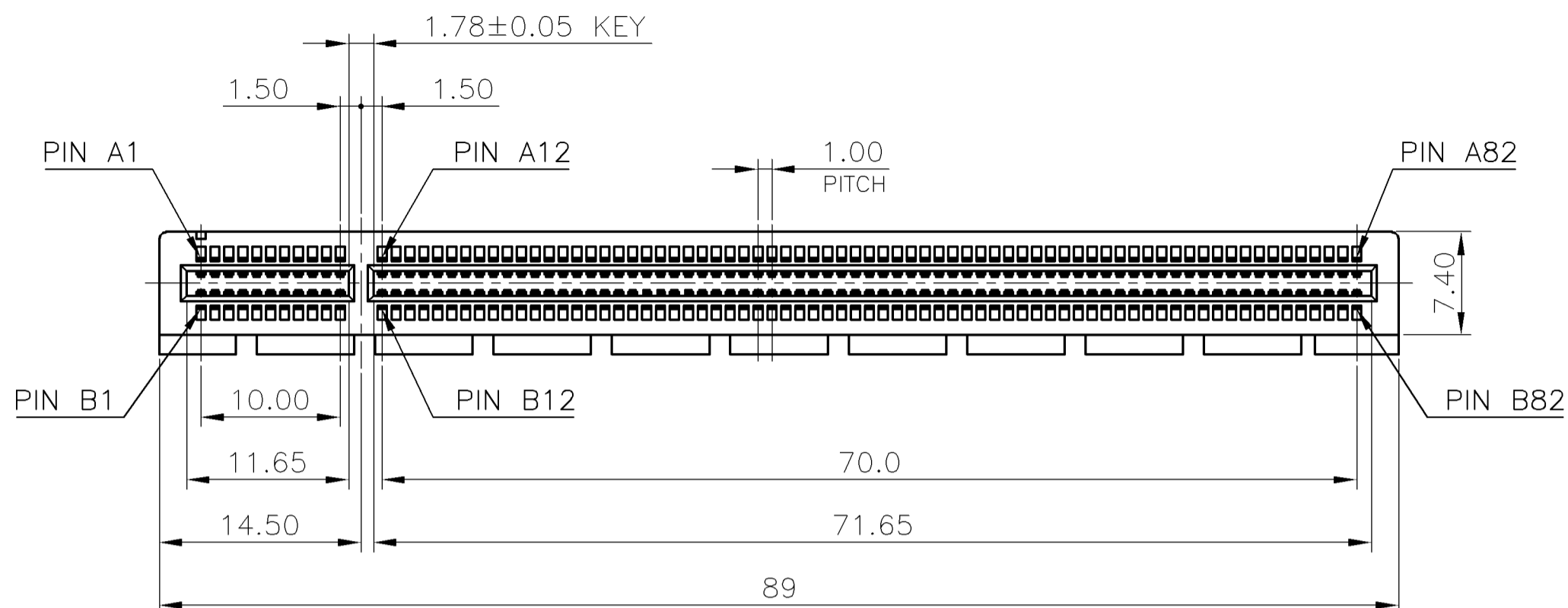
THIS DRAWING IS UNPUBLISHED. RELEASED FOR PUBLICATION AUG ,2006.

© COPYRIGHT BY TYCO ELECTRONICS CORPORATION. ALL RIGHTS RESERVED.

LOC	DIST	REVISIONS				
P	LTR	DESCRIPTION	DATE	DWN	APVD	
		A1	REVISED (ECR-11-008810) CORRECT NOTE 3 & CHANGE PRODUCT SPEC TO 108-57871	27APR'11	E.L.	W.K.

NOTES:

- MATERIAL:
  - HOUSING: PA46 WITH 40% G.F, UL94 V-0, COLOR: NATURAL.
  - CONTACT: PHOSPHOR BRONZE.
- FINISH:
  - CONTACT: 0.381um [15u"] MIN. GOLD PLATING ON CONTACT AREA.
  - 2.54um [100u"] MIN. MATTE-TIN PALTING ON SOLDER TAIL AREA.
  - 1.27um [50u"] MIN. NICKEL UNDERPLATING OVERALL.
- WAVE SOLDER CAPABLE TO 265°C PER TEST SPEC. 109-202 CONDITION B.
- WEIGHT: 8.30 GRAMS



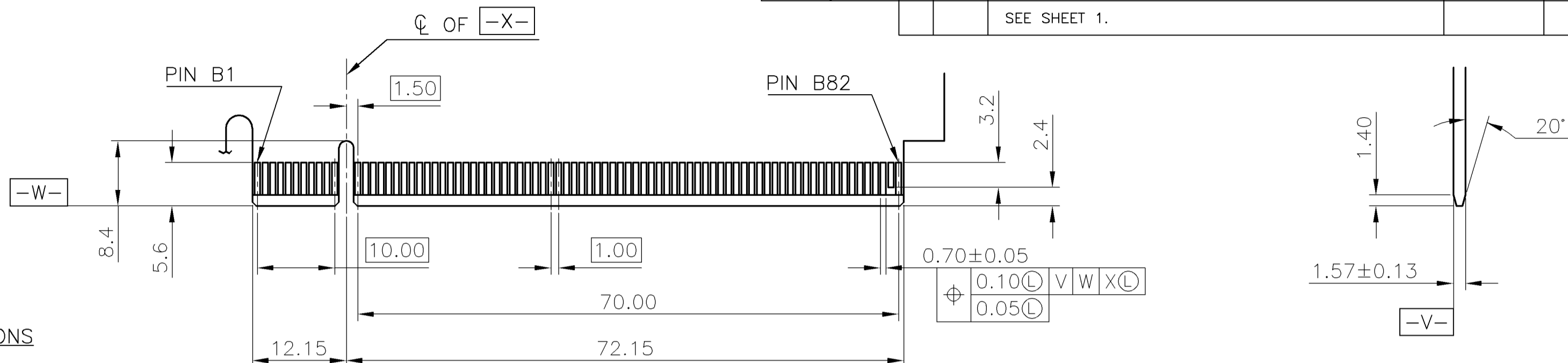
8.40	164	1759921-4
WEIGHT (g)	POS	PART NUMBER

THIS DRAWING IS A CONTROLLED DOCUMENT.		DWN B. HSING 08MAY2009	 TE Connectivity	
DIMENSIONS: MM		CHK S. CHIEN 08MAY2009		
TOLERANCES UNLESS OTHERWISE SPECIFIED:		APVD W. KODAMA 08MAY2009		
0 PLC ± - 1 PLC ± 0.3 2 PLC ± 0.2 3 PLC ± 0.15 4 PLC ± - ANGLES ± 3°		NAME		
MATERIAL SEE NOTE		FINISH SEE NOTE	PRODUCT SPEC 108-57871 APPLICATION SPEC	
SEE NOTE		SEE NOTE	SIZE A3	CAGE CODE 00779
			DRAWING NO C=1759921	RESTRICTED TO
			SCALE -	SHEET 1 OF 3
				REV A1

LOC DW DIST

REVISIONS

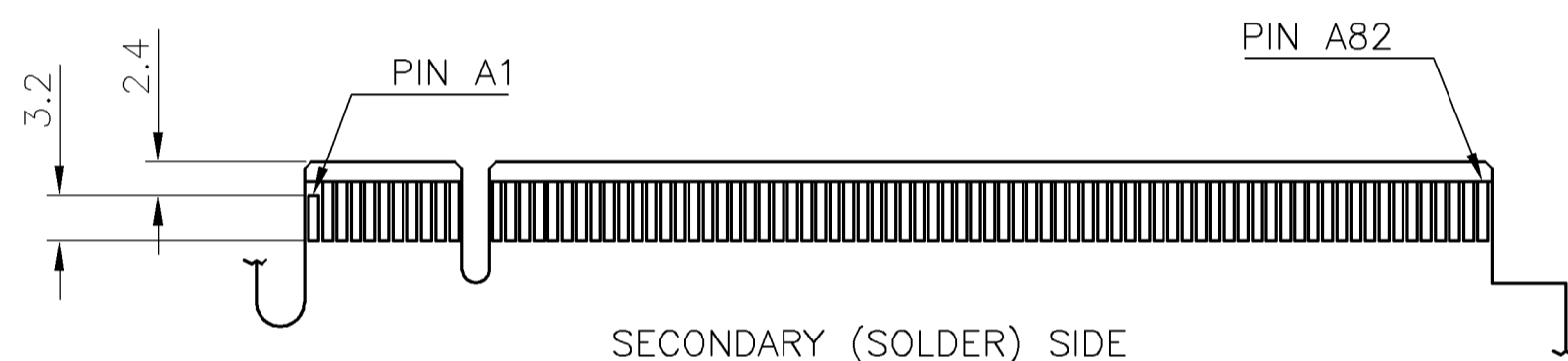
P	LTR	DESCRIPTION	DATE	DWN	APVD
		SEE SHEET 1.			



ADD-IN CARD EDGE-FINGER DIMENSIONS

NOTES:  
CHAMFER EDGE MUST BE FREE OF CUTTING BURRS

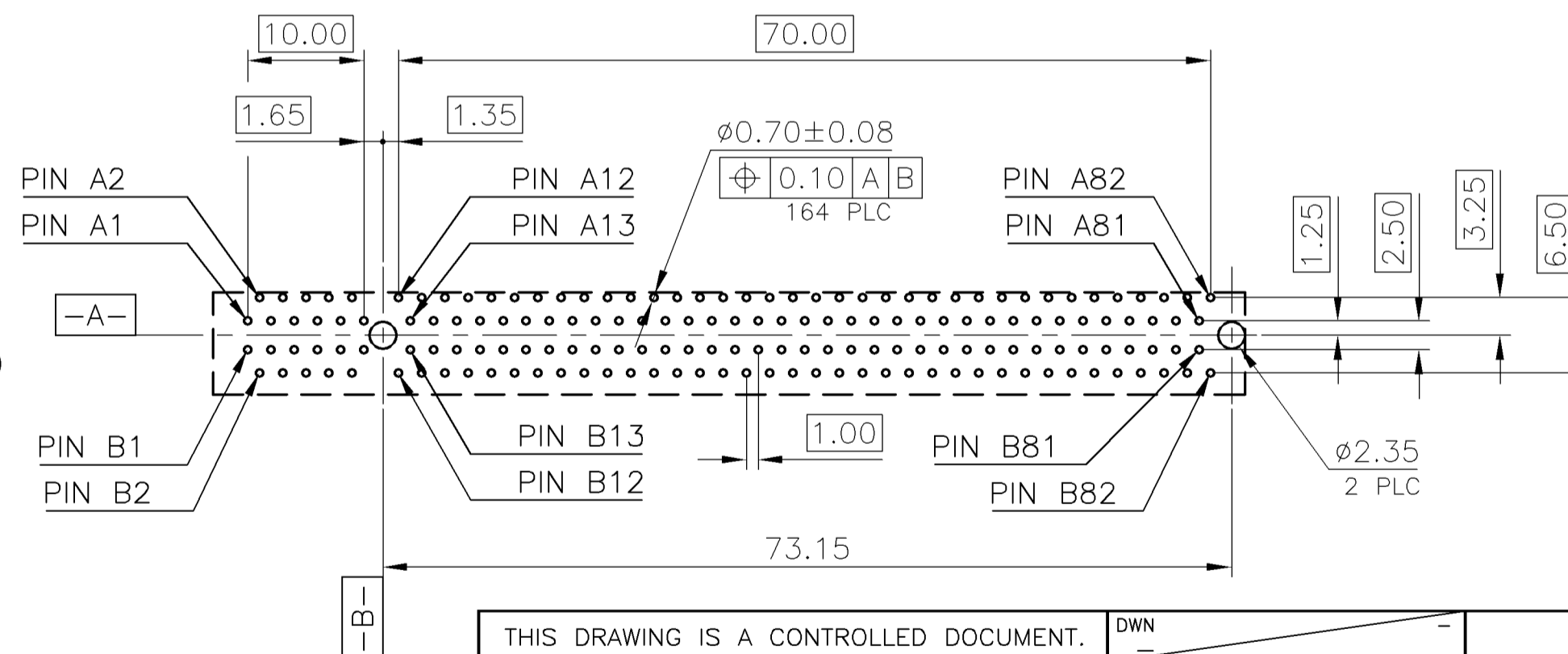
I/O PANEL DIRECTION  
PRIMARY (COMPONENT) SIDE



SECONDARY (SOLDER) SIDE

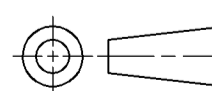
RECOMMENDED PCB LAYOUT

TOLERANCE: ±0.05  
(APPLY TO P.C.B THICKNESS: 2.36mm)



THIS DRAWING IS A CONTROLLED DOCUMENT.

DIMENSIONS:  
MM



TOLERANCES UNLESS OTHERWISE SPECIFIED:

0 PLC	±
1 PLC	±
2 PLC	±
3 PLC	±
4 PLC	±
ANGLES	±
FINISH	±

MATERIAL

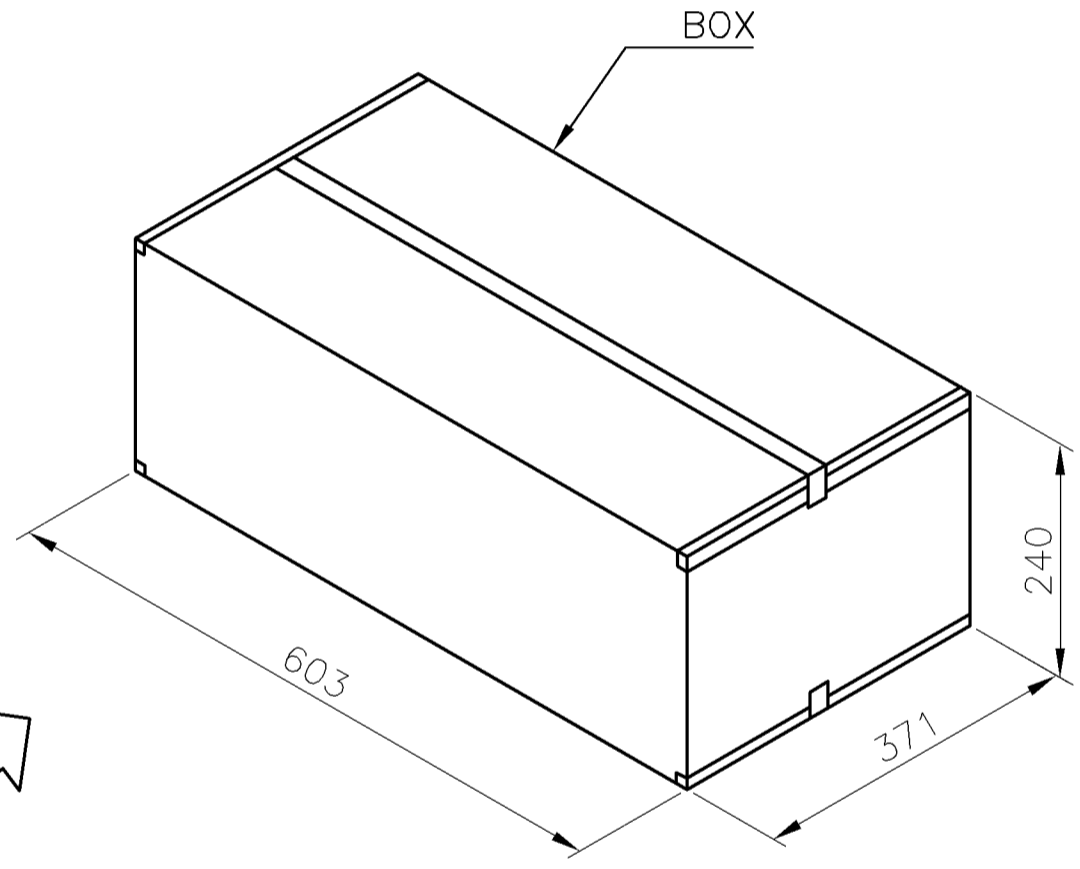
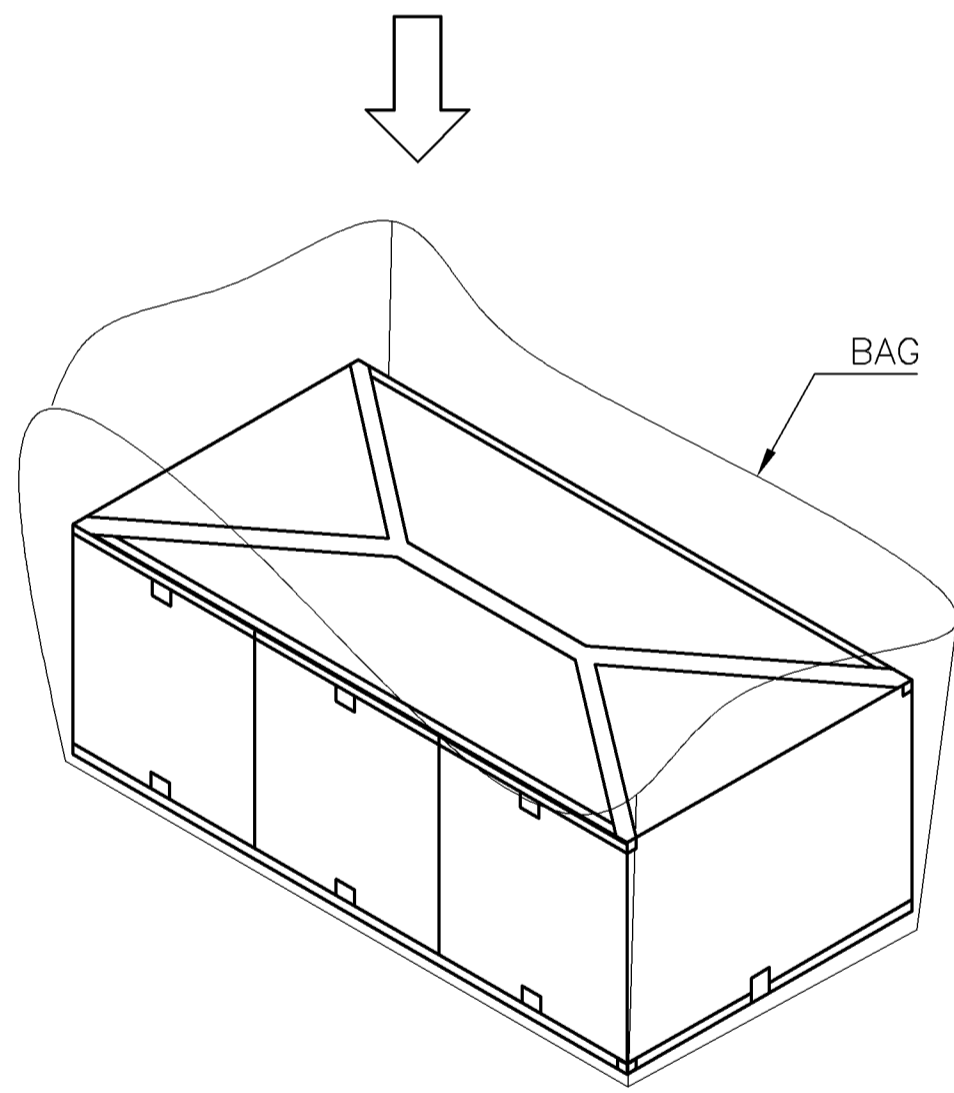
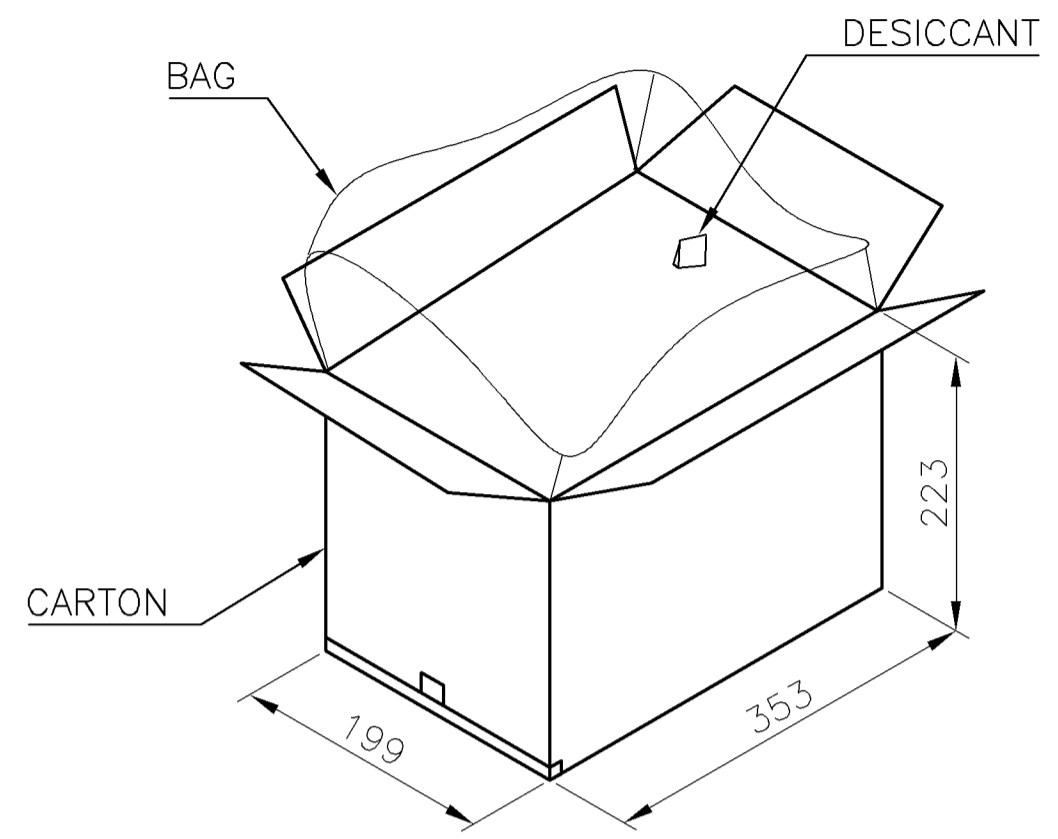
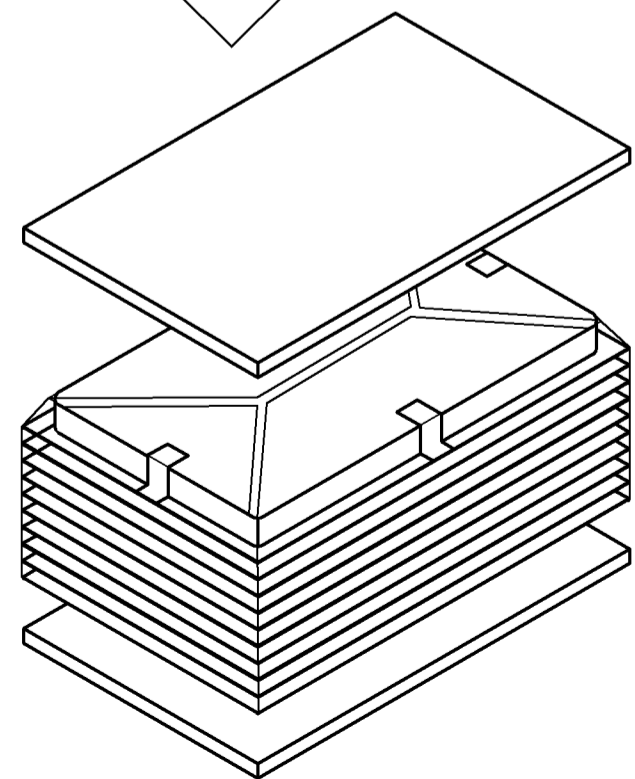
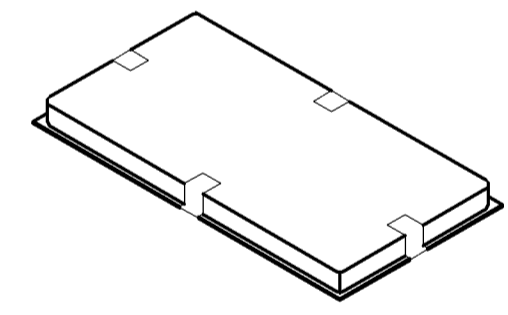
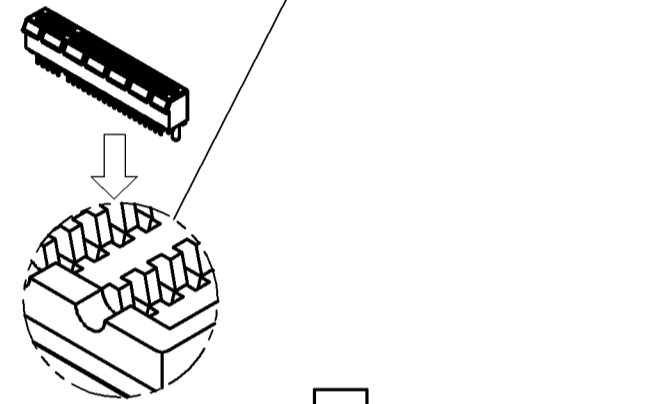
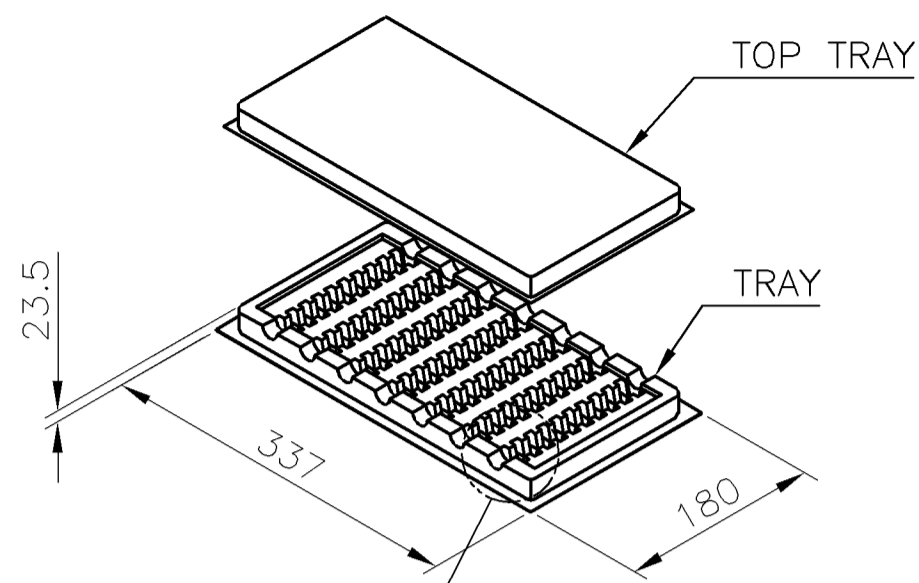
DWN	
CHK	
APVD	
PRODUCT SPEC	
APPLICATION SPEC	
WEIGHT	
CUSTOMER DRAWING	

STE TE Connectivity

NAME			
PCI EXPRESS CARD EDGE CONNECTOR VERTICAL, DIP TYPE, 3GIO			
SIZE	CAGE CODE	DRAWING NO	RESTRICTED TO
A3	00779	C=1759921	
SCALE	SHEET	REV	
	2 OF 3	A1	

LOC DW DIST

REVISIONS				
P	LTR	DESCRIPTION	DATE	APVD
		SEE SHEET 1.		



- NOTES :
- MATERIAL :  
 TRAY : PVC, COLOR: TRANSPARENT.  
 CARTON: CORRUGATED FIBER  
 BOX: CORRUGATED FIBER
  - DIMENSION :  
 TRAY: SEE DRAWING  
 CARTON: SEE DRAWING  
 BOX : SEE DRAWING
  - QUANTITY : SEE TABLE
  - WEIGHT : SEE TABLE

10.2 Kg	8.2 Kg	30	10	3	900	164
GROSS WEIGHT	NET WEIGHT	PCS/ TRAY	TRAY/ CARTON	CARTON/ BOX	PCS/ BOX	POS.

THIS DRAWING IS A CONTROLLED DOCUMENT.		DWN	<b>TE Connectivity</b> PCI EXPRESS CARD EDGE CONNECTOR VERTICAL, DIP TYPE, 3GIO					
DIMENSIONS: MM		CHK					NAME	
TOLERANCES UNLESS OTHERWISE SPECIFIED: 0 PLC ± - 1 PLC ± - 2 PLC ± - 3 PLC ± - 4 PLC ± - ANGLES ± - MATERIAL FINISH		APVD					DRAWING NO	
MATERIAL		PRODUCT SPEC					RESTRICTED TO	
		APPLICATION SPEC	SIZE	CAGE CODE	DRAWING NO			
		WEIGHT	A300779		C=1759921			
		CUSTOMER DRAWING	SCALE	SHEET	3 OF 3	REV A1		

单击下面可查看定价，库存，交付和生命周期等信息

[>>TE Connectivity\(泰科\)](#)