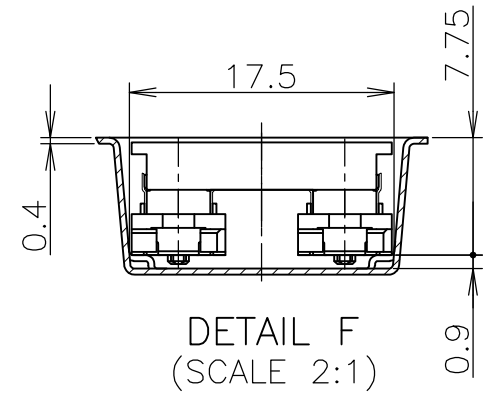
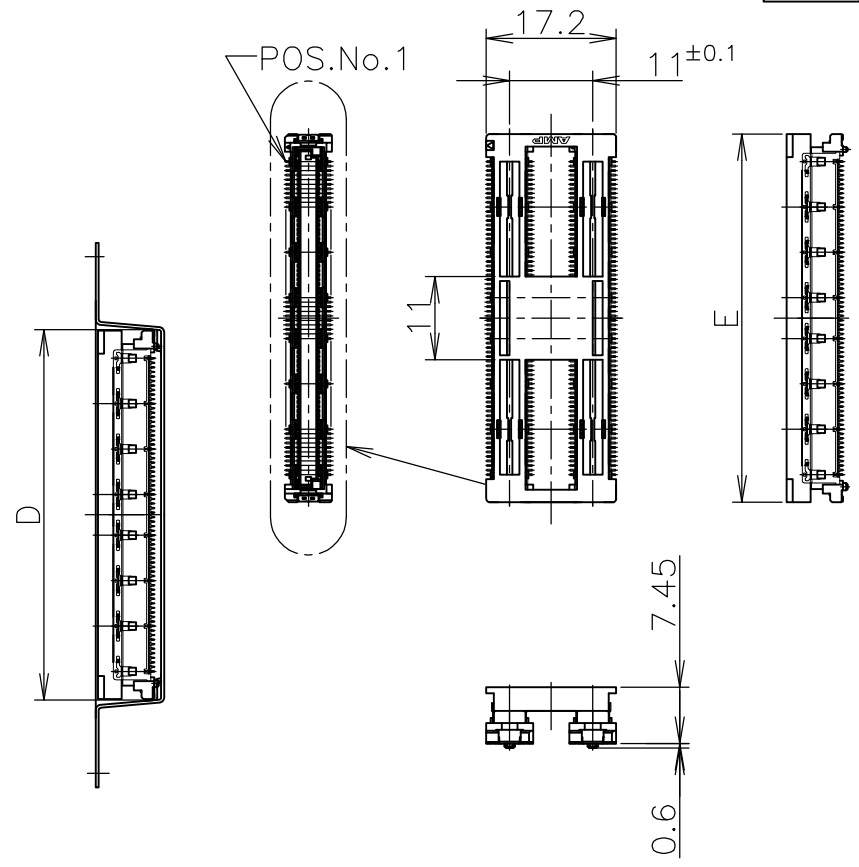
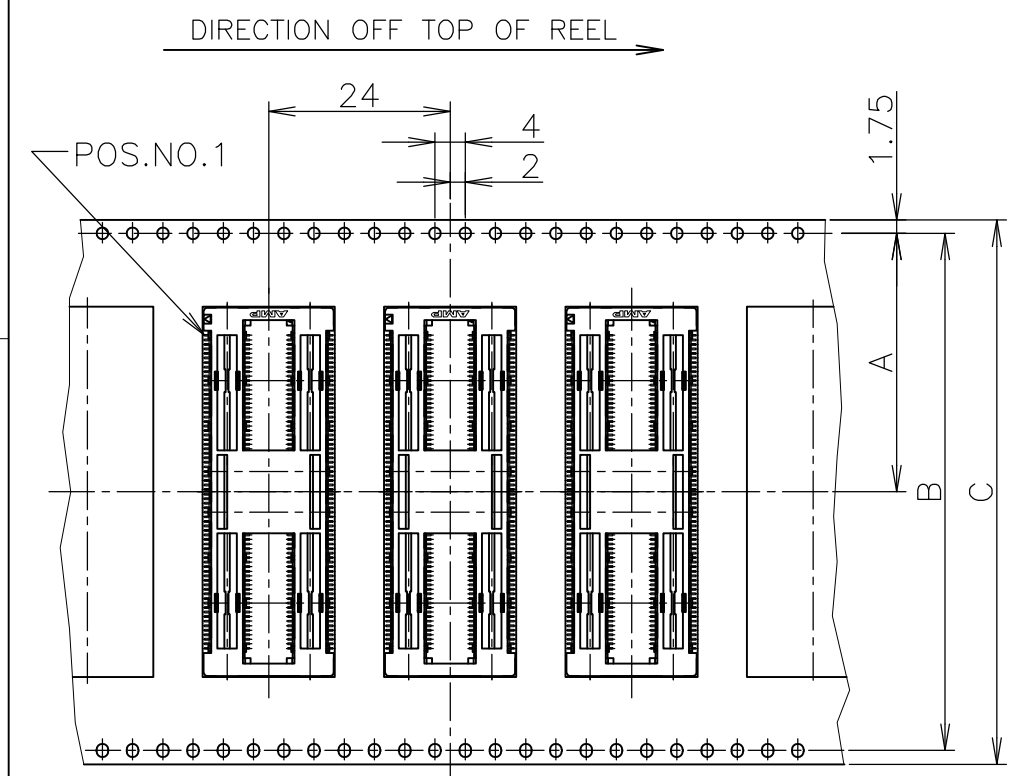
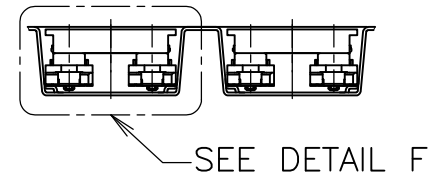


THIS DRAWING IS UNPUBLISHED. RELEASED FOR PUBLICATION JUN , 1996.
 © COPYRIGHT 1996 BY TYCO ELECTRONICS CORPORATION. ALL RIGHTS RESERVED.

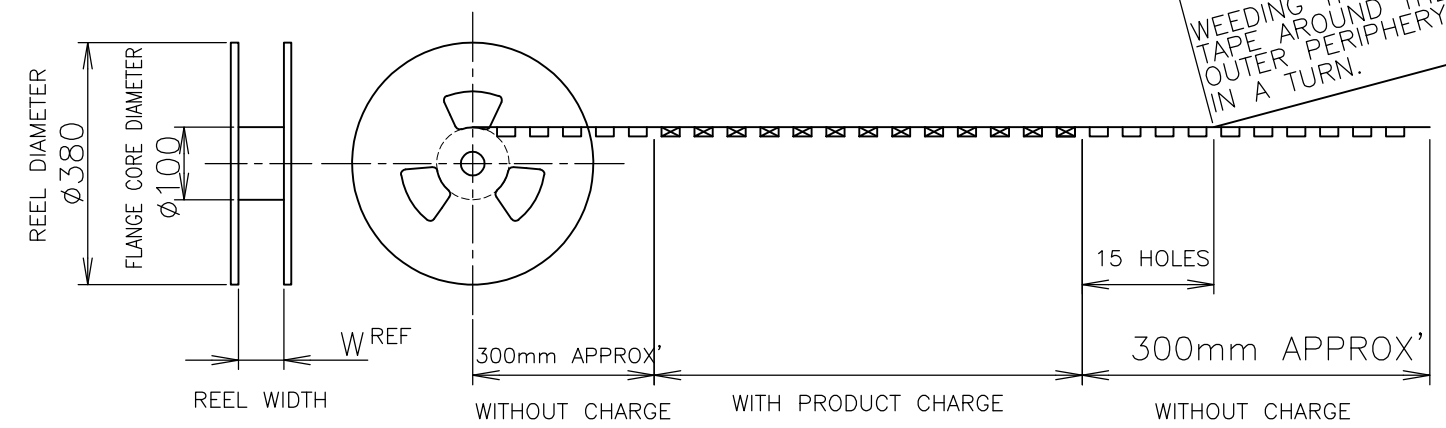
LOC	DIST	REVISIONS			DATE	DWN	APVD
		P	LTR	DESCRIPTION			
J		A	REVISED	ECR-08-000339	01FEB08	T.T	T.F



CONNECTOR DETAIL



WEEDING THE COVER TAPE AROUND THE OUTER PERIPHERY IN A TURN.



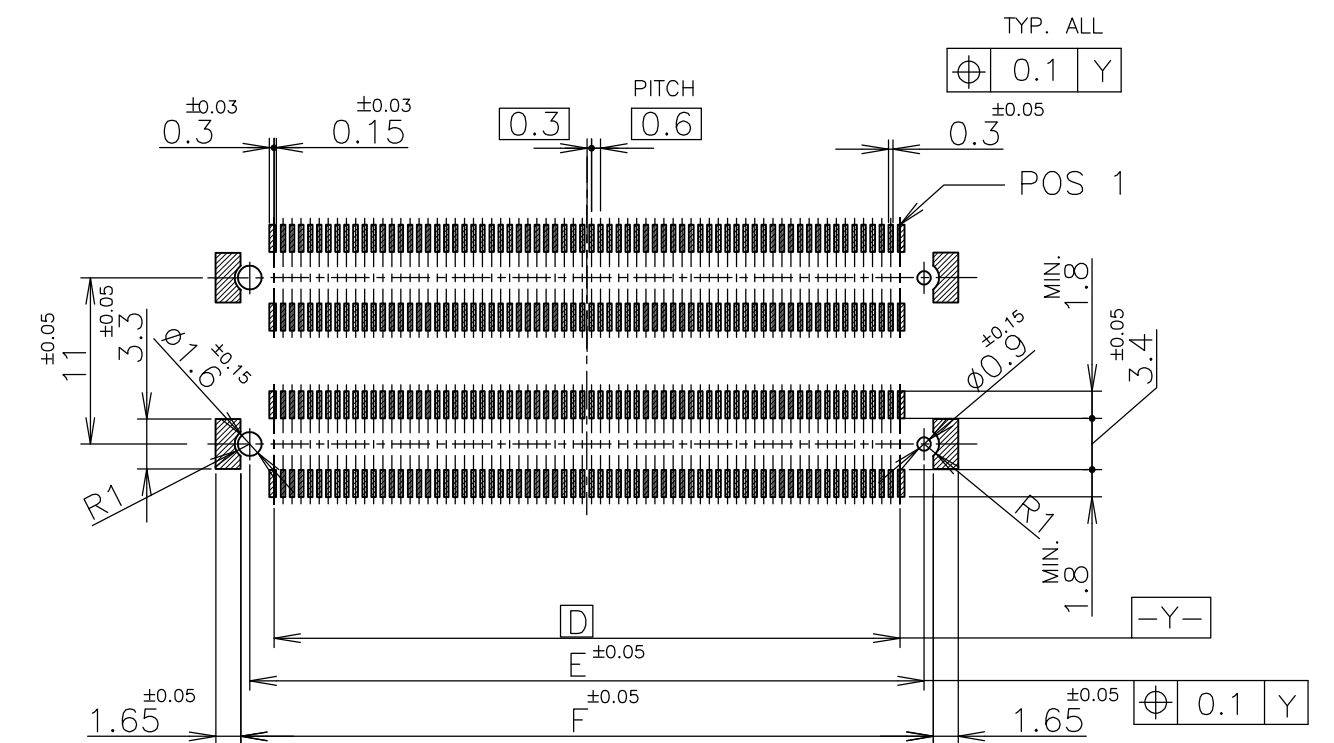
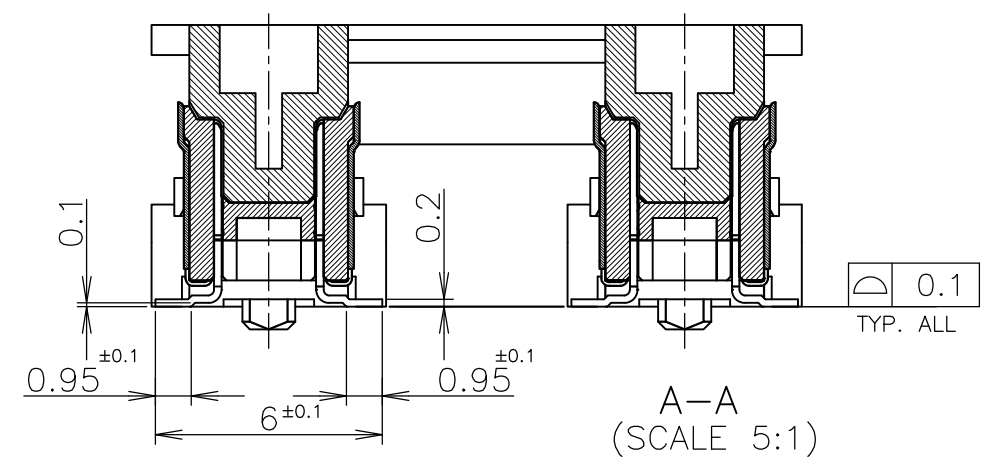
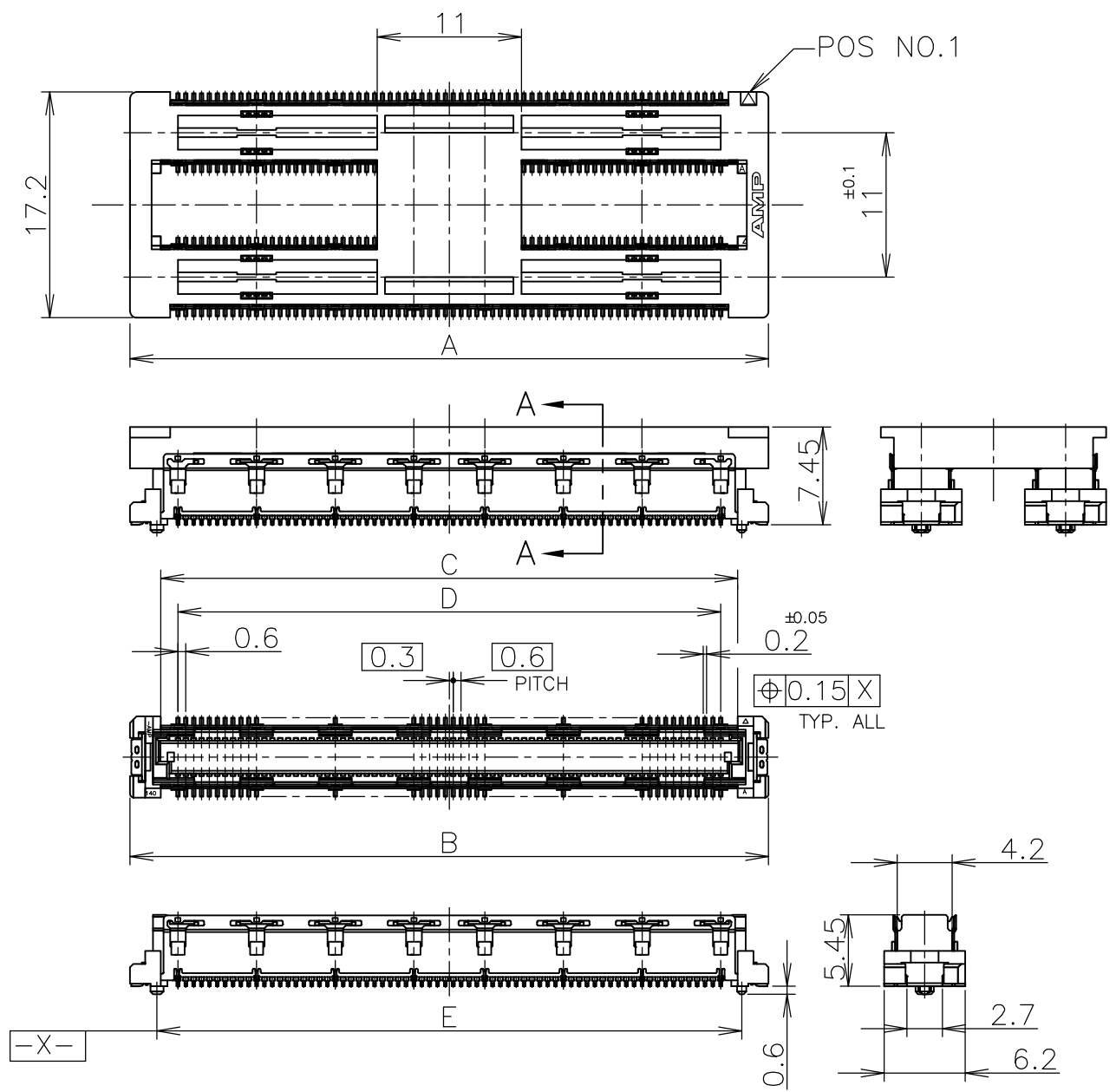
SEALANT	NOT AVAILABLE	400	77.5	54.7	55	72	68.4	34.2	320	6-5353232-1
	AVAILABLE	↑	77.5	48.7	49	72	68.4	34.2	280	6-↑-0
NON SEALANT	NOT AVAILABLE	↑	61.5	42.7	43	56	52.4	26.2	240	5-↑-9
	NOT AVAILABLE	400	61.5	36.7	37	56	52.4	26.2	200	5-5353232-8
NON SEALANT	NOT AVAILABLE	400	77.5	54.7	55	72	68.4	34.2	320	1-5353232-1
	AVAILABLE	↑	77.5	48.7	49	72	68.4	34.2	280	1-↑-0
NON SEALANT	NOT AVAILABLE	↑	61.5	42.7	43	56	52.4	26.2	240	↑-9
	NOT AVAILABLE	400	61.5	36.7	37	56	52.4	26.2	200	5353232-8
SEALANT	TOOLING STATUS	QTY.	W	E	D	C	B	A	POS.	PART NO.

THIS PRODUCT WAS COATED BY FLUX-PENETRATION-INHIBITING AGENT.

THIS DRAWING IS A CONTROLLED DOCUMENT.		DWN HAWKING HE 14DEC04	Tyco Electronics Corporation Kawasaki, Japan		
DIMENSIONS: 単位: 耗 mm	TOLERANCES UNLESS OTHERWISE SPECIFIED: 一般公差	CHK STEVEN YAO 14DEC04	NAME I.ENOMOTO 14DEC04		
MATERIAL 材料	FINISH 仕上	PRODUCT SPEC 製品規格 108-60047	EMBOSS ASSY FH 0.6BTB CONNECTOR PLUG 4H 2ROW TYPE W/G-PLATE		
		APPLICATION SPEC 取付適用規格 114-5255	SIZE A3	CAGE CODE 00779	DRAWING NO 番号 G-5353232
CUSTOMER DRAWING		WEIGHT	SCALE 尺度 1:1	SHEET 1 OF 3	REV A

THIS DRAWING IS UNPUBLISHED. RELEASED FOR PUBLICATION JUN ,1996.
 © COPYRIGHT 1996 BY TYCO ELECTRONICS CORPORATION. ALL RIGHTS RESERVED.

LOC	DIST	REVISIONS		
J		变更	DATE	DWN
P	LTR	DESCRIPTION		APVD
		SEE SHEET 1	-	-



REFERENCE P.C. BOARD LAYOUT

51.8	50.6	47.4	50	54.7	54.7	320	1-353120-1
45.8	44.6	41.4	44	48.7	48.7	280	1- -0
39.8	38.6	35.4	38	42.7	42.7	240	-9
33.8	32.6	29.4	32	36.7	36.7	200	353120-8
F	E	D	C	B	A	POS	CAP P/N

- ① MATERIAL ; HOUSING : HIGH TEMP THERMO PLASTIC UL94V-0
CONTACT : COPPER ALLOY
- ② FINISH ; UNDER PL Ni 0.0013mm MIN ALL OVER.
CONTACT AREA 0.0002 MIN Au PL.
SOLDERING AREA 0.001 MIN TIN PL.
- ③ THIS POSITION IS GROUND CIRCUIT.

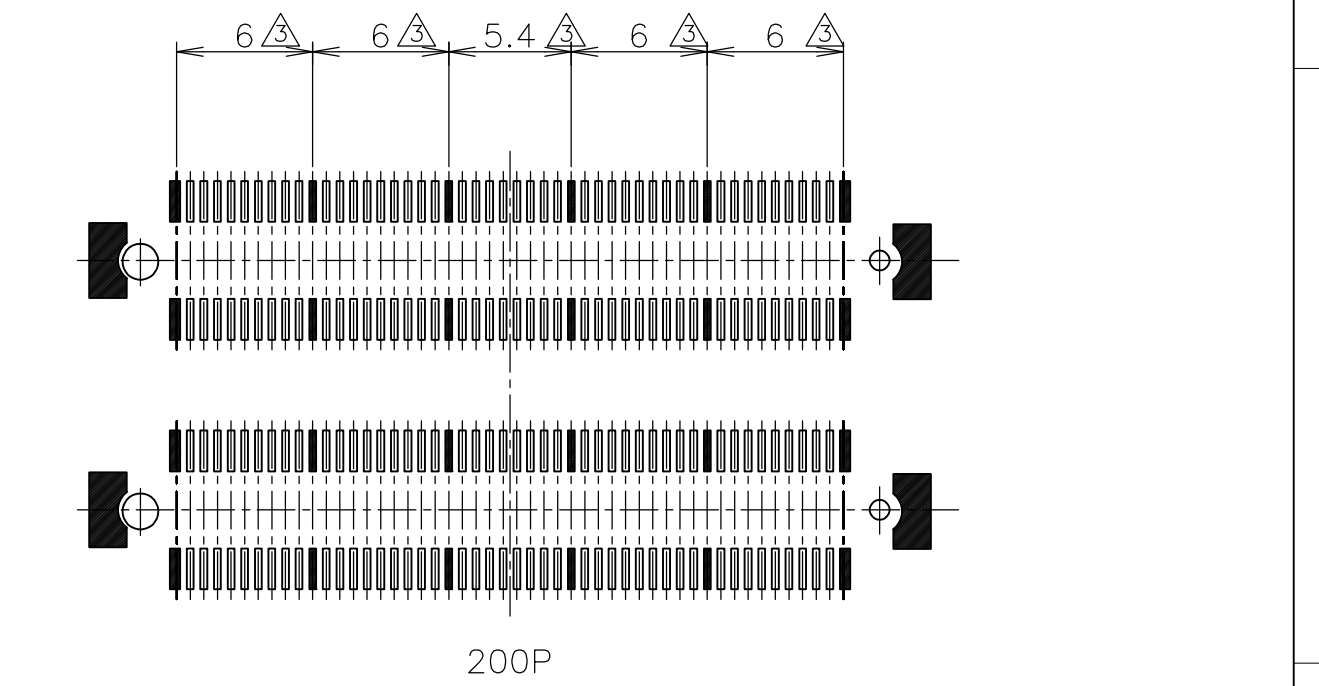
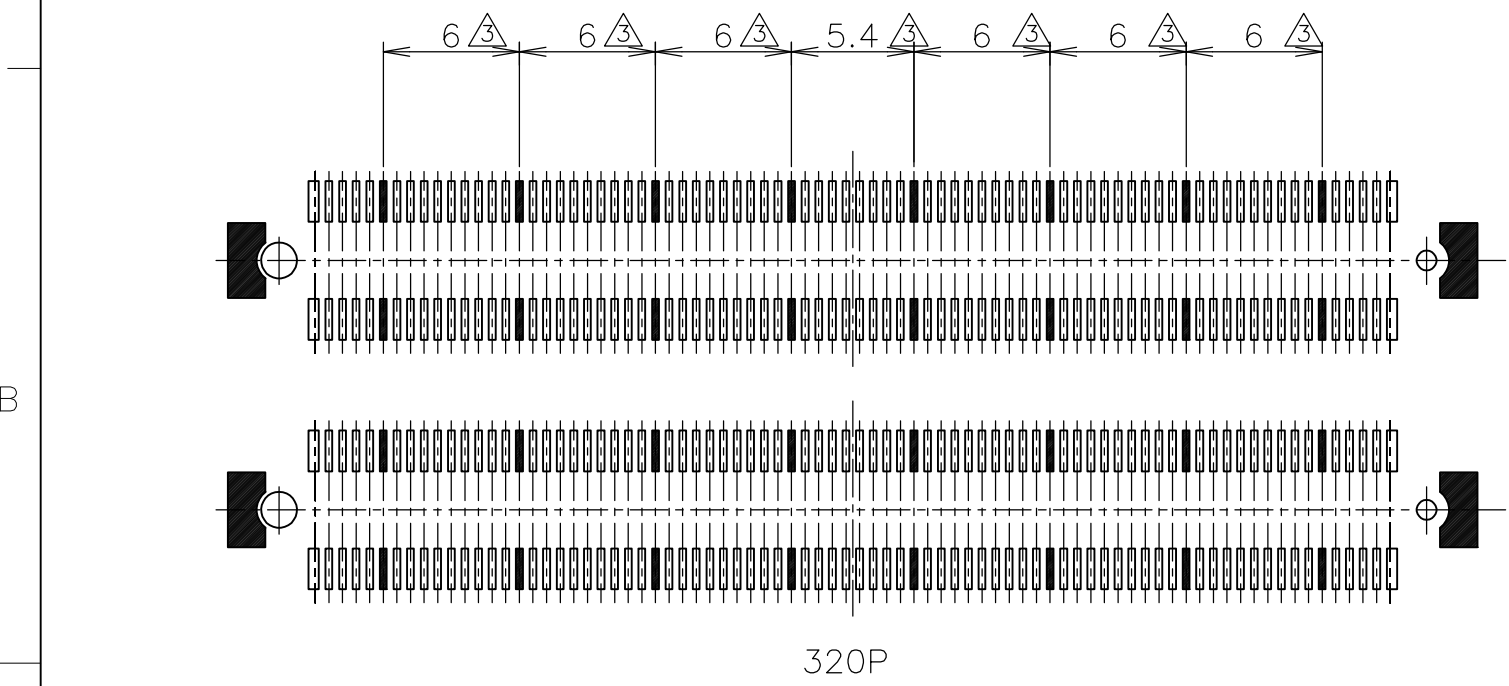
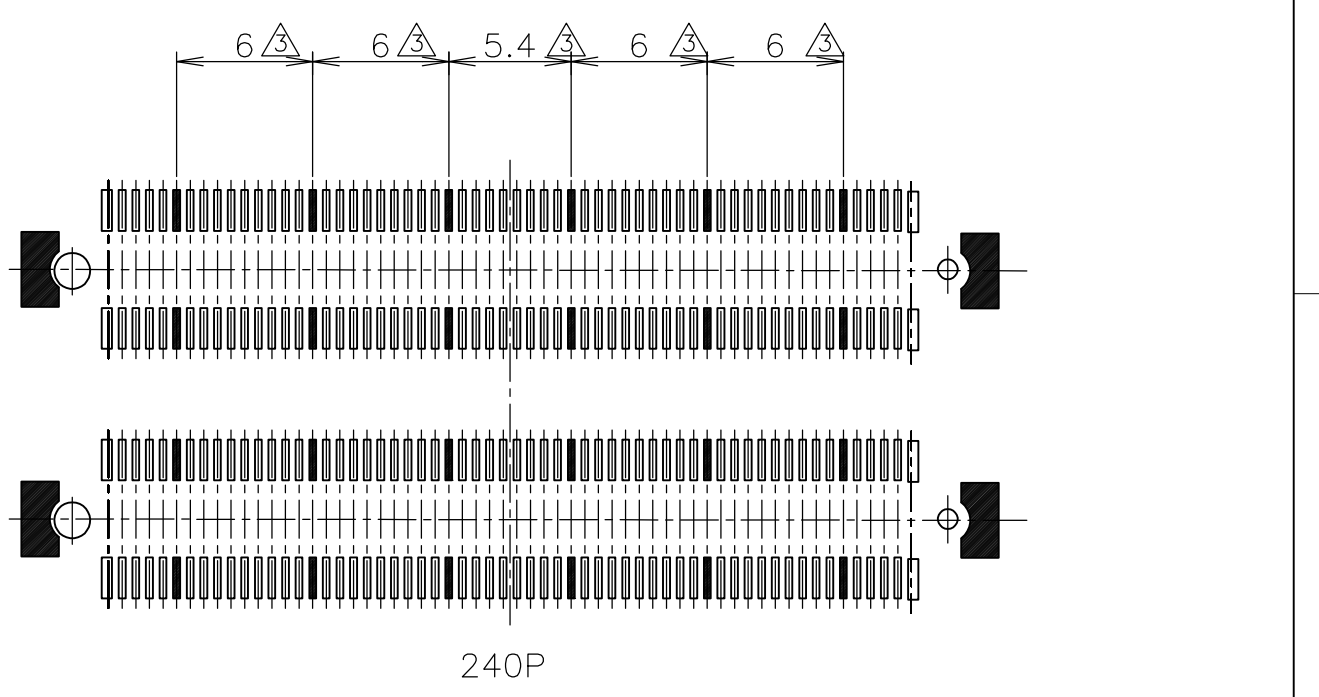
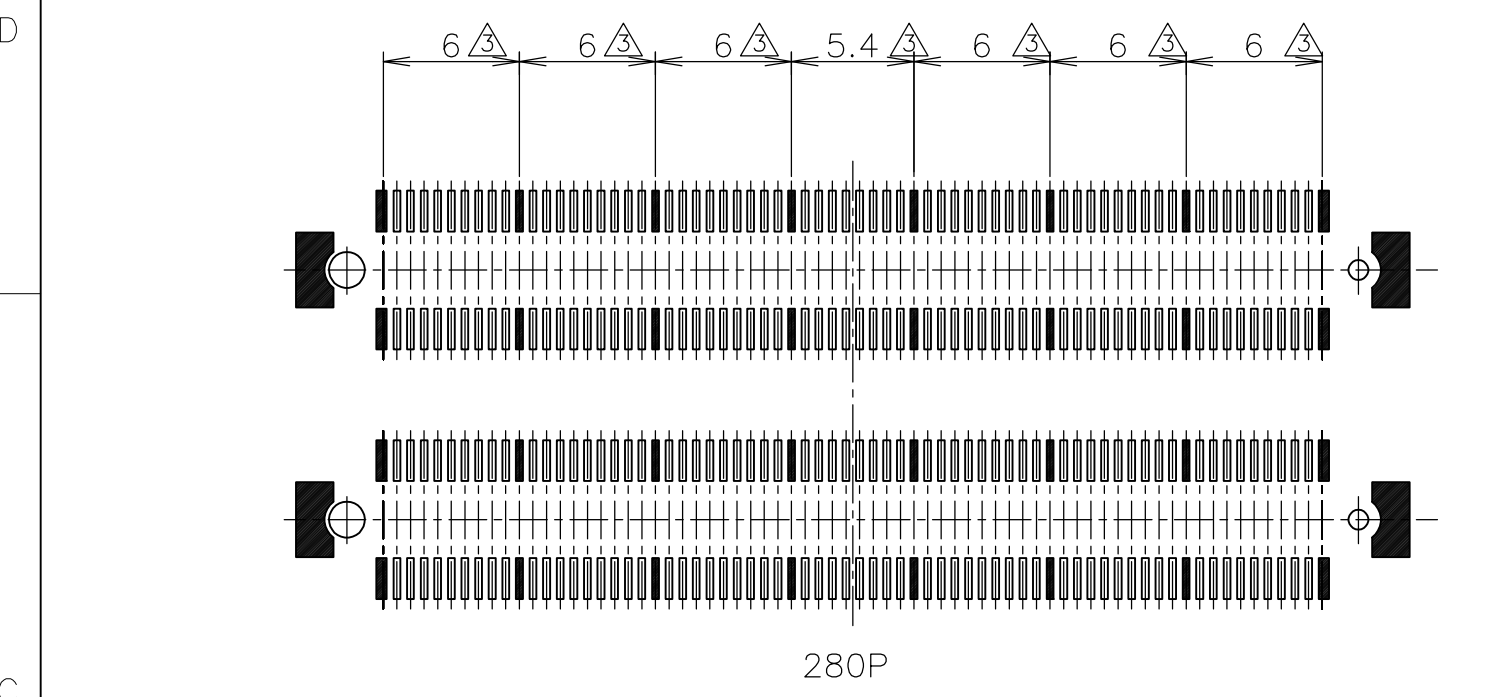
GENERAL TOLERANCE
一般公差

10 ≥	±0.2
30 ≥	>10:±0.25
100 ≥	>30:±0.3
ANGLES:±3°	

THIS DRAWING IS A CONTROLLED DOCUMENT.		DWN	Tyco Electronics Corporation Kawasaki, Japan	
DIMENSIONS: 单位: 耗 mm		CHK	NAME 名称	
TOLERANCES UNLESS OTHERWISE SPECIFIED: 一般公差		APVD	EMBOSS ASSY FH 0.6BTB CONNECTOR PLUG 4H 2ROW TYPE W/G-PLATE	
0 PLC ± - 1 PLC ± - 2 PLC ± - 3 PLC ± - 4 PLC ± - ANGLES ± -		PRODUCT SPEC 製品規格	SIZE	CAGE CODE
MATERIAL 材料		APPLICATION SPEC 取付適用規格	A3	00779
FINISH 仕上		WEIGHT	DRAWING NO 番号	RESTRICTED TO
①		G-5353232		
②		CUSTOMER DRAWING		SCALE 尺度 2:1
		SHEET 2 OF 3		REV A

THIS DRAWING IS UNPUBLISHED. RELEASED FOR PUBLICATION JUN , 1996.
 © COPYRIGHT 1996 BY TYCO ELECTRONICS CORPORATION. ALL RIGHTS RESERVED.

LOC	DIST	REVISIONS 変更			DATE	DWN	APVD
J		P	LTR	DESCRIPTION			
			-	SEE SHEET 1	-	-	-



GENERAL TOLERANCE
一般公差

10 ≥	±0.2
30 ≥	>10: ±0.25
100 ≥	>30: ±0.3
ANGLES: ±3°	

THIS DRAWING IS A CONTROLLED DOCUMENT.		DWN		Tyco Electronics Corporation Kawasaki, Japan																	
DIMENSIONS: 単位: 耗 mm		TOLERANCES UNLESS OTHERWISE SPECIFIED: 一般公差		NAME 名称																	
<table border="1"> <tr> <td>0 PLC</td> <td>±-</td> </tr> <tr> <td>1 PLC</td> <td>±-</td> </tr> <tr> <td>2 PLC</td> <td>±-</td> </tr> <tr> <td>3 PLC</td> <td>±-</td> </tr> <tr> <td>4 PLC</td> <td>±-</td> </tr> <tr> <td>ANGLES</td> <td>±-</td> </tr> </table>		0 PLC	±-	1 PLC	±-	2 PLC	±-	3 PLC	±-	4 PLC	±-	ANGLES	±-	<table border="1"> <tr> <td>PRODUCT SPEC 製品規格</td> <td></td> </tr> <tr> <td>APPLICATION SPEC 取付適用規格</td> <td></td> </tr> </table>		PRODUCT SPEC 製品規格		APPLICATION SPEC 取付適用規格		EMBOSS ASSY FH 0.6BTB CONNECTOR PLUG 4H 2ROW TYPE W/G-PLATE	
0 PLC	±-																				
1 PLC	±-																				
2 PLC	±-																				
3 PLC	±-																				
4 PLC	±-																				
ANGLES	±-																				
PRODUCT SPEC 製品規格																					
APPLICATION SPEC 取付適用規格																					
MATERIAL 材料	FINISH 仕上	SIZE	CAGE CODE	DRAWING NO 番号	RESTRICTED TO																
		A3	00779	G-5353232																	
CUSTOMER DRAWING				SCALE 尺度	SHEET 3 OF 3																
				3:1	REV A																

单击下面可查看定价，库存，交付和生命周期等信息

[>>TE Connectivity\(泰科\)](#)