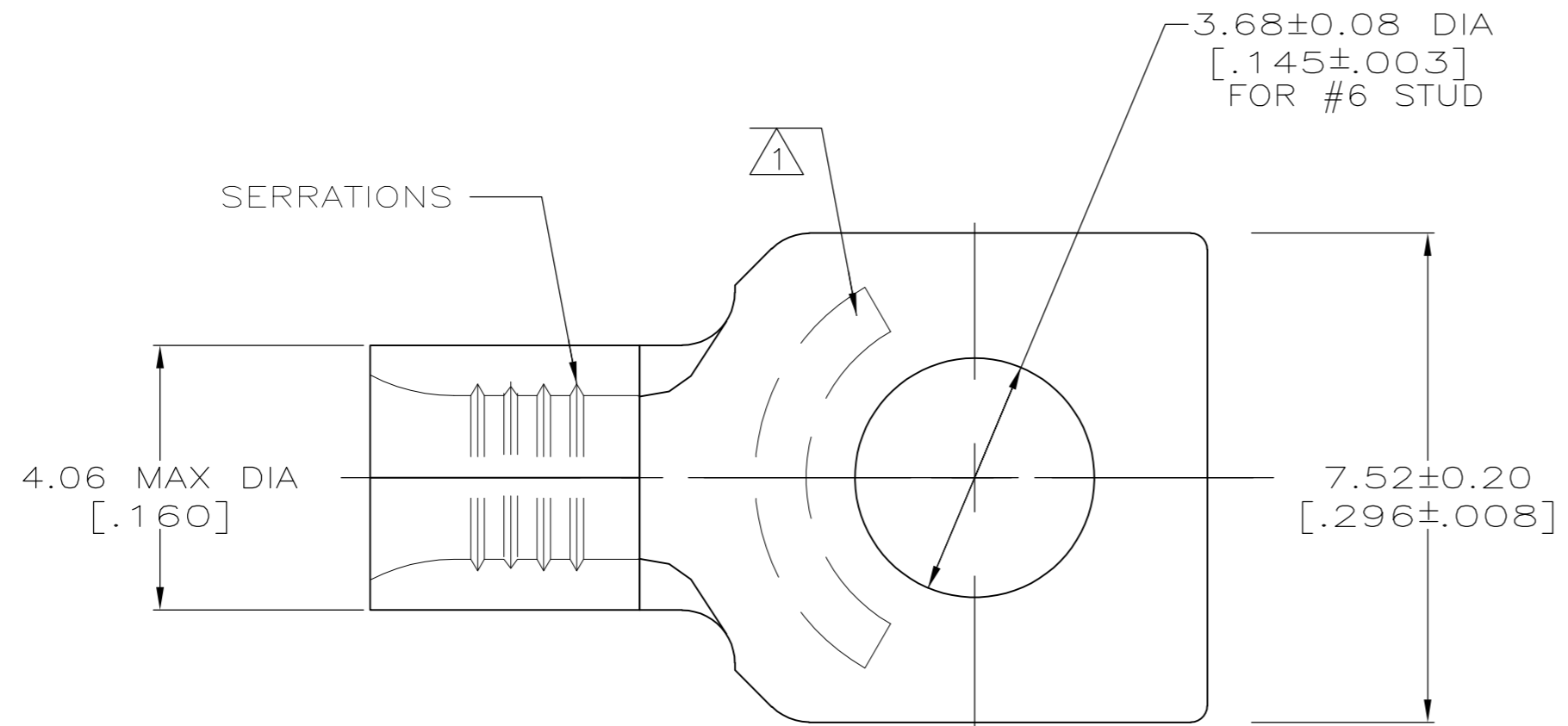


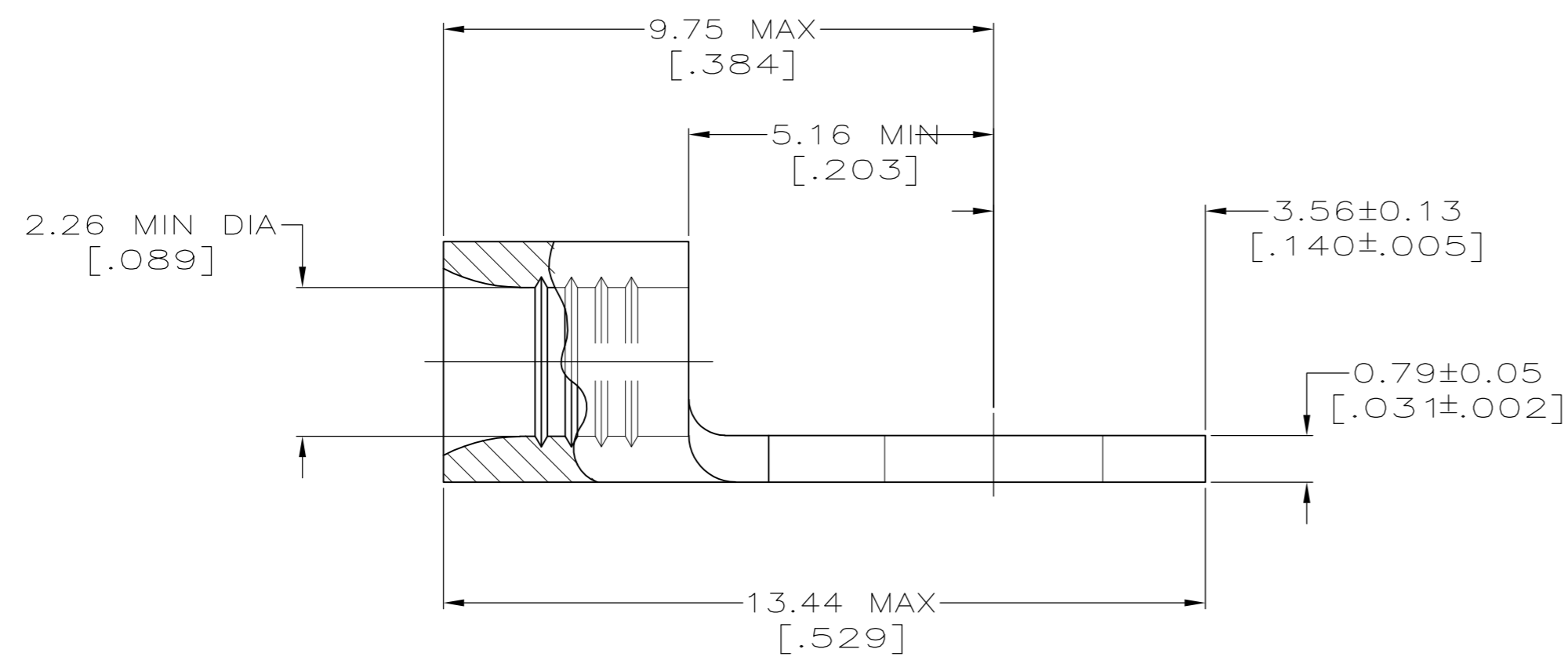
THIS DRAWING IS UNPUBLISHED. RELEASED FOR PUBLICATION
 © COPYRIGHT BY TYCO ELECTRONICS CORPORATION. ALL INTERNATIONAL RIGHTS RESERVED.

| LOC | DIST | REVISIONS | | | | | |
|-----|------|-----------|-----|---------------------------|---------|-----|------|
| G | 14 | P | LTR | DESCRIPTION | DATE | DWN | APVD |
| | | E1 | | REVISED PER ECR 09-023200 | 27OCT09 | JR | TM |



| | | |
|--------------------------|-----------------------|---------------------|
| AMP WIRE RANGE | Listed FILE E13288 | LR7189 Certified |
| 16-14 AWG STRANDED | 16-14 AWG STRANDED | NOT CERTIFIED |

- STAMP AMP 16-14*, APPROX AS SHOWN
- COPPER PER ASTM B-152, ANNEALED
- 0.00254 [.000100] MIN TIN PER ASTM B-545



31813
PART NUMBER

| | | |
|--|--|---|
| AMP INCORPORATED CUSTOMER SERVICE SYSTEMS | | MAX RECOMMENDED OPERATING TEMPERATURE: 170°C MAX |
| FOR ADDITIONAL PRODUCT INFORMATION OR COPIES OF DRAWINGS AND TECHNICAL DOCUMENTS | PRODUCT INFORMATION CENTER 1-800-522-6752 | VOLTAGE RATING: N/A |
| FOR APPLICATION TOOLING INFORMATION | TOOLING ASSISTANCE CENTER 1-800-722-1111 | CIRCULAR MIL AREA: 1.04-2.62mm ² [2,050-5,180] STRANDED |
| FOR ORDER ENTRY | 1-800-526-5142 | THIS DRAWING IS A CONTROLLED DOCUMENT FOR AMP INCORPORATED. IT IS SUBJECT TO CHANGE AND THE CONTROLLING ENGINEERING ORGANIZATION SHOULD BE CONTACTED FOR THE LATEST REVISION. |

| | | | |
|---|-------------|--|---|
| THIS DRAWING IS A CONTROLLED DOCUMENT. | | DWN TA BRINKMAN 1-28-93 | Tyco Electronics Corporation Harrisburg, PA 17105-3608 |
| DIMENSIONS: MM [INCHES] | | CHK DA PATTERSON 1-28-93 | |
| TOLERANCES UNLESS OTHERWISE SPECIFIED: 0 PLC ± - 1 PLC ± - 2 PLC ± 0.20 [.008] 3 PLC ± - 4 PLC ± - ANGLES ± - | | APVD JL MECKLEY 1-28-93 | |
| | | NAME TERMINAL, RECTANGULAR TONGUE, BUDGET | |
| MATERIAL - | FINISH - | PRODUCT SPEC - | SIZE A2 |
| CUSTOMER DRAWING | | APPLICATION SPEC - | CAGE CODE 00779 |
| | | WEIGHT - | DRAWING NO C=31813 |
| | | SCALE 10:1 | SHEET 1 of 1 |
| | | RESTRICTED TO - | REV E1 |

单击下面可查看定价，库存，交付和生命周期等信息

[>>TE Connectivity\(泰科\)](#)