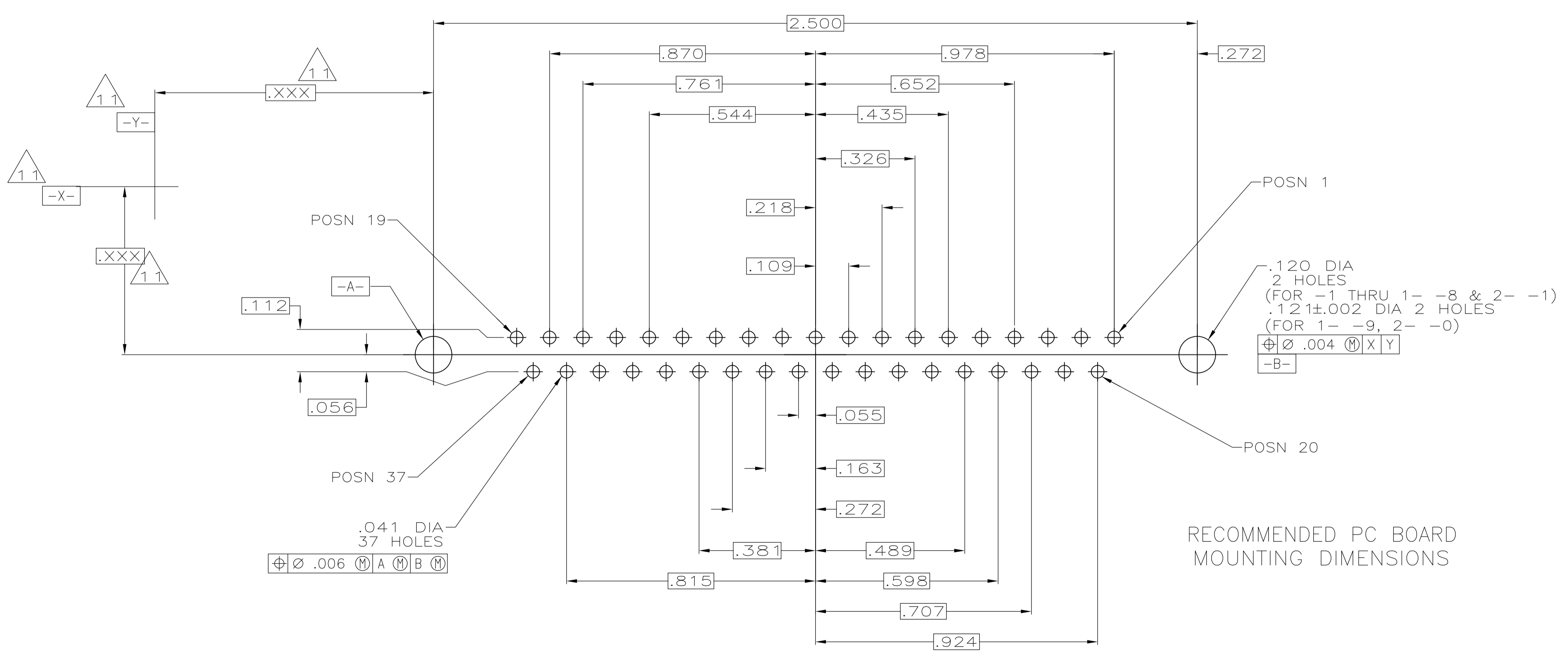
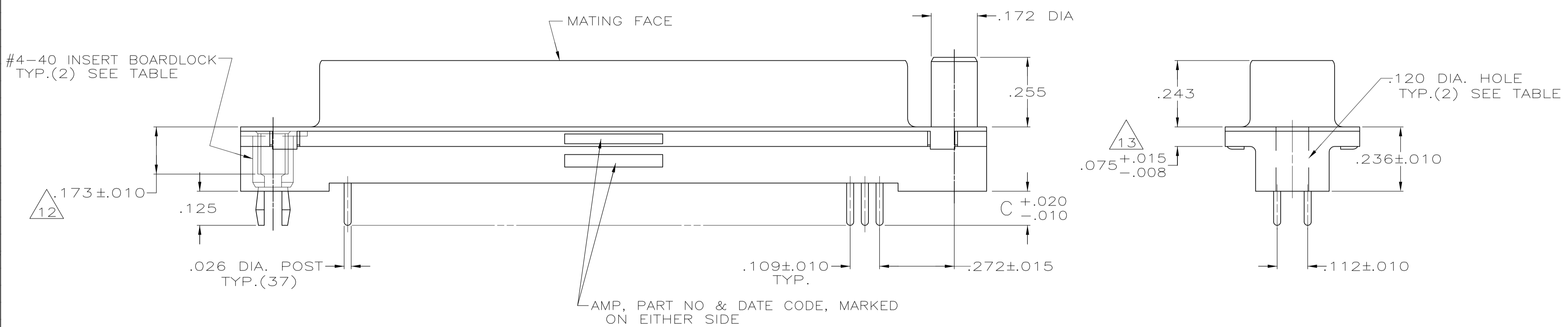
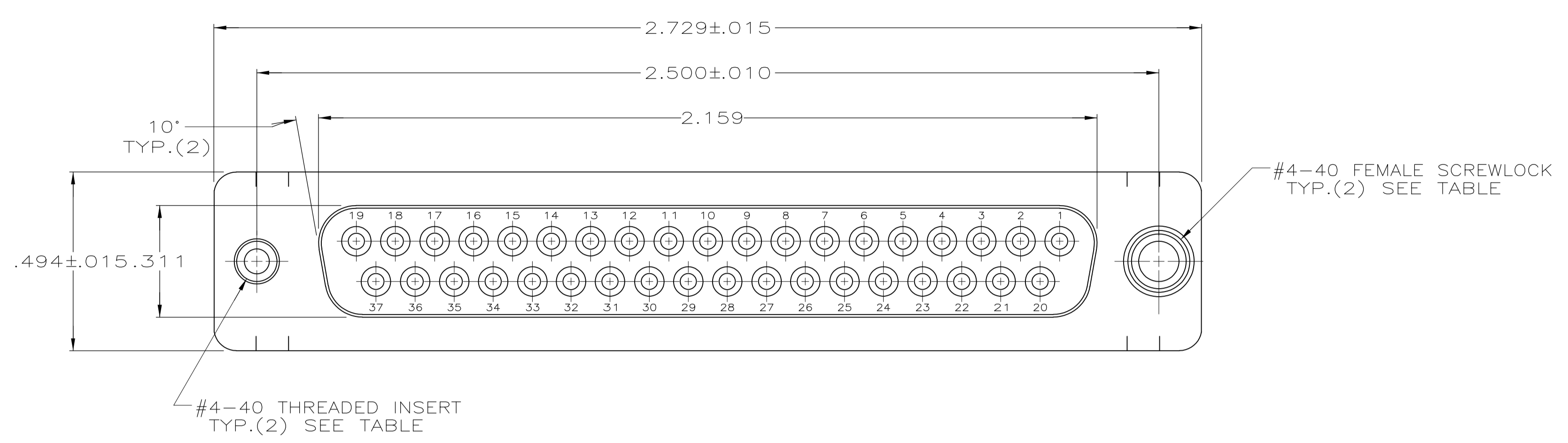


REVISIONS				
P	LTR	DESCRIPTION	DATE	APP'D
N		REVISED PER ECO-16-001548	08MAR2016	AP DG



- △ HOUSING: FLAME RETARDANT 94V-0 RATED THERMOPLASTIC; COLOR: BLACK.
- △ SHELL: CARBON STEEL.
- △ CONTACTS: PHOS. BRONZE.
- △ INSERTS & BOARDLOCKS: BRASS
- SCREWLOCKS: ZINC.
- 5. NOTE DELETED.
- △ SHELL: .000200 MIN TIN OVER .000100 MIN COPPER.
- △ INSERTS: UNPLATED, SCREWLOCKS: UNPLATED, BOARDLOCKS: TIN OVER COPPER.
- △ CONTACTS: GOLD FLASH FOR LENGTH OF .100 MIN FROM MATING END, .000100-.000200 BRIGHT TIN OR BRIGHT TIN LEAD ON TERMINATION END, ALL OVER .000050 NICKEL ON ENTIRE CONTACT.
- △ CONTACTS: .000030 GOLD FOR LENGTH OF .100 MIN FROM MATING END, .000100-.000200 BRIGHT TIN OR BRIGHT TIN LEAD ON TERMINATION END, ALL OVER .000050 NICKEL ON ENTIRE CONTACT.
- 10. NOTE DELETED.
- △ DATUMS AND BASIC DIMENSIONS ESTABLISHED BY CUSTOMER.
- △ RECOMMENDED SCREWLOCK IS 5747877-3 WITH RETENTION INSERTS.
- △ .110 MAX IN SHELL TAB CLINCH AREAS.

SUPERSEDED BY 1-747301-6	WITH FEMALE SCREWLOCKS	△	.170	2-747709-1
	WITH INSERT BOARDLOCKS	△	.125	2-747709-0
	OBSOLETE	△	.125	1-747709-9
	OBSOLETE	△	.250	1-747709-8
	OBSOLETE	△	.250	1-747709-7
SUPERSEDED BY 1-747301-6	WITH FEMALE SCREWLOCKS	△	.170	1-747709-6
	OBSOLETE	△	.170	1-747709-5
	OBSOLETE	△	.125	1-747709-4
	OBSOLETE	△	.125	1-747709-3
	OBSOLETE	△	.250	1-747709-2
	OBSOLETE	△	.250	1-747709-1
	OBSOLETE	△	.170	1-747709-0
	WITH THREADED INSERTS	△	.170	747709-9
	OBSOLETE	△	.125	747709-8
SUPERSEDED BY 747301-8		△	.125	747709-7
SUPERSEDED BY 747301-7		△	.250	747709-6
	OBSOLETE	△	.250	747709-5
	OBSOLETE	△	.170	747709-4
	OBSOLETE	△	.170	747709-3
	OBSOLETE	△	.125	747709-2
	OBSOLETE	△	.125	747709-1

THIS DRAWING IS A CONTROLLED DOCUMENT.

DIMENSIONS: INCHES	TOLERANCES UNLESS OTHERWISE SPECIFIED:	DIN S. WELDON 2-27-85	APVD J. GERACE 2-27-85	NAME R. BAER/R. BRANDT 2-27-85
0 PLC ± -	1 PLC ± -	2 PLC ± -	3 PLC ± .005	4 PLC ± -
ANGLES ± -				
MATERIAL	FINISH	WEIGHT	SIZE A1	SCALE NTS
1 2 3 4	6 7 8 9	114-40023	00779	1 of 1

RECEPTACLE ASSEMBLY, SIZE 4, 37 POS., VERTICAL, .026 DIA. DUPLEX PLATED POSTS, FRONT SHELL, AMPLIMITE

STE TE Connectivity

单击下面可查看定价，库存，交付和生命周期等信息

[>>TE Connectivity\(泰科\)](#)

[>>点击查看相关商品](#)