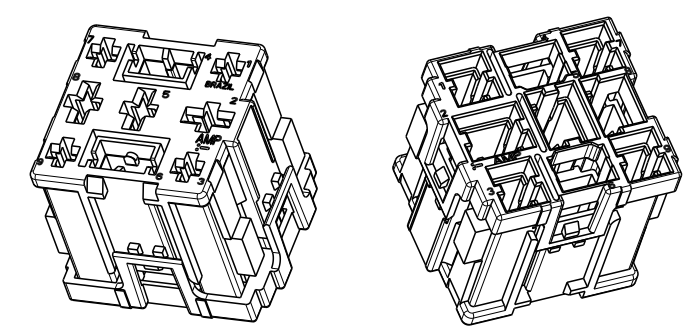
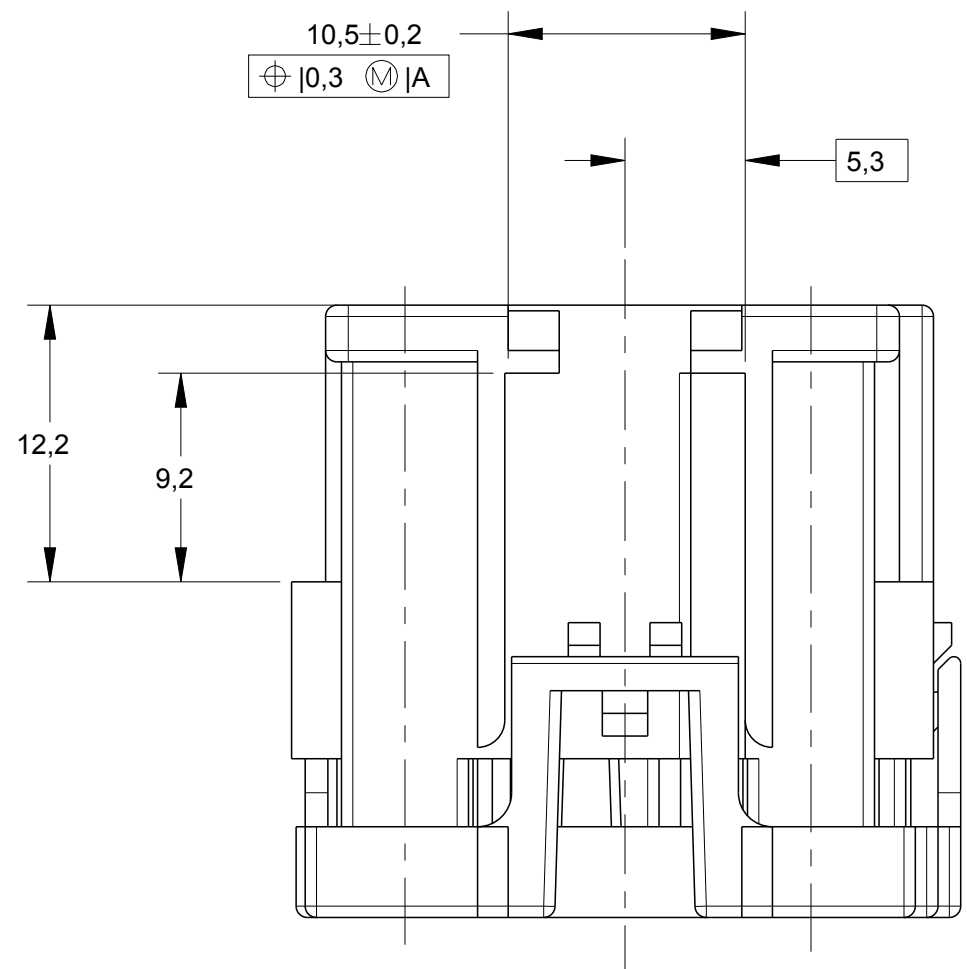
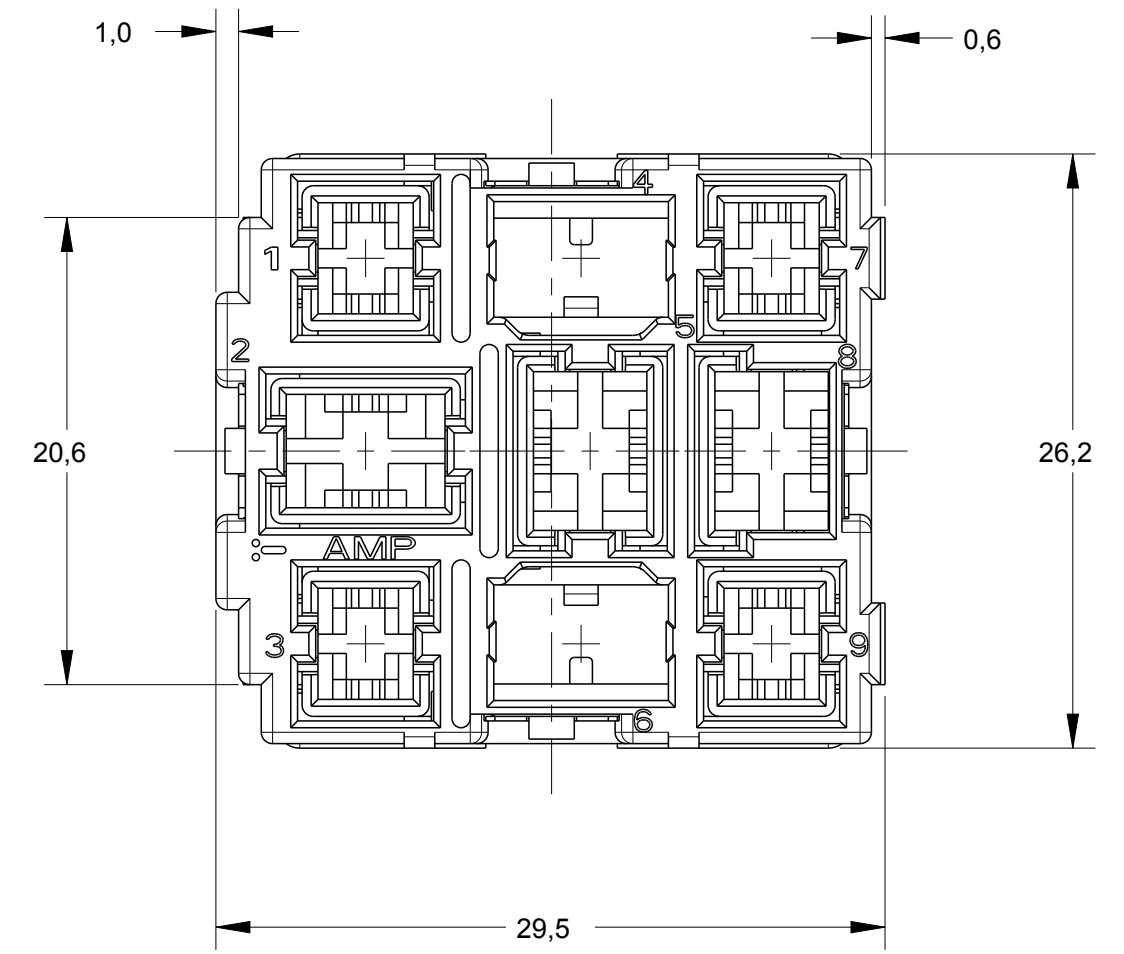
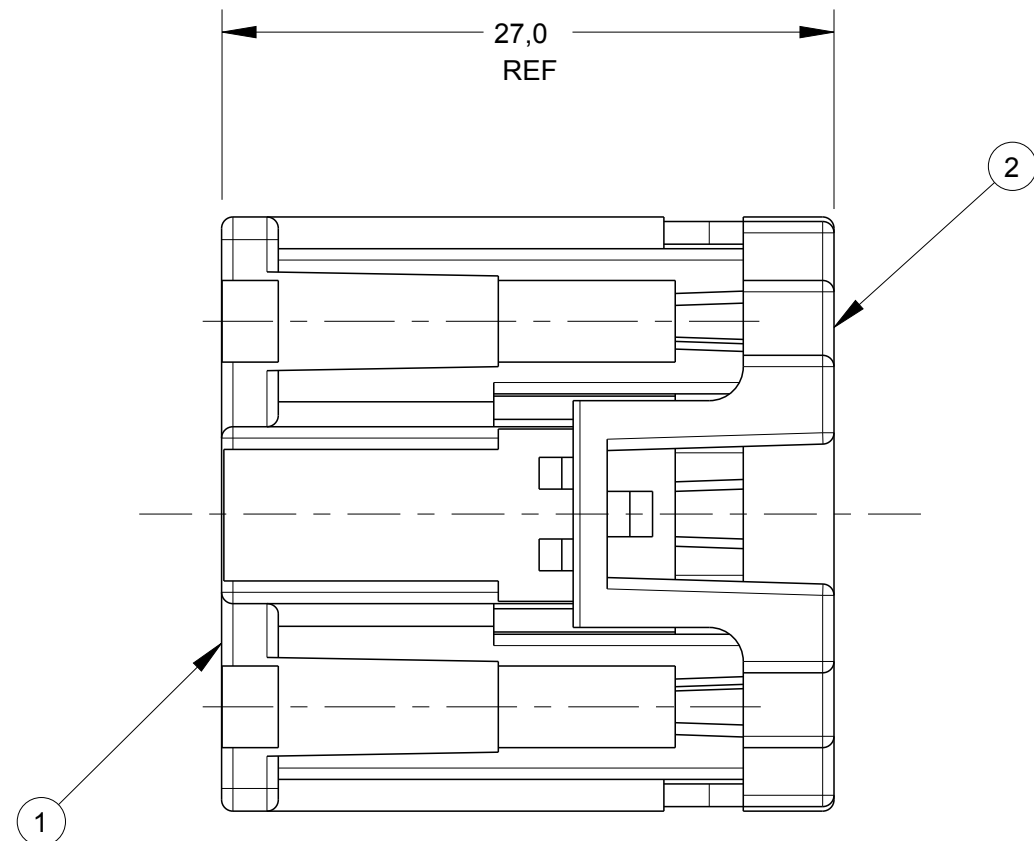
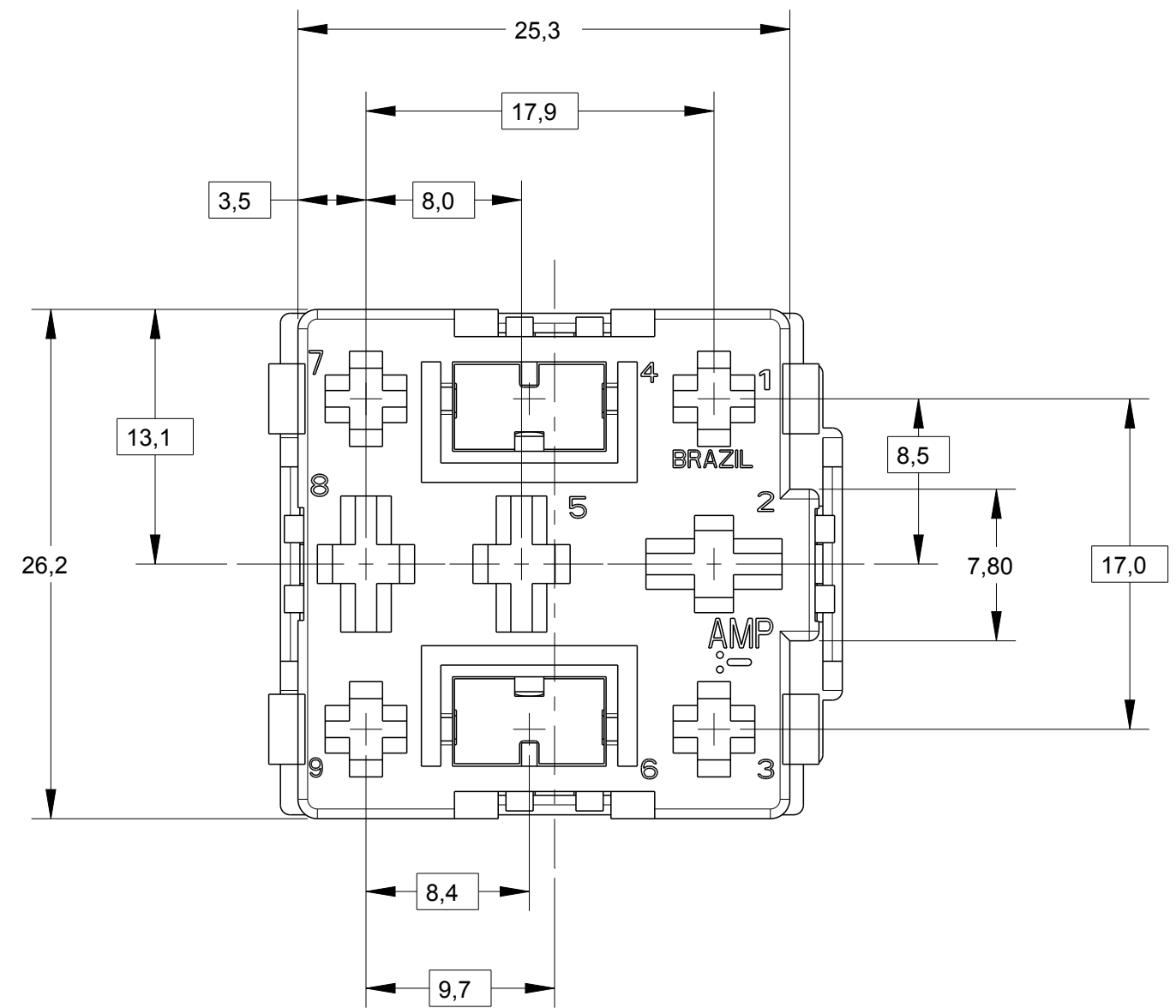


THIS DRAWING IS UNPUBLISHED. RELEASED FOR PUBLICATION 20  
 © COPYRIGHT 20 BY - ALL RIGHTS RESERVED.

**creo**  
 Creo Parametric 2.0  
**DO NOT REVISE  
 EXCEPT BY CAD**

REVISIONS				
P	LTR	DESCRIPTION	DATE	APVD
C		REVISED DESIGN ECO-13-018731	04DEC2013	NCL GOJ



PERSPECTIVE VIEWS  
 SCALE 1:1

1	1	1	1	1	1	1	1	1	1	1	1	1	2	DESCRIPTION	MATERIAL	FINISH
1	-	-	-	-	-	-	-	-	-	-	-	-	1	COVER CAP	PA6-20%GB+10%GF	VIOLETA / VIOLET
-	1	-	-	-	-	-	-	-	-	-	-	-	1	HOUSING,9 POSN.,COMB.JR/STD POWER TIMER	PA6.6+15%GF	NATURAL
-	-	1	-	-	-	-	-	-	-	-	-	-	1	HOUSING,9 POSN.,COMB.JR/STD POWER TIMER	PA6.6+15%GF	LARANJA /ORANGE
-	-	-	1	-	-	-	-	-	-	-	-	-	1	HOUSING,9 POSN.,COMB.JR/STD POWER TIMER	PA6.6+15%GF	ROSA / PINK
-	-	-	-	1	-	-	-	-	-	-	-	-	1	HOUSING,9 POSN.,COMB.JR/STD POWER TIMER	PA6.6+15%GF	VIOLETA / VIOLET
-	-	-	-	-	1	-	-	-	-	-	-	-	1	HOUSING,9 POSN.,COMB.JR/STD POWER TIMER	PA6.6+15%GF	CINZA / GRAY
-	-	-	-	-	-	1	-	-	-	-	-	-	1	HOUSING,9 POSN.,COMB.JR/STD POWER TIMER	PA6.6+15%GF	VERDE / GREEN
-	-	-	-	-	-	-	1	-	-	-	-	-	1	HOUSING,9 POSN.,COMB.JR/STD POWER TIMER	PA6.6+15%GF	BRANCO / WHITE
-	-	-	-	-	-	-	-	1	-	-	-	-	1	HOUSING,9 POSN.,COMB.JR/STD POWER TIMER	PA6.6+15%GF	AZUL / BLUE
-	-	-	-	-	-	-	-	-	1	-	-	-	1	HOUSING,9 POSN.,COMB.JR/STD POWER TIMER	PA6.6+15%GF	AMARELO / YELLOW
-	-	-	-	-	-	-	-	-	-	1	-	-	1	HOUSING,9 POSN.,COMB.JR/STD POWER TIMER	PA6.6+15%GF	VERMELHO / RED
-	-	-	-	-	-	-	-	-	-	-	1	-	1	HOUSING,9 POSN.,COMB.JR/STD POWER TIMER	PA6.6+15%GF	MARROM / BROWN
-	-	-	-	-	-	-	-	-	-	-	-	1	1	HOUSING,9 POSN.,COMB.JR/STD POWER TIMER	PA6.6+15%GF	PRETO / BLACK

QUANTIDADE POR CONJUNTO / REQUIRED PER ASSY

1--2	1--1	1--0	-9	-8	-7	-6	-5	-4	-3	-2	-1	ITEM	DESCRIPTION	MATERIAL	FINISH
444017															

THIS DRAWING IS A CONTROLLED DOCUMENT.

DIMENSIONS:	TOLERANCES UNLESS OTHERWISE SPECIFIED:	DWN 04OCT2000 H.LIVERARO	04OCT2000
mm	0 PLC ± 1 PLC ±0,3 2 PLC ± 3 PLC ± 4 PLC ±	CHK P.L.FARIA 05OCT2000	05OCT2000
	ANGLES ±1°	APVD J.A.MARSON 05OCT2000	
MATERIAL	FINISH	PRODUCT SPEC	NAME
SEE TABLE	-	108-37013	-
		APPLICATION SPEC	SIZE
		WEIGHT	A2
		CUSTOMER DRAWING	CAGE CODE
			DRAWING NO
			RESTRICTED TO
			C-444017
			SCALE 3:1
			SHEET 1 OF 1
			REV C

TE Connectivity

HSG.,ASSY.,9 POSN.  
 COMB. JR.,STD POWER TIMER

单击下面可查看定价，库存，交付和生命周期等信息

[>>TE Connectivity\(泰科\)](#)