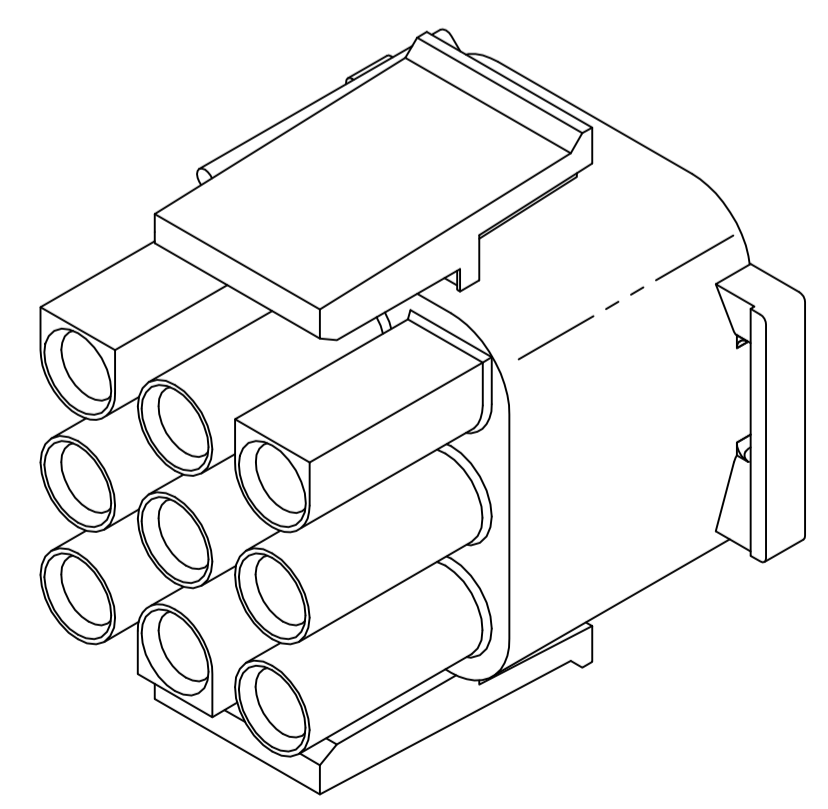
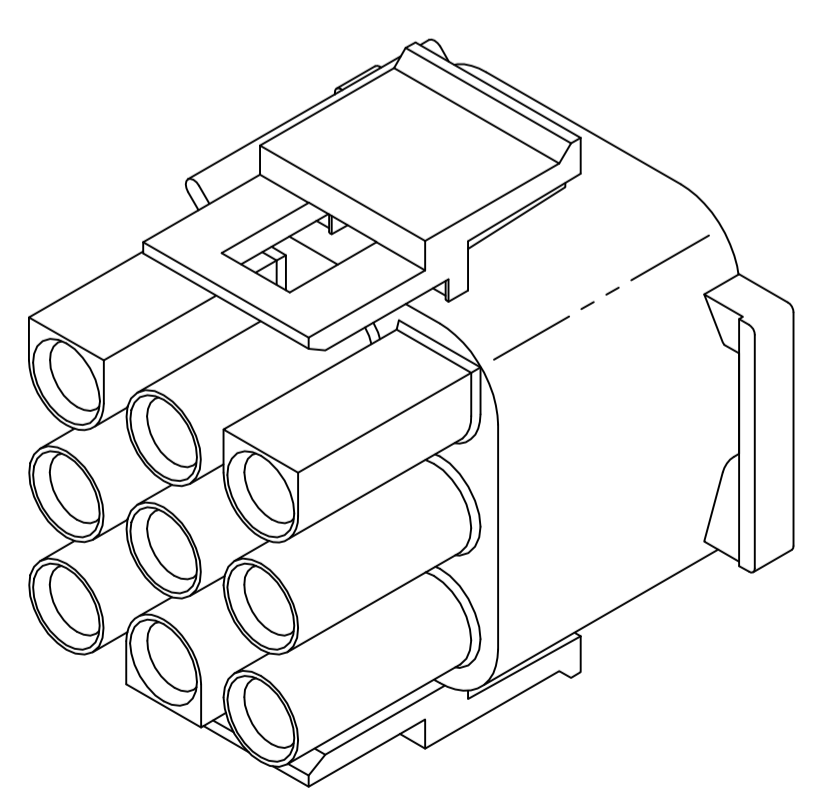
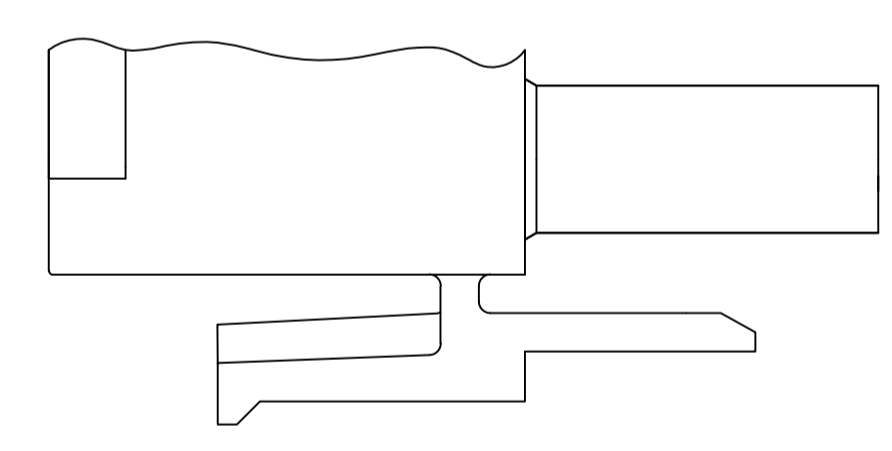
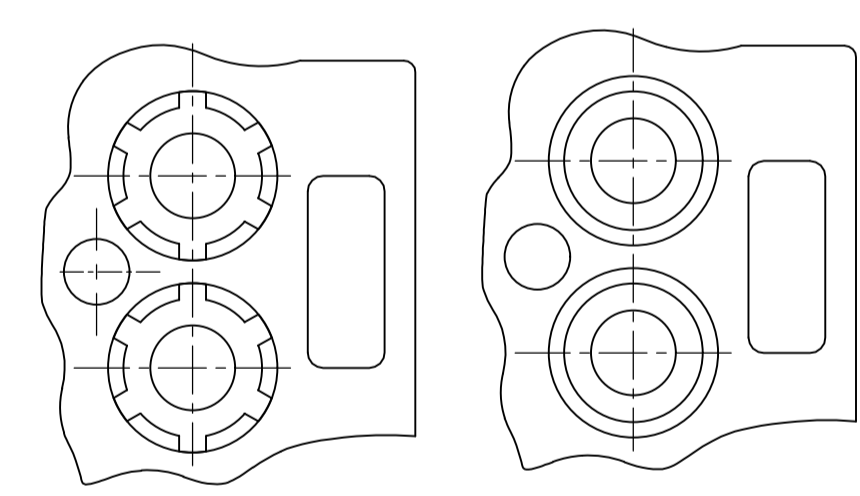
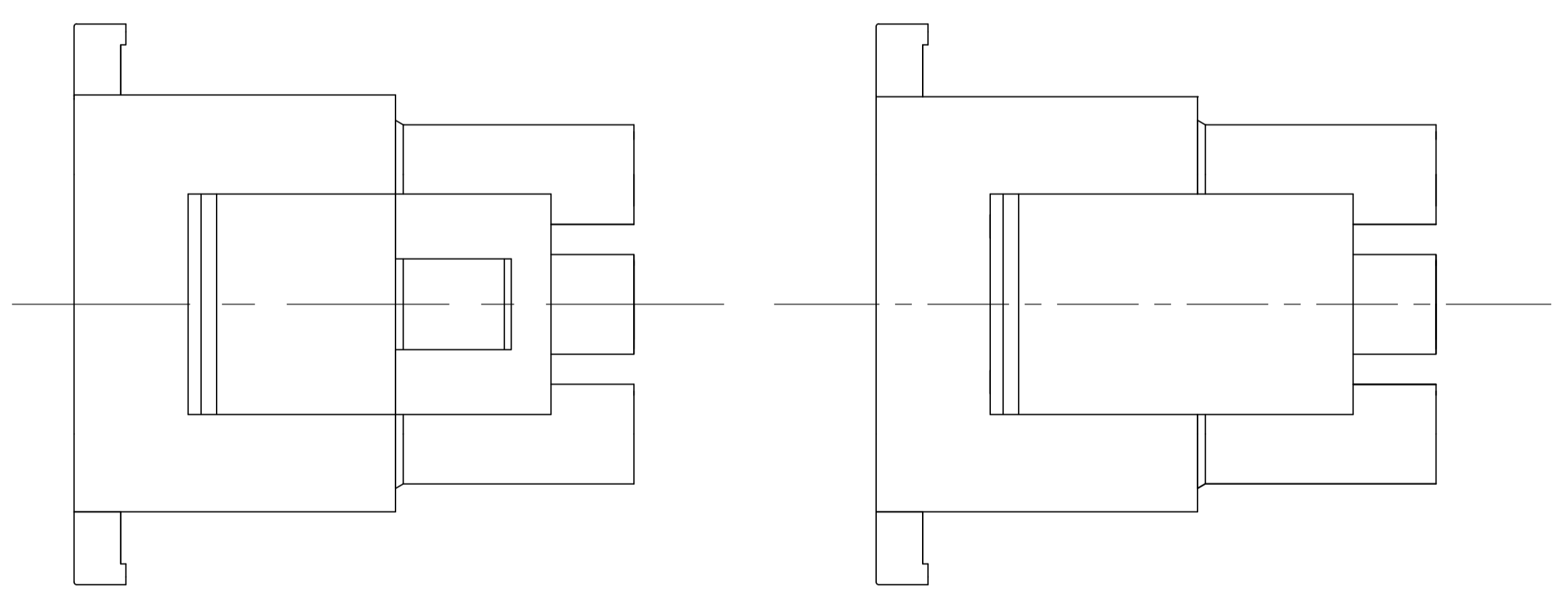


- MATES WITH APPROPRIATE UNIVERSAL MATE-N-LOK CAP OR HEADER.
- SMALL NICKS ARE PERMITTED ON THE CIRCUIT TOWERS WHICH COULD INCREASE THE INITIAL HOUSING MATING FORCE BY UP TO 4.4 NEWTONS [1.0] LBS. NO INDIVIDUAL NICKED TOWER SHALL INCREASE THIS FORCE BY OVER 2.2 NEWTONS [.5] LBS.
- DIMENSIONS SHOWN REPRESENT PRODUCT IN DRY, AS MOLDED, CONDITION. ADDITIONAL 2% GROWTH DUE TO SUBSEQUENT MOISTURE ABSORPTION MAY OCCUR AND SHOULD BE ACCOUNTED FOR.
- FOUR RIBS EQUALLY SPACED, NO SPECIFIC ORIENTATION, NO RIBS OR SIX RIBS EQUALLY SPACED, NO SPECIFIC ORIENTATION, OPTIONAL.
- NOT MANUFACTURED IN THE UNITED STATES.
- UNDERWRITERS RECOGNIZED COMPONENT LOGO AND CSA CERTIFICATION LOGO TO BE LOCATED ONCE ON EACH SIDE OF HOUSING.
- NYLON, UL94V-0.



BLACK	1-350720-9
GRAY	1-350720-8
BLUE	1-350720-6
GREEN	1-350720-5
YELLOW	1-350720-4
ORANGE	1-350720-3
RED	1-350720-2
BROWN	1-350720-1
NATURAL	350720-4
NATURAL	350720-1
COLOR	PART NUMBER

THIS DRAWING IS A CONTROLLED DOCUMENT.		DMN: S. HAMM 07JUN01	 TE Connectivity
DIMENSIONS: mm [INCHES]		CHK: S. RIDGILL 07JUN01	
TOLERANCES UNLESS OTHERWISE SPECIFIED:		APVD: S. RIDGILL 07JUN01	NAME: PLUG, 9 CIRCUIT, UNIVERSAL MATE-N-LOK
0. PLC ± -	1. PLC ± -	PRODUCT SPEC	SIZE: A1
2. PLC ± 0.13 [.005]	3. PLC ± -	APPLICATION SPEC	CAGE CODE: 00779
4. PLC ± -	ANGLES ± *30'	WEIGHT	DRAWING NO: 350720
MATERIAL: -	FINISH: -	CUSTOMER DRAWING	RESTRICTED TO: -
		SCALE: 4:1	SHEET: 1 OF 1
		REV: AA5	

单击下面可查看定价，库存，交付和生命周期等信息

[>>TE Connectivity\(泰科\)](#)