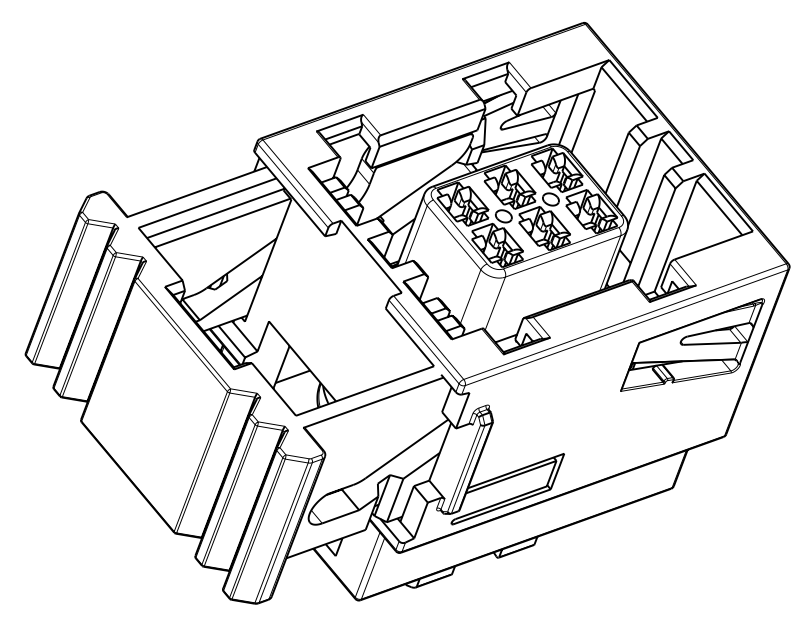
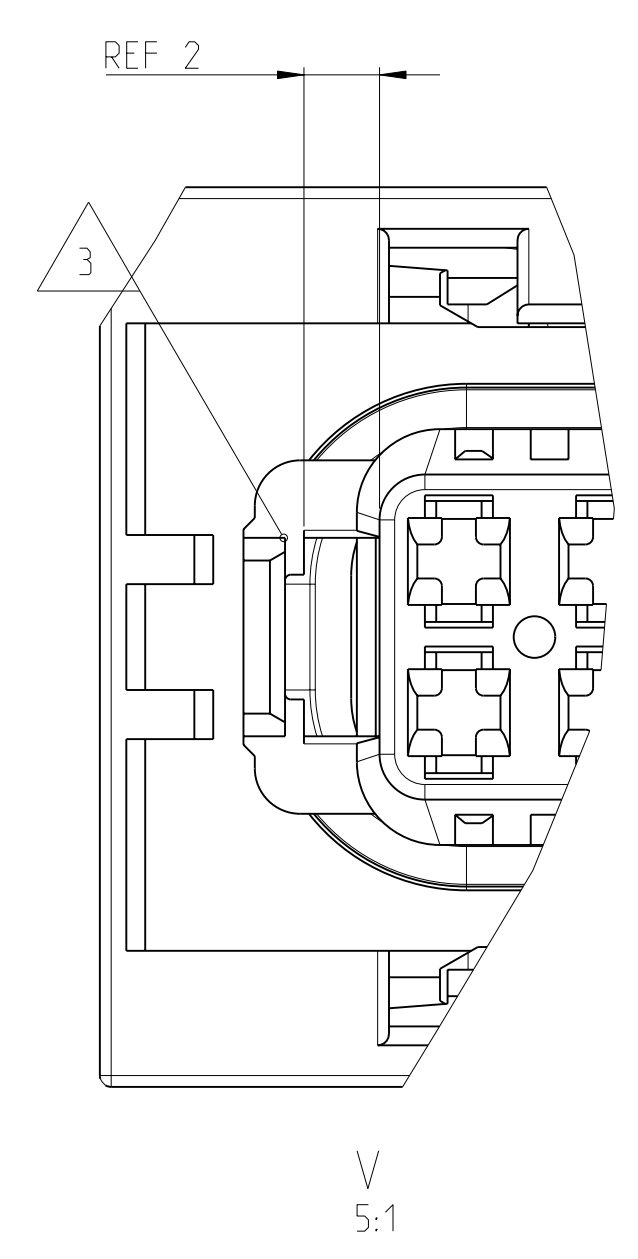
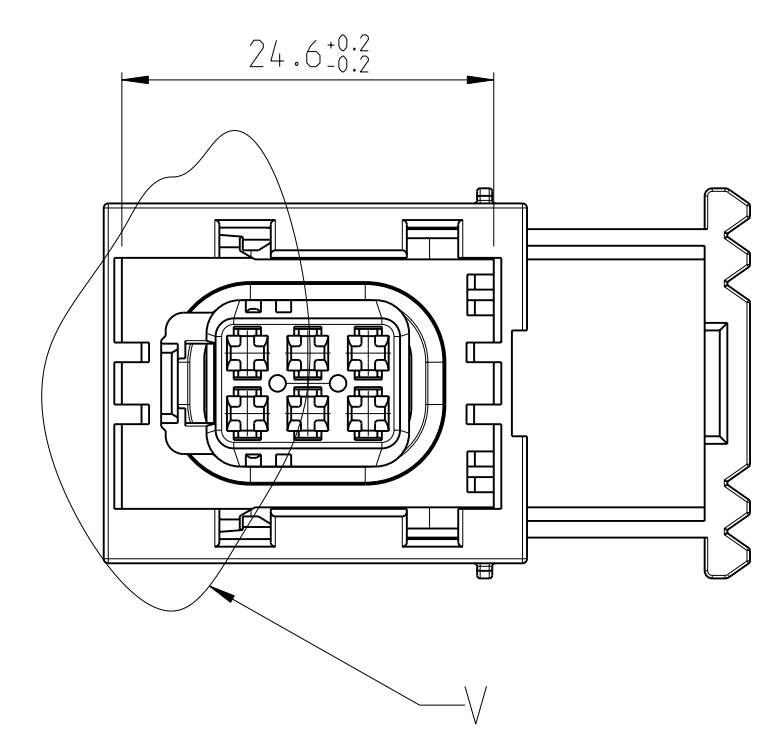
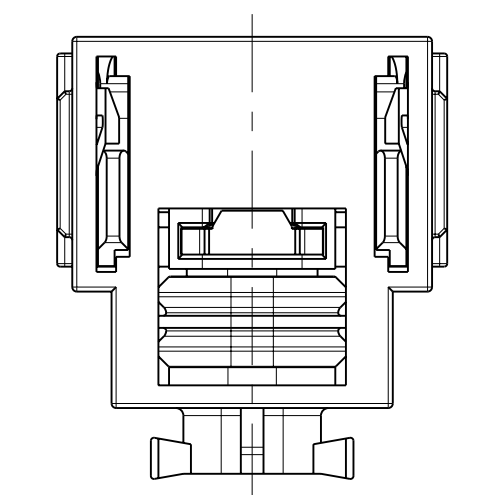
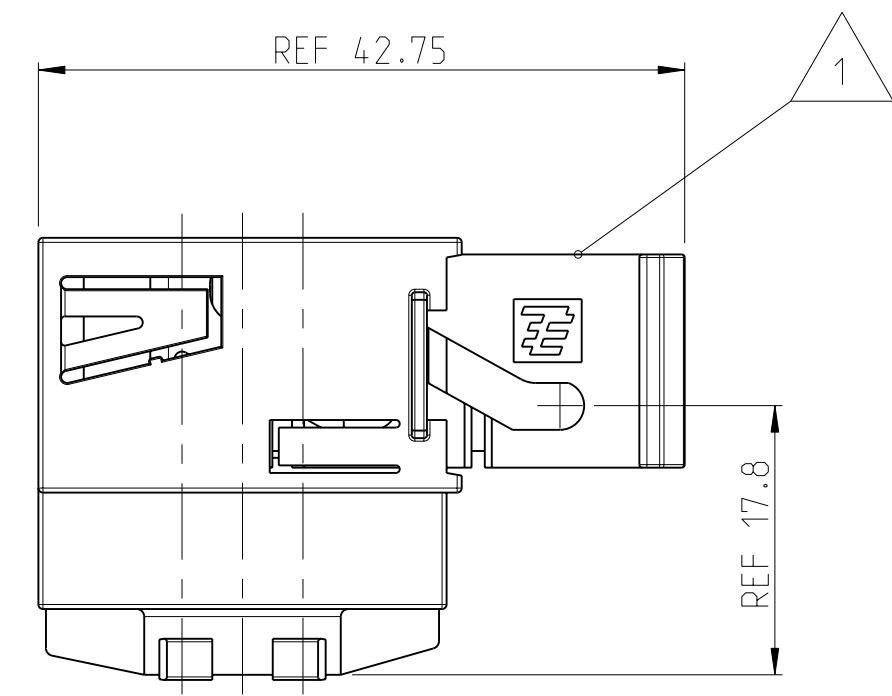
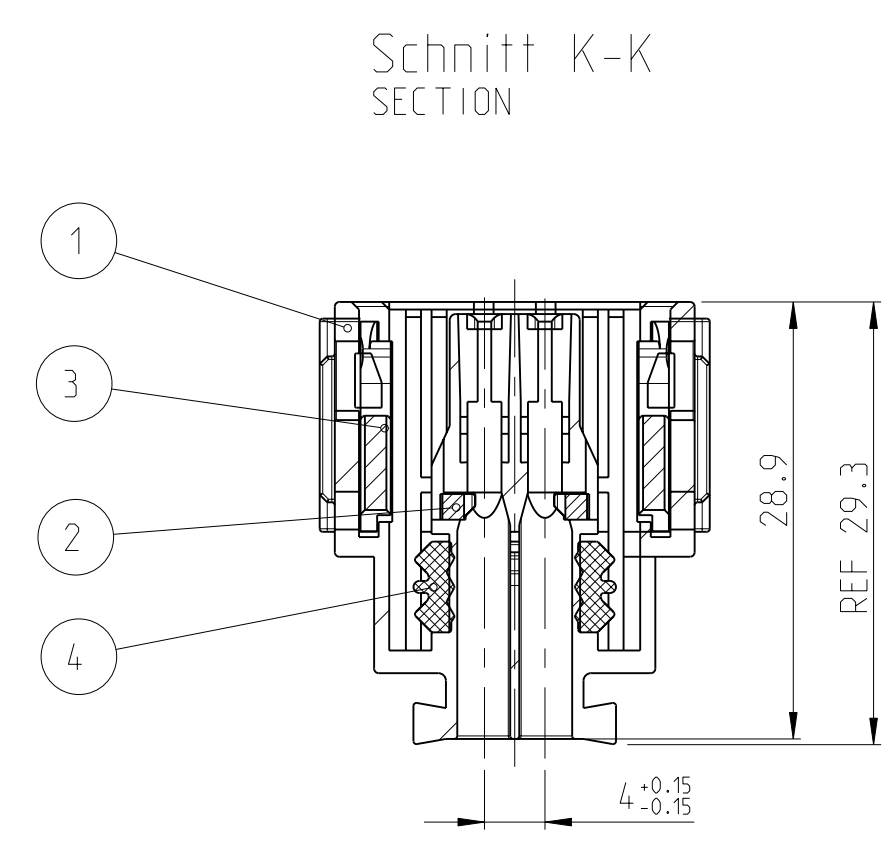
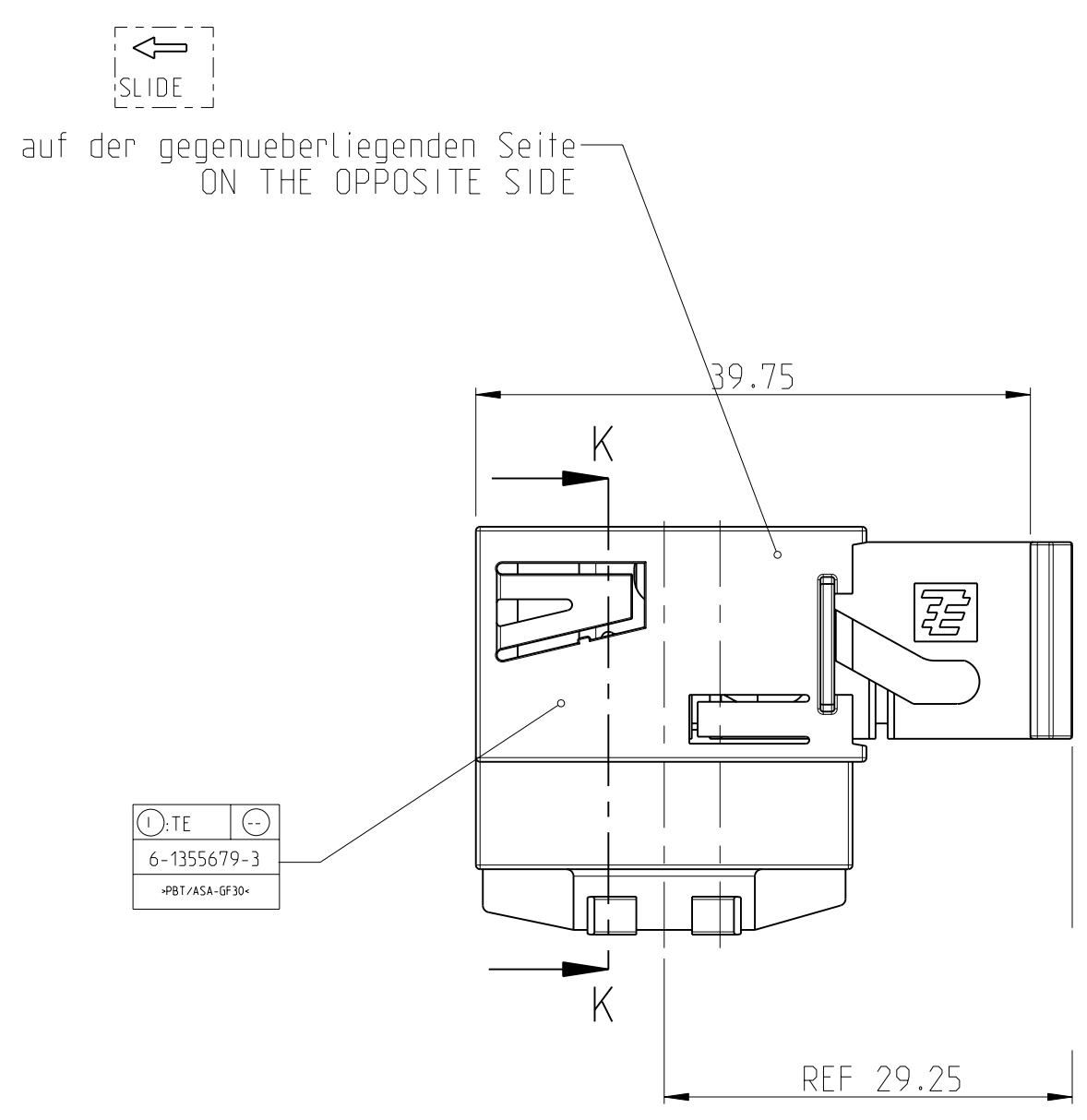
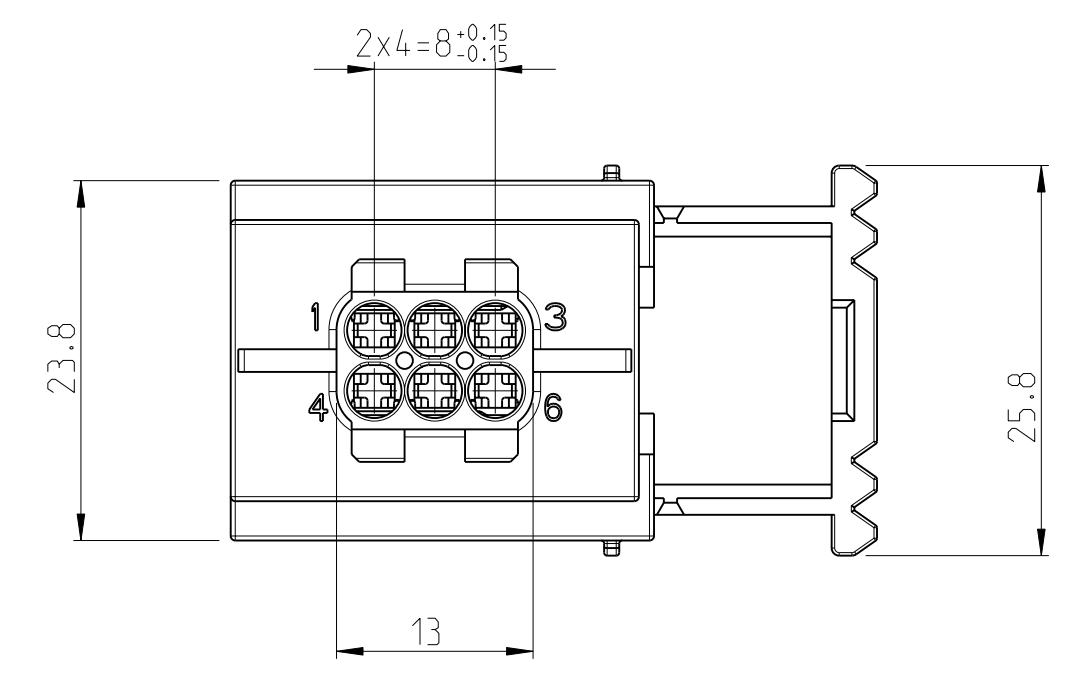


LOC	DIST	REV	DATE	BY	APPV
A1	-	B	30AUG2010	-	-



Kodierung F1 wie gezeichnet
 CODING F1 AS SHOWN
 schwarz / BLACK

- Bemerkungen
 NOTES
- 1 Anlieferungszustand Schieber offen
 DELIVERING SLIDE IN PRELOCKED OPEN POSITION
 - 2 Anschlußbauteil siehe Spezifikation 114-18339
 MATING PART SEE SPEC. 114-18339
 - 3 Anlieferungszustand zweite Kontaktsicherung offen
 SECONDARY LOCK IN OPEN POSITION FOR DELIVERY

ORDER-NO.	REV. ASSY.	PCS.	POS.	NAME SINGLE PART	MATERIAL	SURFACE COLOUR
6-1355683-3	B	1	4	SEALING FOR 6 POS. MT3 HSG.	SILICON	ORANGE
		1	3	SLIDE FOR 6 POS. MT3 HSG.	PBT-GF15	RED
		1	2	RETAINER FOR 6 POS. MT3 HSG.	PBT-GF15	GREY
		1	1	MT3-REC.-HOUSING, 6 POS.. COD F1	PBT/ASA-GF30	BLACK

DIMENSIONS: mm		TOLERANCES UNLESS OTHERWISE SPECIFIED:		DWN: F. Ullrich 30AUG2010 CHK: R. Hecker 07SEP2010 APVD: -	Tyco Electronics Tyco Electronics AMP GmbH 64625 Bensheim (Germany)
0 PLC ±0.3 1 PLC ±0.3 2 PLC ± 3 PLC ± 4 PLC ± ANGLES ±1°		FINISH: -		NAME: MT3-REC. HOUSING, 6 POS. PRODUCT SPEC: 108-18664 APPLICATION SPEC: 114-18308	SIZE: A1 CAGE CODE: 00779 DRAWING NO: C=1355683
MATERIAL: -		FINISH: -		WEIGHT: -	RESTRICTED TO: - CUSTOMER DRAW ING: - SCALE: 2:1 SHEET 1 OF 1 REV B

单击下面可查看定价，库存，交付和生命周期等信息

[>>TE Connectivity\(泰科\)](#)