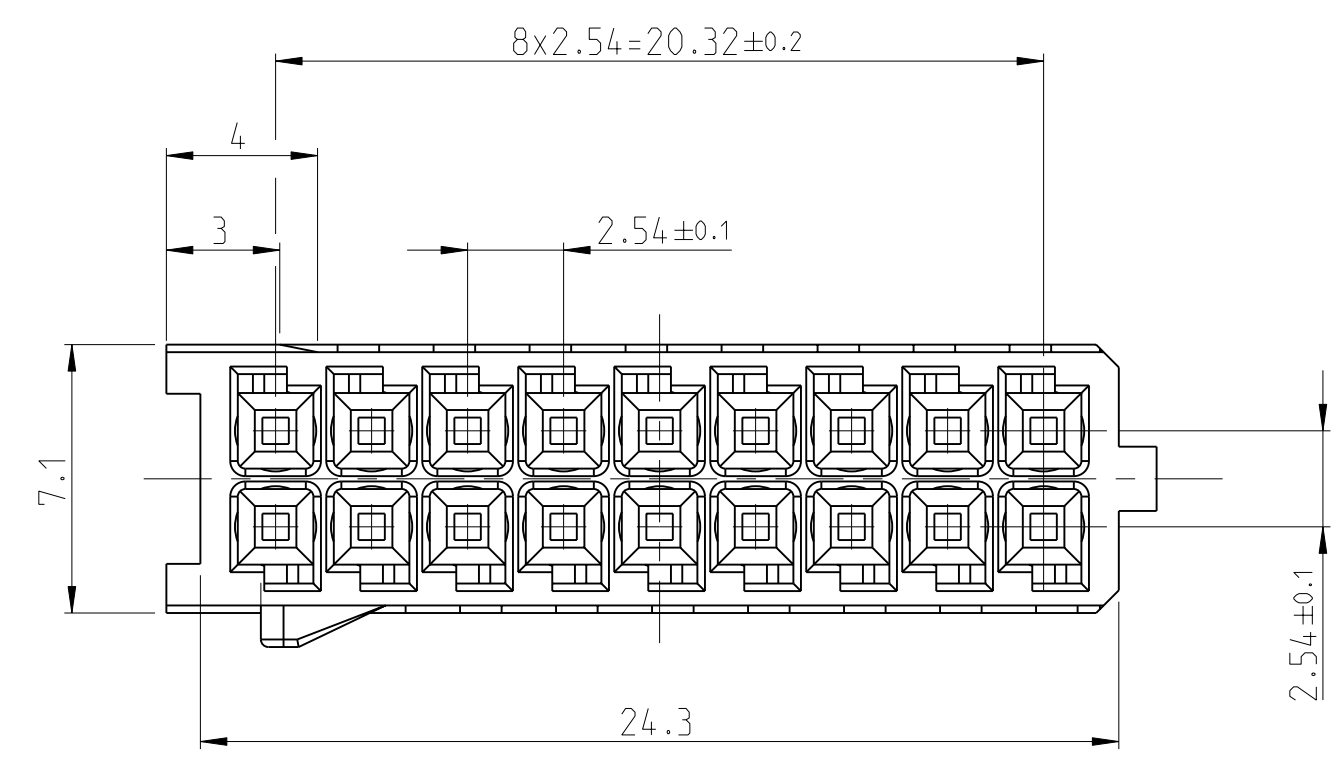
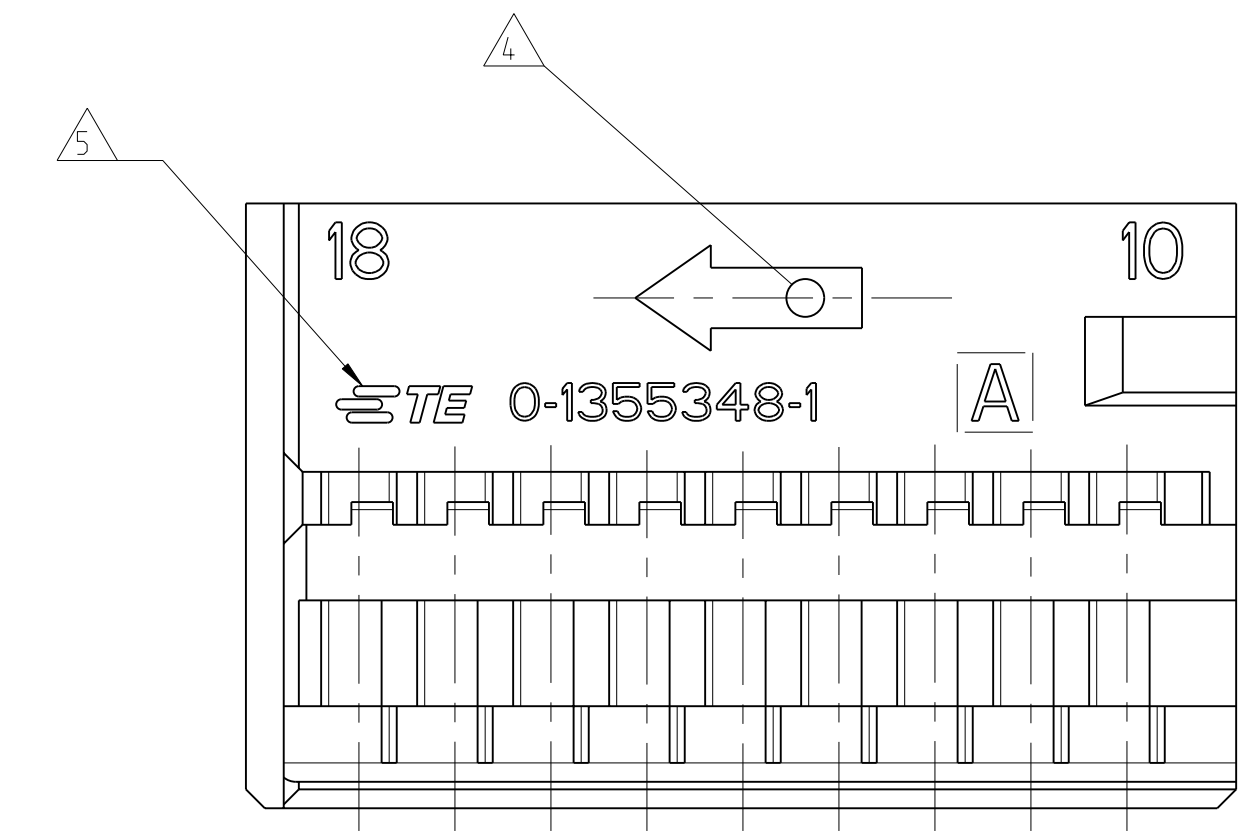
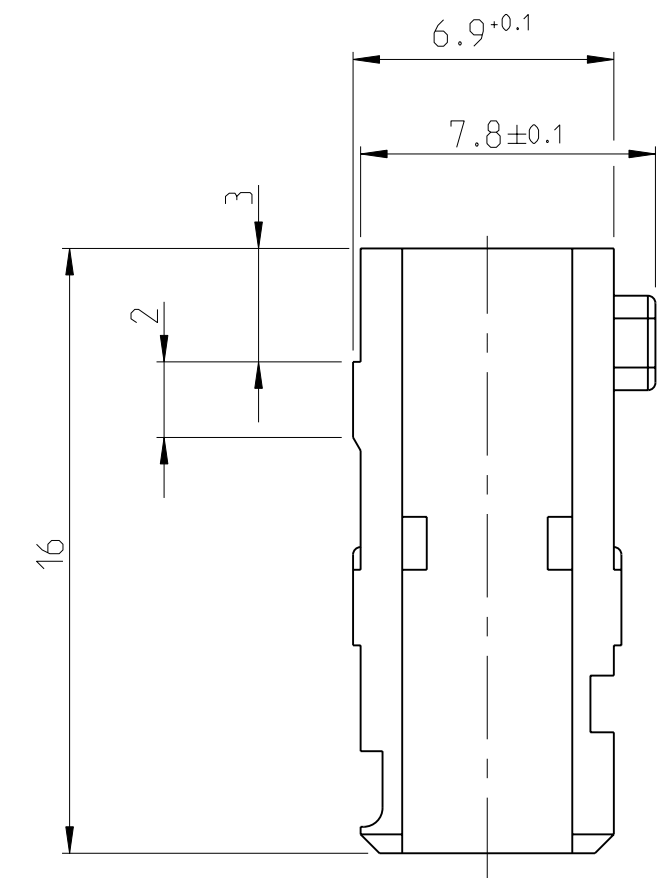
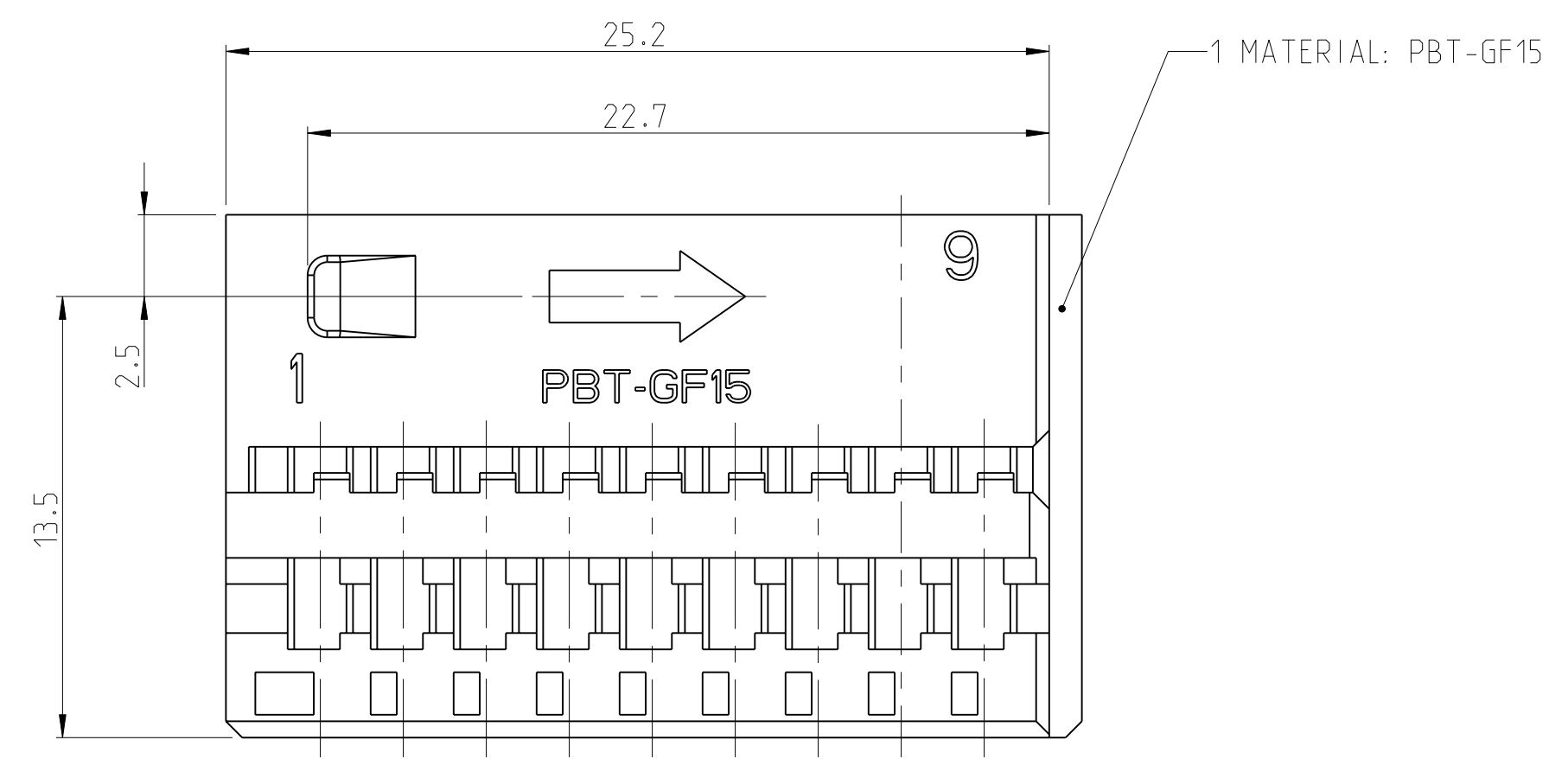


LOC	DIST	REV	DATE	DWN	APVD
FM	-	A2	21MAR2011	RK	HMR
		A3	11MAY2011	KWE	B.F.
		A4	19APR2012	VP	B.F.



NOTES
 Bemerkungen

- 1 ASSOCIATION SEE TABLE
 Zuordnung siehe Tabelle
- 2 Produktspezifikation: 108-18157-1
 PRODUCTSPECIFICATION:108-18157-1
- 3 WIRE SIZE RANGE 0.75 mm IN ALL CAVITIES POSSIBLE
 BUT ONLY IN 4 CAVITIES PERMITTED
 Drahtgrossenbereich 0.75 mm in allen Kammern moeglich.
 jedoch nur in 4 Kammern zulaessig

- 4 CAVITY MARKING
 Nestmarkierung
- 5 TE-LOGO
 TE-Logo

	Tool 1 Werkzeug 1	Tool 2 Werkzeug 2
TE LOGO TE Logo	AMP	TE
Tool Number Werkzeugnummer		
Tool Cavity 1 Formnest 1	1	2.1
Tool Cavity 2 Formnest 2	2	2.2
Tool Cavity 3 Formnest 3	3	2.3
Tool Cavity 4 Formnest 4	4	2.4

0-1355348-1	A	/	1	1	SOCKET, HOUSING Buchsengehaeuse	BLACK schwarz	1.7	4-1355350-1 3-1355350-1 2-1355350-1 1-1355350-1	NOT YET TOOLED
TE BESTELL-NR. ORDER NO.	REV. KOD.	COD. KOD.	POS.	QTY. STK.	DESCRIPTION BENENNUNG	OBERFLAECHE SURFACE FARBE/COLOUR	GRAMM GEWICHT WEIGHT	SUITABLE FOR/PASSEND ZU: SHIELD/Abdeckkappe TE CONNECTIVITY	

CUSTOMER PART NO	PART NO	REV	PCS	MATERIAL	SURFACE COLOUR	DESCRIPTION

THIS DRAWING IS A CONTROLLED DOCUMENT.
 DIMENSIONING AND TOLERANCING PER GPS (ISO STANDARDS)

DWN: D.Ebank 31JAN2000
 CBY: B.Eieberling 31JAN2000
 APVD: -

NAME: MICRO QUADLOK SYSTEM, SOCKET HOUSING, 18POS.
 Micro Quadlok System, Buchsengehaeuse, 18POS.

SIZE: A1
 CAGE CODE: 100779
 DRAWING NO: 0-1355348

RESTRICTED TO: NR FLER

CUSTOMER DRAWING /KUNDENZEICHNUNG SCALE MASSSTAB 5:1 SHEET 1 OF 1 REV. A4

单击下面可查看定价，库存，交付和生命周期等信息

[>>TE Connectivity\(泰科\)](#)