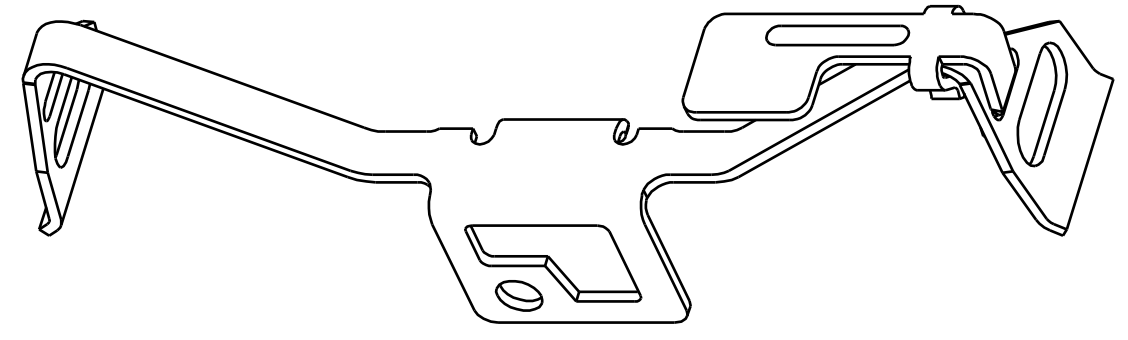
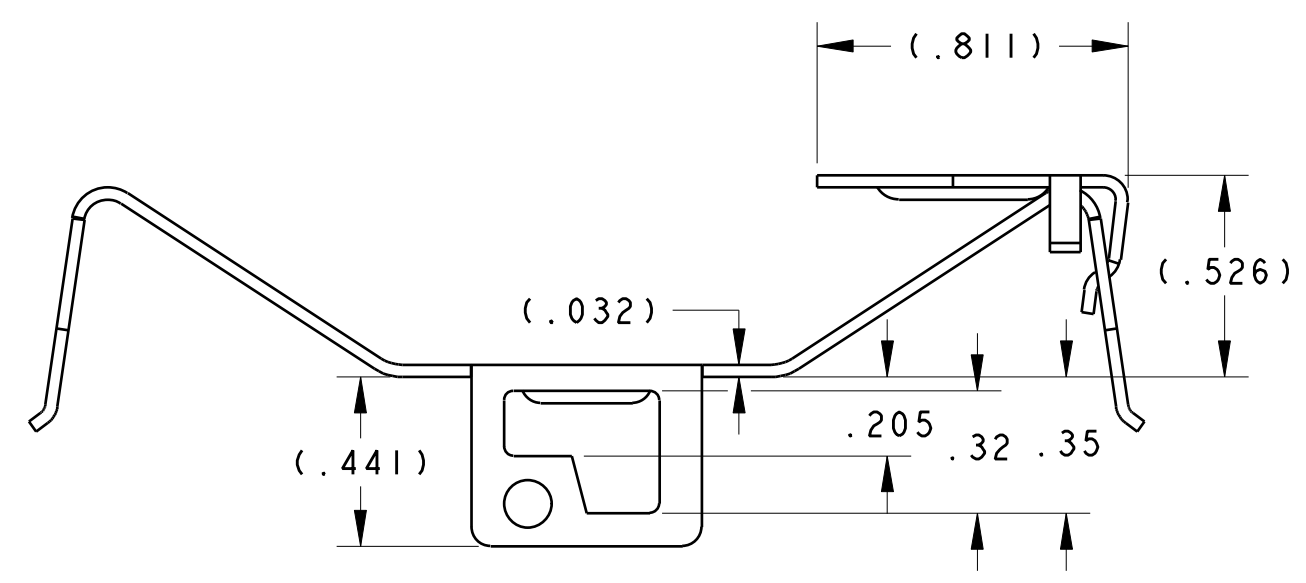


NOTES:

UNLESS OTHERWISE SPECIFIED

1. INTERPRET DRAWING PER ASME Y14.5M-1994.
2. THIS PART IS RoHS COMPLIANT



CUSTOMER DRAWING
SPECIFICATIONS ARE SUBJECT TO CHANGE WITHOUT NOTICE

REVISION INFO	REV.
RELEASED	A
ERN: 110940	
ETAO 8-26-05	
APP'D: S.D. 8-29-05	

DO NOT SCALE	tyco / Electronics		North Attleboro, Massachusetts 02760	
	UNLESS OTHERWISE SPECIFIED TOLERANCES ARE:	DRAWN BY:	DATE:	MATERIAL:
	.XX ± .02	E.TAO	8-26-05	STEEL
	.XXX ± .010	ENGINEER:	DATE:	FINISH:
.XXXX ± .	S.DELPRETE	8-29-05	ZINC	
ANGLES ± 2°	FILENAME	PROJECT	SYSTEM	
	C-2-1542011-8		PRO-E	

CONFIDENTIAL PROPERTY OF TYCO ELECTRONICS. NOT TO BE DISCLOSED TO OTHERS, REPRODUCED OR USED FOR ANY PURPOSES EXCEPT AS AUTHORIZED IN WRITING BY AN AUTHORIZED OFFICIAL OF TYCO. MUST BE RETURNED TO TYCO ON DEMAND, ON COMPLETION OF ORDERS OR OTHER PURPOSES FOR WHICH LENT.

DIMENSIONS ARE IN: INCHES
SCALE: 2:1
SIZE B
THIRD ANGLE PROJECTION

TITLE: XEON FLIP CHIP SPRING CLIP WITH Q.R.	
TYCO PART NO.:	SHEET
2-1542011-8	1 of 1
DWG. NO.:	REV.
C-2-1542011-8	A

单击下面可查看定价，库存，交付和生命周期等信息

[>>TE Connectivity\(泰科\)](#)