

4

3

2

1

THIS DRAWING IS UNPUBLISHED.

RELEASED FOR PUBLICATION

© COPYRIGHT

BY TYCO ELECTRONICS CORPORATION, ALL RIGHTS RESERVED.

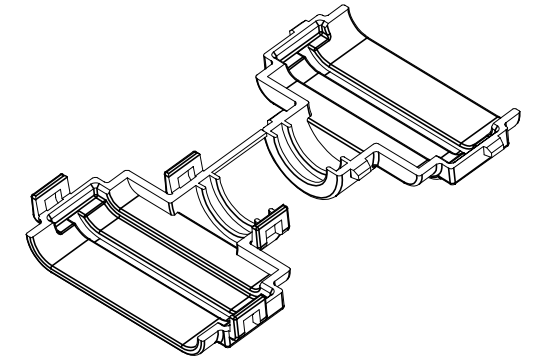
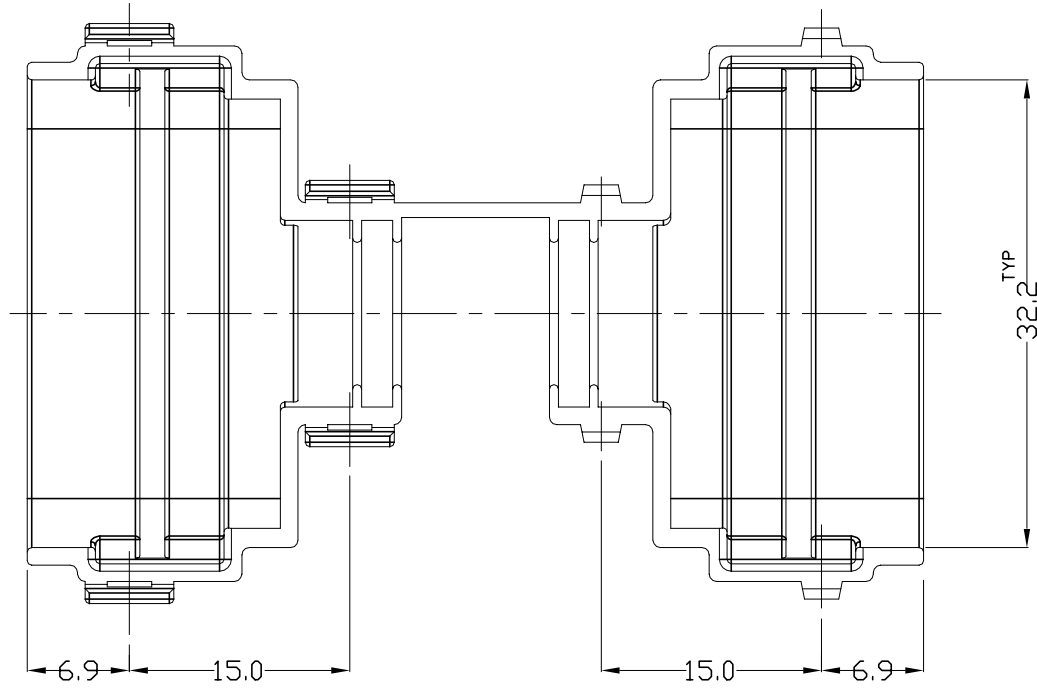
LOC

DIST

REVISIONS

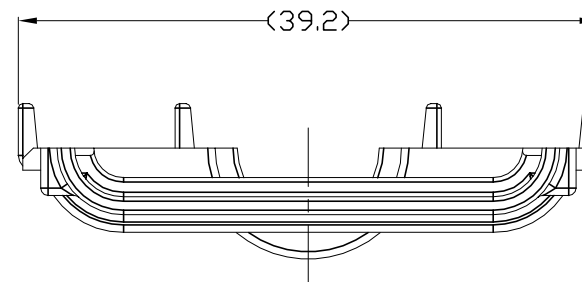
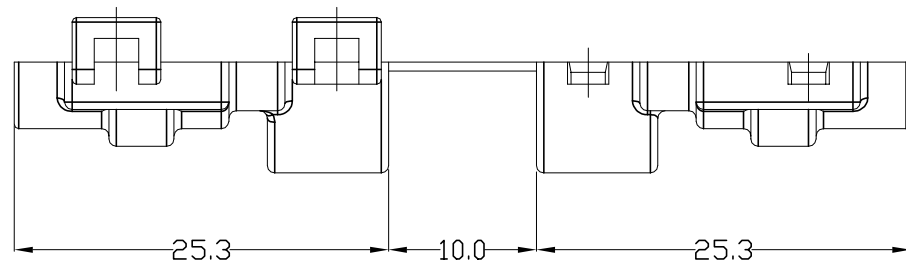
P	LTR	DESCRIPTION	DATE	DWN	APVD
	A	REVISED (ECR-20-014410)	01.DEC.'20	CI	YJ
	B	REVISED (ECR-21-103298)	24.MAY.'21	JU	JJ

D



3-D VIEW
(SCALE 1/1)

C



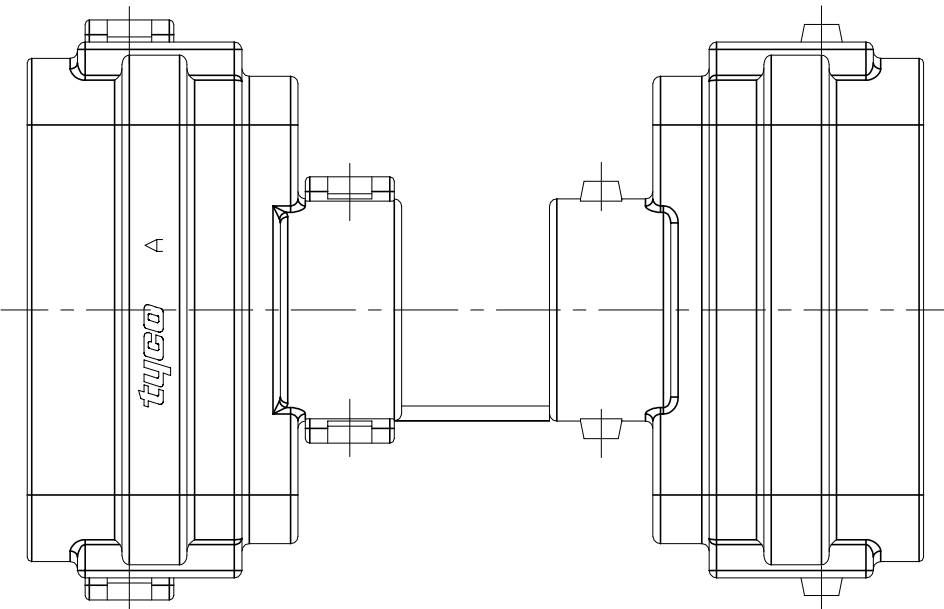
NOTE ;

- GENERAL TOLERANCES : ± 0.3 , $\pm 3^\circ$.
- 0.15 MAX. WARPAGE AND 0.2 MAX. FLASH ARE PERMISSIBLE
- APPLICABLE CORRUGATE TUBE : $\phi 9.0\text{mm}$.
- APPLICABLE CONN'R PART NO. : 936394
- APPLICABLE TEST SPEC : MS210-06-A2 (EXCEPT 4.4)

B

PA 66 703561-1	936398-2	BLACK
MATERIAL	PART NUMBER	COLOR

A



THIS DRAWING IS A CONTROLLED DOCUMENT FOR TYCO ELECTRONICS CORPORATION IT IS SUBJECT TO CHANGE AND THE CONTROLLING ENGINEERING ORGANIZATION SHOULD BE CONTACTED FOR THE LATEST REVISION.		DWN SJ CHOI		TE Connectivity	
DIMENSIONS: MM		CHK JW JUNG			
TOLERANCES UNLESS OTHERWISE SPECIFIED:		APVD HG CHO		NAME	
0 PLC \pm		PRODUCT SPEC		COVER HSG FOR 2.8mm SEALED 6P PLUG CONN'R	
1 PLC \pm		APPLICATION SPEC		SIZE	
2 PLC \pm		WEIGHT		CAGE CODE	
3 PLC \pm		A3 00779		DRAWING NO	
4 PLC \pm		C- 936398		RESTRICTED TO	
ANGLES \pm		SCALE 2/1		SHEET 1 OF 1	
FINISH		REV B			
MATERIAL					
SEE TABLE					

单击下面可查看定价，库存，交付和生命周期等信息

[>>TE Connectivity\(泰科\)](#)