

4

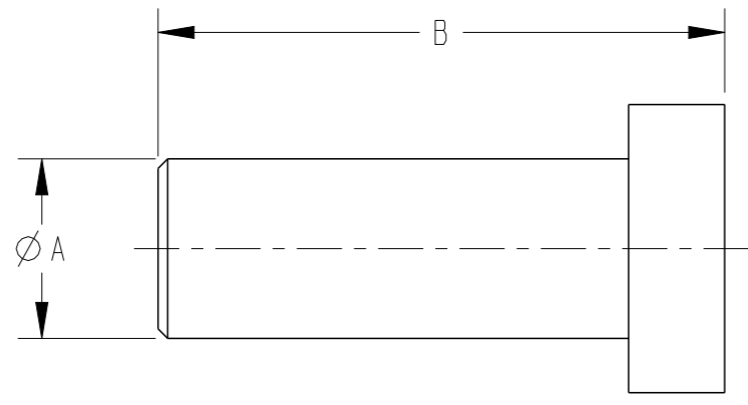
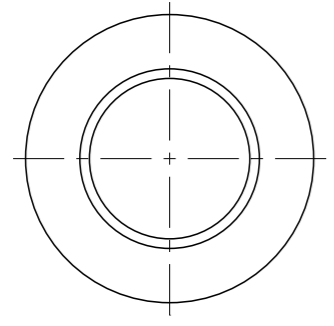
3

2

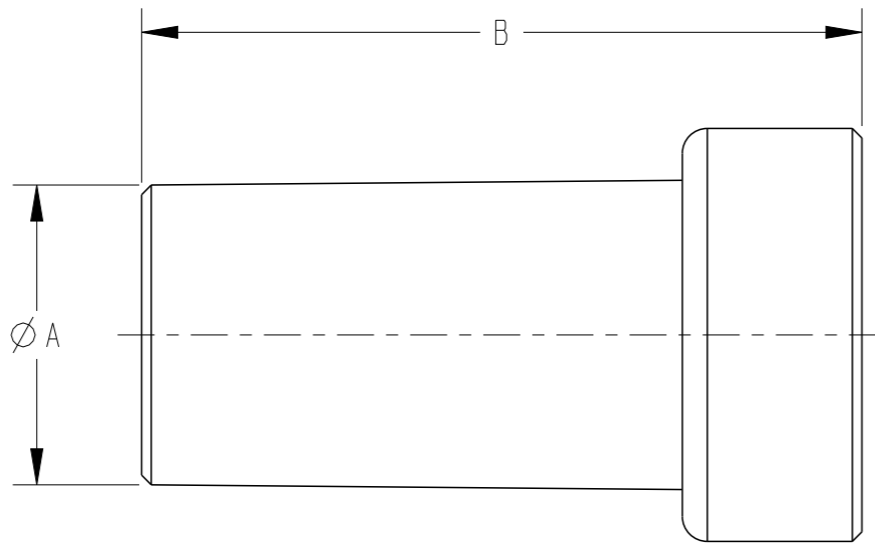
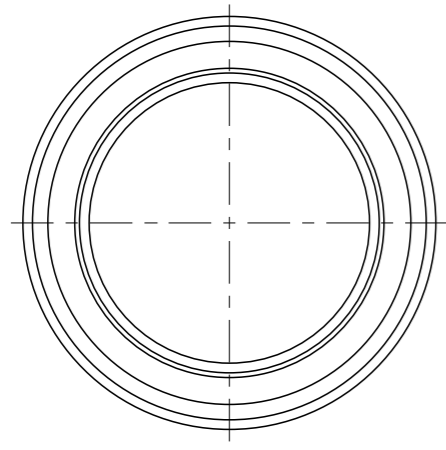
1

THIS DRAWING IS UNPUBLISHED. RELEASED FOR PUBLICATION 20  
 © COPYRIGHT 20 BY - ALL RIGHTS RESERVED.

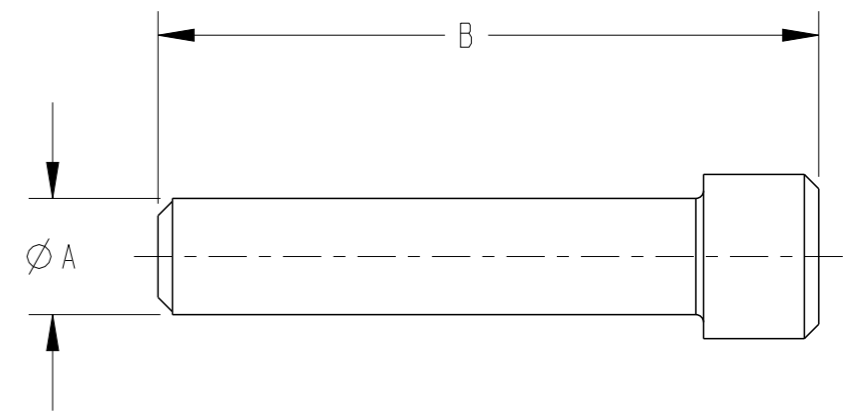
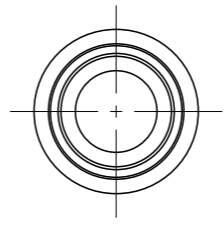
LOC	DIST	REVISIONS			
P	LTR	DESCRIPTION	DATE	DWN	APVD
	C	REVISED PER E.O. A4622	02MAY1986		JA
	D	REVISED/REDRAWN PER E.O. P18810	14JAN2005		RDR
	E	REVISED PER E.O. P19890	16JUN2008	RM	RDR
	F	REVISED PER PCN :E-18-004623	27MAR2018	DD	DM



**SIZE 8**



**SIZE 4**



**SIZE 12 & 16**

CONTACT SIZE	TE INTERNAL PN	DEUTSCH PN	COLOR	A ±.010 [±.25]	B ±.030 [±.76]
12 & 16	114017-ZZ	114017	WHITE	.121 [3.07]	.688 [17.48]
8	114018-ZZ	114018	WHITE	.187 [4.75]	.590 [14.99]
4	114019-ZZ	114019	RED-ORANGE	.312 [7.92]	.750 [19.05]

1 MATERIAL: SIZES 16, 12, & 8 - PBT GF30  
 SIZE 4 - VMQ

NOTES: UNLESS OTHERWISE SPECIFIED

THIS DRAWING IS A CONTROLLED DOCUMENT.

DWN R. MESSENGER 12JAN2005  
 CHK I. GRANTCHAROVA 13JUN2008  
 APVD S. BEARD 04JUN2008

**STE** TE Connectivity

NAME: PLUG, SEALING INDUSTRIAL CONNECTOR SIZES 16, 12, 8, AND 4

SIZE	CAGE CODE	DRAWING NO	RESTRICTED TO
A3	4AFU8	©=114017/114019	-

CUSTOMER DRAWING SCALE 5:1 SHEET 1 OF 1 REV F

单击下面可查看定价，库存，交付和生命周期等信息

[>>TE Connectivity\(泰科\)](#)