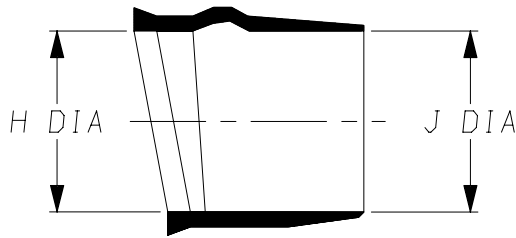
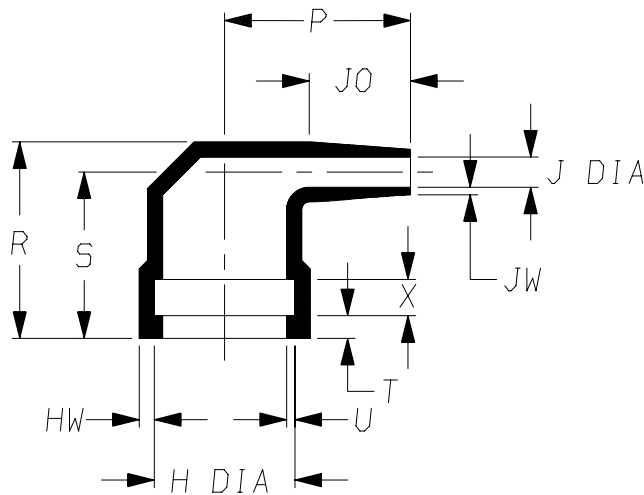


a) Part as supplied.

224W221



b) Part after unrestricted recovery.



DIMENSIONS in millimetres  
(in inches, for reference)

Part Number	H		J		P	R	S	T	U	X	JO	HW	JW
	Min	Max	Min	Max	±10%	±10%	±10%	±10%	±10%	±10%	±10%	±20%	±20%
	a	b	a	b	b	b	b	b	b	b	b	b	b
224W221	11 {0.43}	9.3 {0.37}	11 {0.43}	2.1 {0.08}	12.3 {0.48}	13 {0.51}	11 {0.43}	1.5 {0.06}	0.55 {0.02}	2.4 {0.09}	6.6 {0.26}	1.0 {0.04}	0.5 {0.02}

Copyright (!)

The copyright in this drawing is the property of Tyco Electronics UK Ltd. The drawing is issued on the condition that it is not copied, reproduced or disclosed to a third party, either in whole or in part without the prior written consent of Tyco Electronics UK Ltd.

Drawn A.LILLEY. Checked

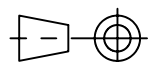
Issue 3 Date October 2007

Conforms to ISO Recommendations  
3rd Angle Projection  
Not to Scale

Approval  
Design

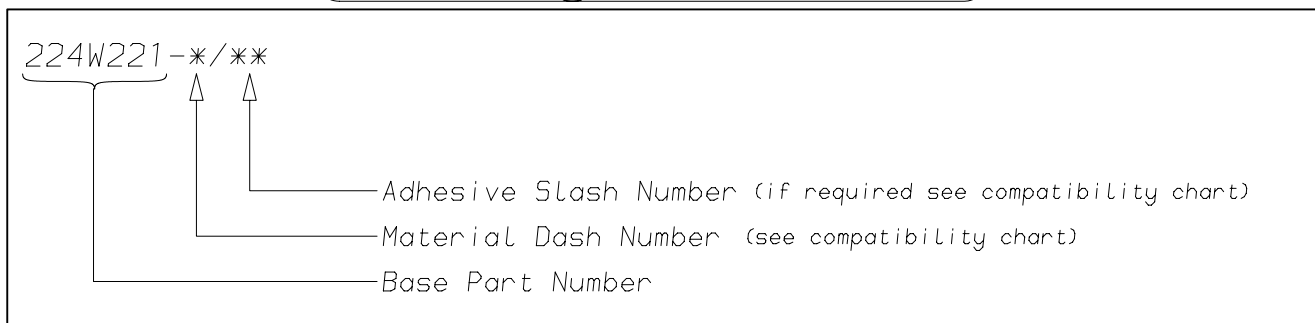
MKTG.

Tech.



<b>Raychem</b>		<b>Specification Control Drawing</b>	Part Number <b>224W221 Issue 3</b>
Iss.	Date	E.C.R. No.	Details of Change
2	October 2000	CR00-HM-0014	Ha was 9.8
3	October 2007	CR06-HM-012	Imperial dimensions added

### (Ordering Information)



### (COMPATIBILITY CHART)

Material Dash Number	Material Description	SPEC Number	Coating Slash Number
-3	POLYOLEFIN, SEMI-RIGID	RT-301	/42, /86, /180
-4	POLYOLEFIN, FLEXIBLE	RT-1304	/42, /86, /180
-25	ELASTOMER, FLUID RESISTANT	RW-2070	/42, /86, /225
-130	POLYOLEFIN, COMMERCIAL FLEXIBLE	RW-2008	/42

#### NOTES

- ① As supplied dimensions are for uncoated parts, when coating is added entry diameters will reduce by 1.5mm Max.

Tyco Electronics UK Ltd. Faraday Road, Swindon, Wiltshire, SN3 5HH England Telephone: (01793) 528171 Fax: 572516	Tyco Electronics Corporation 300, Constitution Drive, Menlo Park, CA 94025 USA Telephone (650) 361-3860 Fax: (650) 361-5579
Cage Code K1010	Cage Code 06090

单击下面可查看定价，库存，交付和生命周期等信息

[>>TE Connectivity\(泰科\)](#)