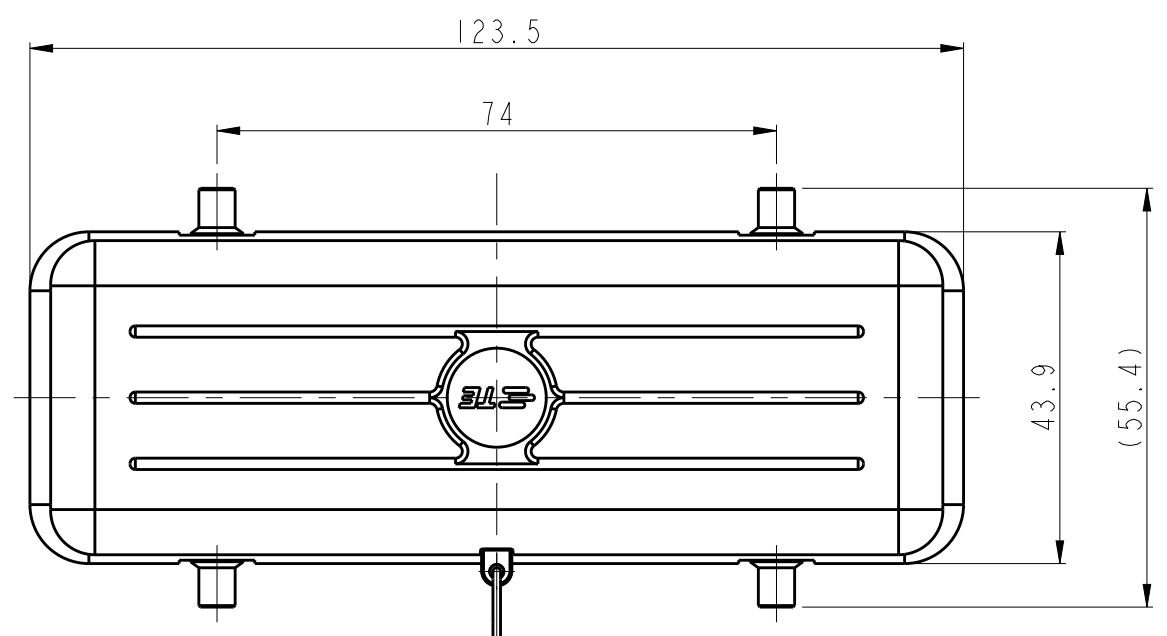
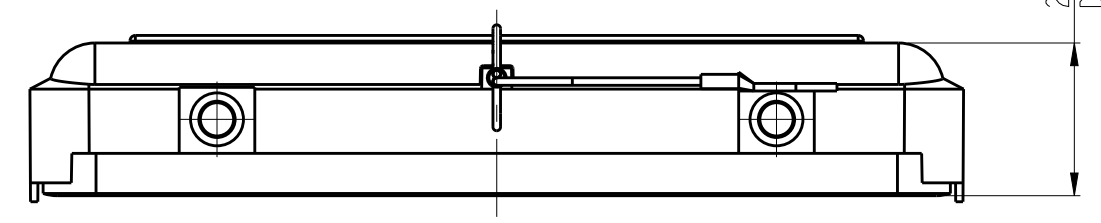


THIS DRAWING IS UNPUBLISHED. RELEASED FOR PUBLICATION 20
 © COPYRIGHT 20 BY - ALL RIGHTS RESERVED.

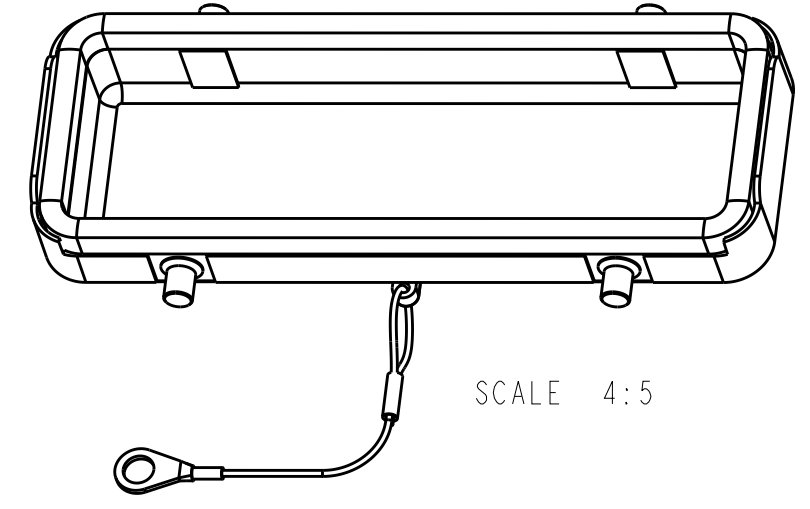
REVISIONS				
P	LTR	DESCRIPTION	DATE	APVD
A		INITIAL	08JUN2015	DW CW
AI		ECR-17-009135	23JUN2017	CH CW



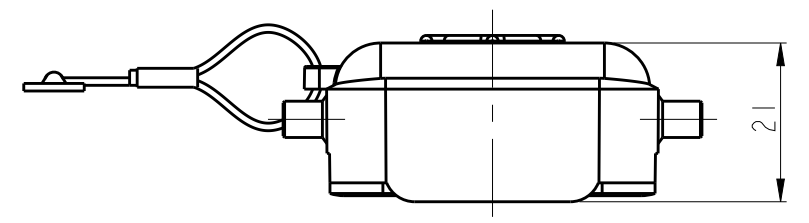
TRANSPARENT NYLON ROPE:
 TOTAL LENGTH 250mm,
 DIA. Ø1.0mm
 透明尼龙绳: 总长250mm, 直径Ø1.0mm



DIM. WITH SEALING, NO DIM. WITHOUT SEALING
 带密封标注尺寸, 不带密封标注尺寸

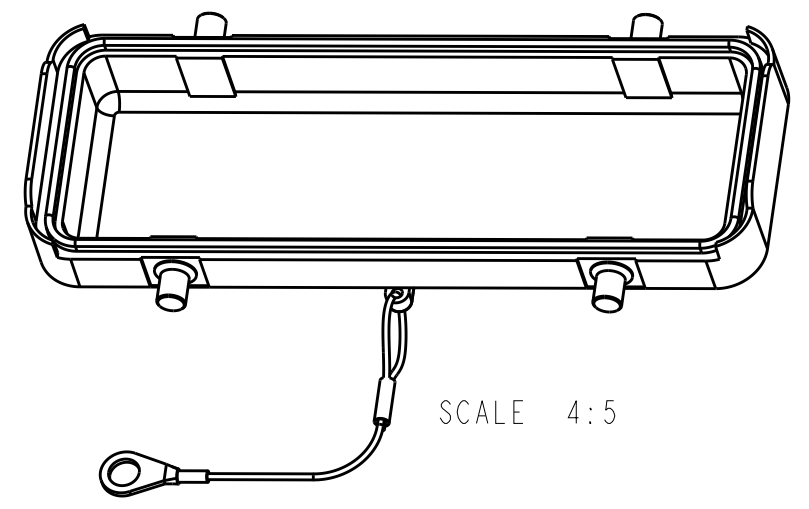
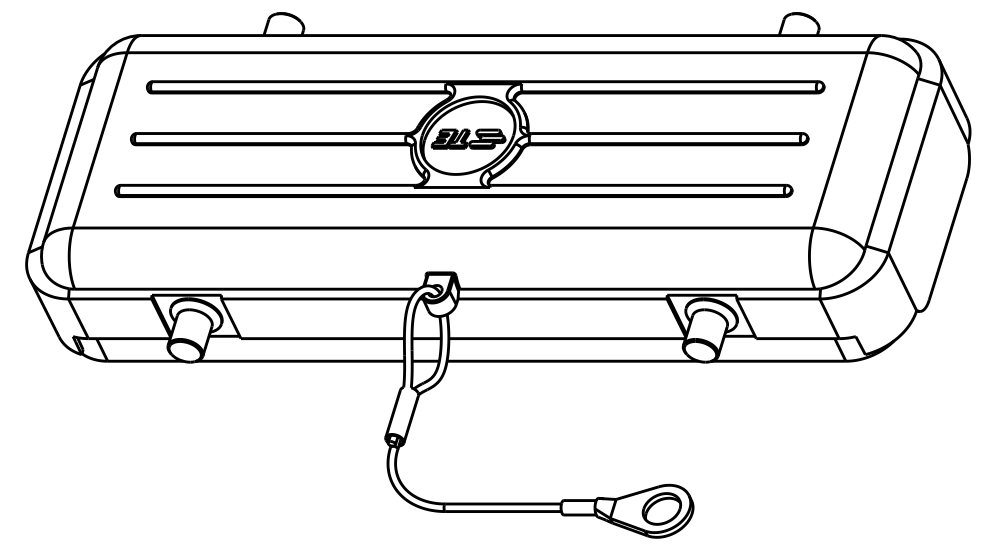


TYPE 2: THIS TYPE IS SAME AS TYPE 1, ONLY ADD SEALING.
 类型2: 此类型同类型1, 只是增加了密封。



NOTES:
 1. TECHNICAL CHARACTERISTICS:
 COVER MATERIAL: PC, GREY

注释:
 1. 技术参数:
 保护盖材质: PC, 灰色



TYPE I
 类型1

PART NUMBER	PART DESCRIPTION	TYPE
料号	描述	类型
T1010242200-000	H24B-KDBP-R H24B HOUSING PLASTIC PROTECTION COVER, 4 EAR, SEALING, NYLON ROPE, GREY H24B下壳塑料保护盖, 4耳, 带密封, 尼龙绳, 灰色	TYPE 2 类型2
T1010242100-000	H24B-KDBP H24B HOUSING PLASTIC PROTECTION COVER, 4 EAR, WITHOUT SEALING, NYLON ROPE, GREY H24B下壳塑料保护盖, 4耳, 不带密封, 尼龙绳, 灰色	TYPE 1 类型1

THIS DRAWING IS A CONTROLLED DOCUMENT.

DWN DAVID.WANG 08JUN2015	TE Connectivity					
CHK CHRIS.WANG 08JUN2015						
APVD XIANG.XU 08JUN2015						
NAME H24B-KDBP / H24B-KDBP-R						
DIMENSIONS: mm	TOLERANCES UNLESS OTHERWISE SPECIFIED:	PRODUCT SPEC	SIZE A2	CAGE CODE	DRAWING NO. C-T1010242100000	RESTRICTED TO
0 PLC ±	1 PLC ±	APVD	SCALE 1:1	SHEET	OF	REV AI
2 PLC ±	2 PLC ±	APPLICATION SPEC	CUSTOMER DRAWING			
3 PLC ±	3 PLC ±	WEIGHT				
4 PLC ±	4 PLC ±	FINISH				
ANGLES ±						

单击下面可查看定价，库存，交付和生命周期等信息

[>>TE Connectivity\(泰科\)](#)