

THIS DRAWING IS UNPUBLISHED. RELEASED FOR PUBLICATION 20
© COPYRIGHT 20 BY - ALL RIGHTS RESERVED.

REVISIONS

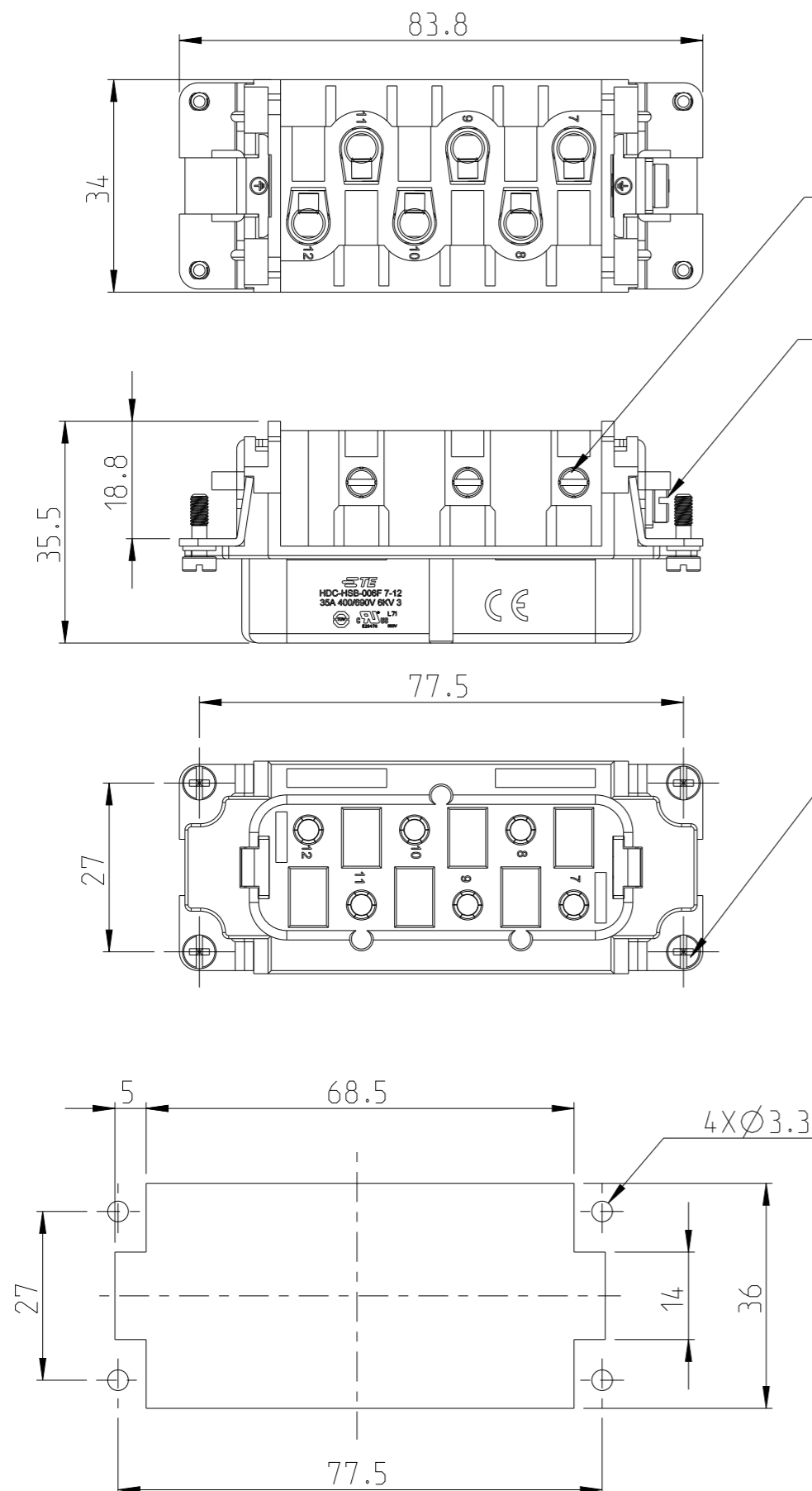
P	LTR	DESCRIPTION	DATE	DWN	APVD
A		INITIAL	10MAR2015	GY	CW
B		ECR-15-017607	03DEC2015	GY	CW
C		ECR-21-117384	08NOV2021	WQR	CW

NOTES:

1. TECHNICAL CHARACTERISTICS:
 INSULATION MATERIAL: PC(Gray)
 RATED VOLTAGE: CONDUCTOR-GROUND: 400V
 CONDUCTOR-CONDUCTOR: 690V
 RATED CURRENT: 35A
 INSULATION RESISTANCE: >=400MΩ
 RATED IMPULSE VOLTAGE: 6KV
 POLLUTION DEGREE: 3
 CONTACT RESISTANCE: <=5mΩ
 FLAMMABILITY: UL94V-0
 MATING CYCLES: 500
 OPERATION TEMPERATURE: -40°C~+125°C
 WIRE RANGE: 1.5mm²~6.0mm² (AWG16-AWG10)
 CONTACT FINISH: SILVER PLATED
 CONTACT TYPE: SCREW CLAMP (M4)

注释:

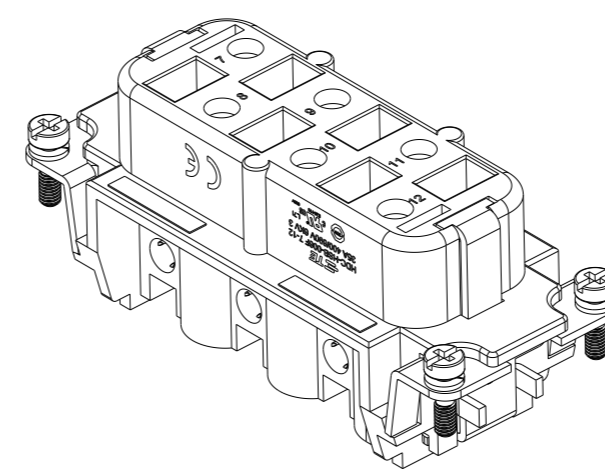
1. 技术参数:
 绝缘材料: PC(Gray)
 额定电压: 导体-地: 400V
 导体-导体: 690V
 额定电流: 35A
 绝缘电阻: >=400MΩ
 脉冲电压: 6KV
 污染等级: 3
 接触电阻: <=5 mΩ
 阻燃等级: UL94V-0
 插拔次数: 500
 工作温度: -40°C~+125°C
 接线范围: 1.5mm²~6.0mm² (AWG16-AWG10)
 端子表面处理: 镀银
 接线类型: 螺丝压接 (M4)



6 X M4 thread, recommended tightening torque 1.2Nm

M4 thread, recommended tightening torque 1.2Nm

4 X M3 thread, recommended tightening torque 0.5Nm



Panel cut out for inserts for using without hoods/housings

THIS DRAWING IS A CONTROLLED DOCUMENT.

DIMENSIONS:	TOLERANCES UNLESS OTHERWISE SPECIFIED:
mm	
	0 PLC ±
	1 PLC ±
	2 PLC ±
	3 PLC ±
	4 PLC ±
	ANGLES ±
MATERIAL	FINISH
-	-
-	-

DWN	Gino.Yao	10Mar2015
CHK	Chris.Wang	10Mar2015
APVD	Xiang.Xu	10Mar2015
PRODUCT SPEC	108-137052	
APPLICATION SPEC	114-137052	
WEIGHT	-	
Customer Drawing		

DESCRIPTION		PART NUMBER	
HSB-006-F 7-12		T2060122201-000	
STE TE Connectivity			
NAME HSB-006-F 7-12			
SIZE	CAGE CODE	DRAWING NO	RESTRICTED TO
A3	-	©T2060122201000	-
SCALE 1:1		SHEET 1 OF 1	REV C

单击下面可查看定价，库存，交付和生命周期等信息

[>>TE Connectivity\(泰科\)](#)