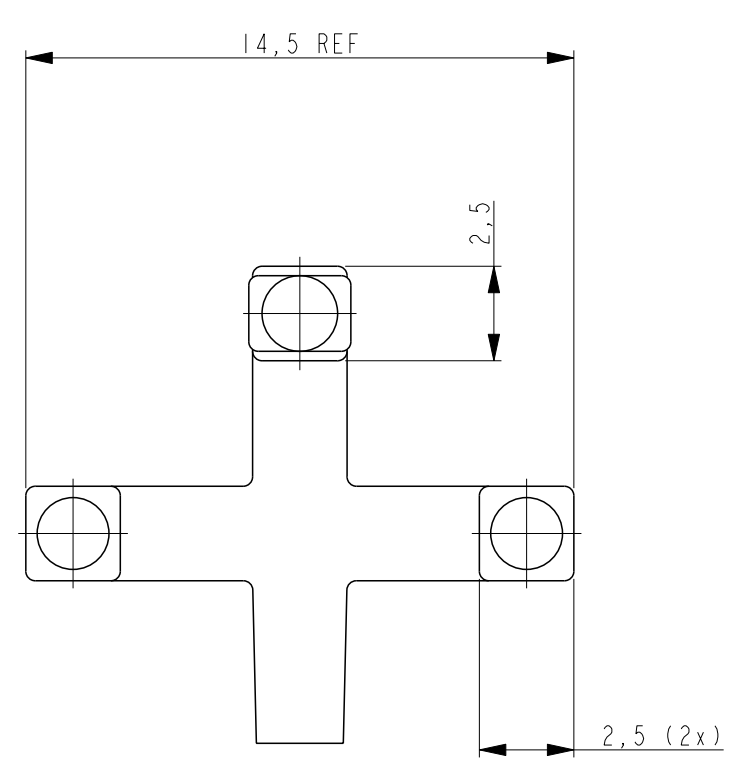
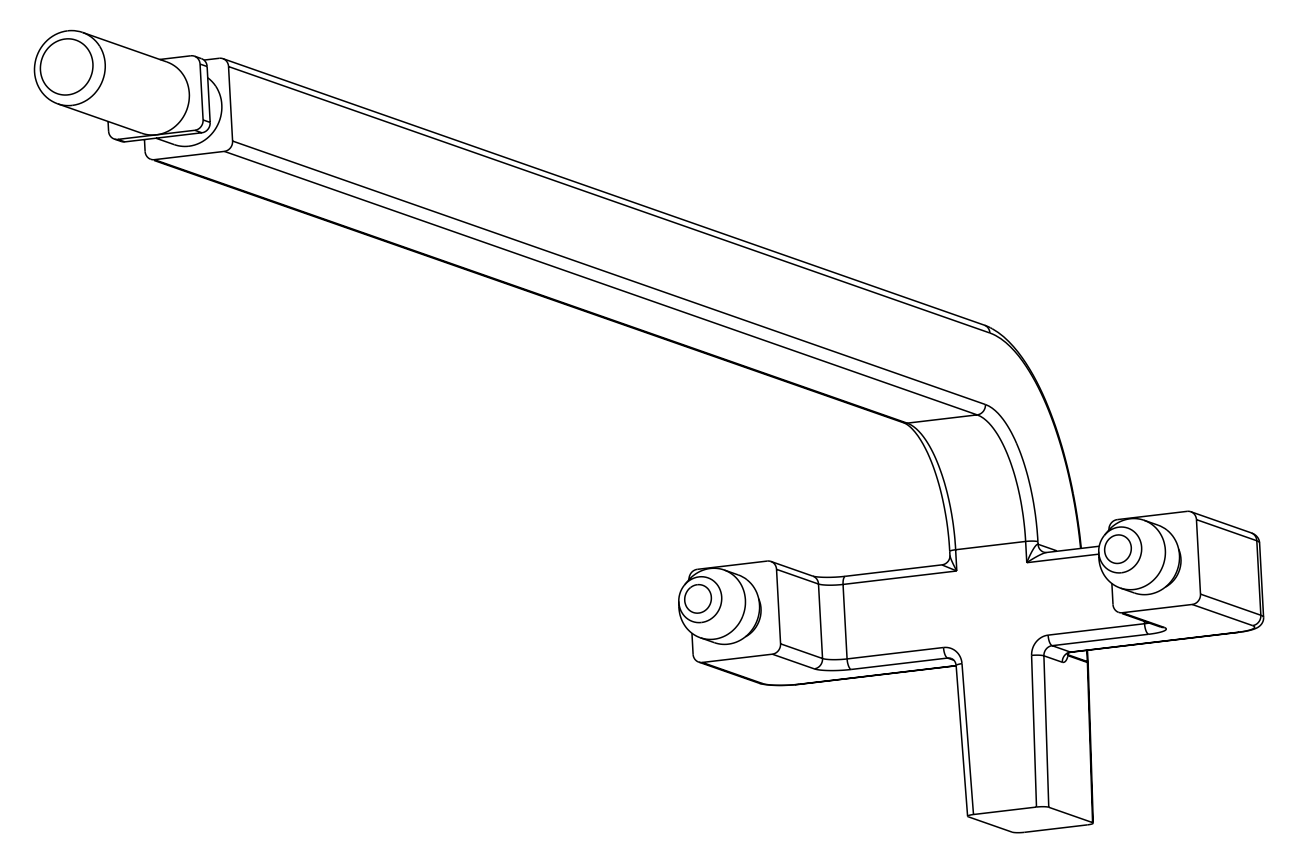


LOC	DIST	REVISIONS			
P	LTB	DESCRIPTION	DATE	DWN	APVD
H	-	I	INITIAL DRAWING	08MAR2012	JvdH TdB



NOTE:
 △ MATERIAL: POLYCARBONATE, CLEAR



**PRELIMINARY PART
 NOT RELEASED FOR PRODUCTION**
**THIS PRODUCT HAS NOT COMPLETED
 VALIDATION TESTING**

2173481-1
 PART
 NUMBER

THIS DRAWING IS A CONTROLLED DOCUMENT.		DWN J.V.D.HELJEDEN 07 MAR 2012	TE Connectivity	
DIMENSIONS: mm		CHK B.MOOIJ 07 MAR 2012	NAME LIGHTPIPE, SINGLE, BEHIND BEZEL, ZOSFP+	
TOLERANCES UNLESS OTHERWISE SPECIFIED:		APVD T.D.ROER 8 MAR 2012	PRODUCT SPEC	
0 PLC ±0.5 1 PLC ±0.25 2 PLC ±0.1 3 PLC ± 4 PLC ± ANGLES ± FINISH -		APPLICATION SPEC	RESTRICTED TO	
MATERIAL		114-32021	SIZE A1	CAGE CODE 00779
CUSTOMER DRAWING		WEIGHT	DRAWING NO C=2173481	SCALE 8:1
			SHEET 1	OF 1
			REV	

单击下面可查看定价，库存，交付和生命周期等信息

[>>TE Connectivity\(泰科\)](#)