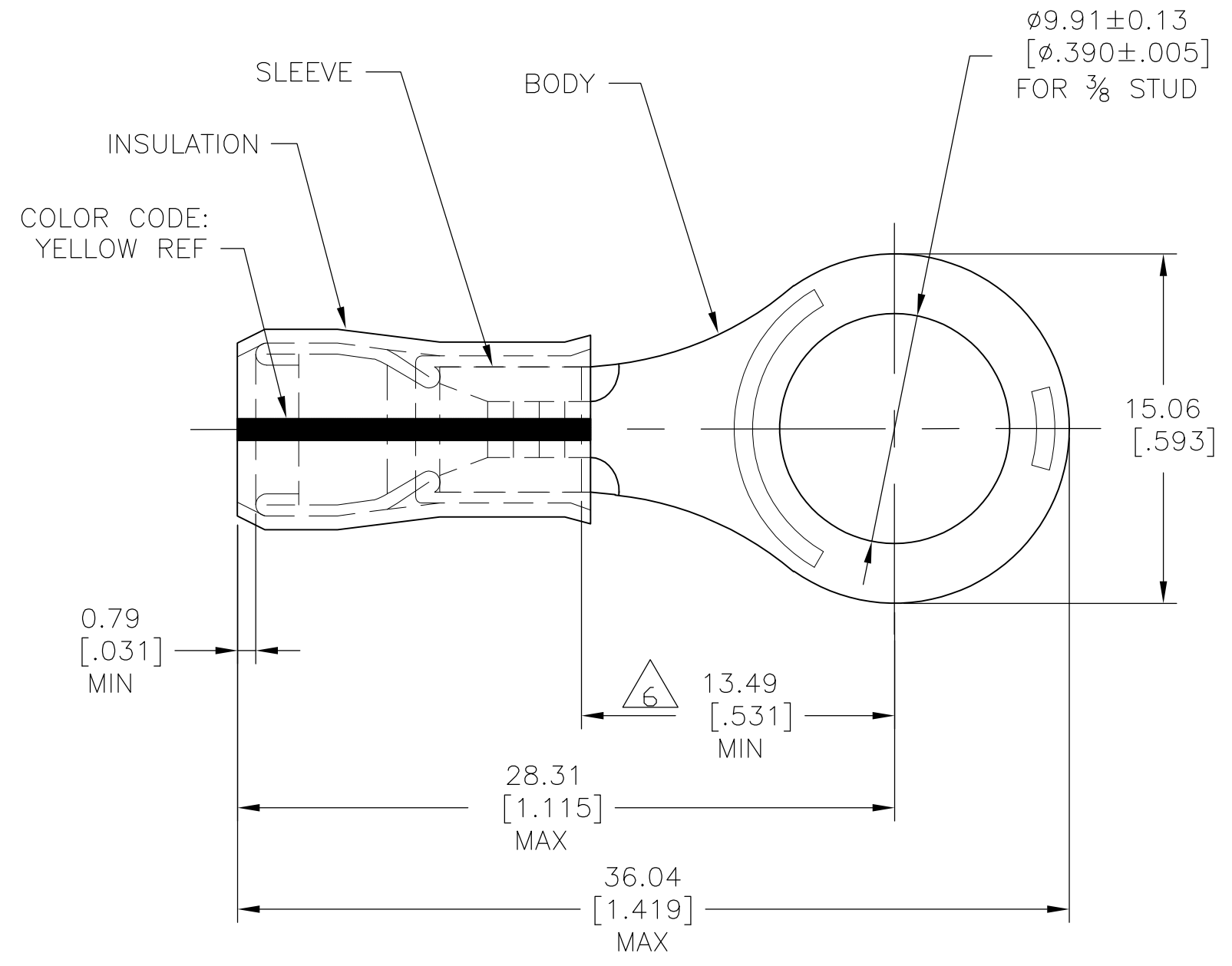


THIS DRAWING IS UNPUBLISHED. RELEASED FOR PUBLICATION
 © COPYRIGHT - By - ALL RIGHTS RESERVED.

| LOC | DIST | REVISIONS | | | | | |
|-----|------|-----------|-----|---------------------------|---------|-----|------|
| | | P | LTR | DESCRIPTION | DATE | DWN | APVD |
| G | 14 | | L3 | REVISED PER ECO-12-007718 | 08MAY12 | KH | DR |



- 1 STAMP AMP 12-10* APPROX AS SHOWN
- 2 WIRE INSULATION DIA: 3.81-5.84[.150-.230]
- 3 TONGUE MATERIAL THK: 0.99±0.05[.039±.002]
- 4 BODY & SLEEVE: TIN-LEAD (93-7) PLATE PER ASTM B545, (3% MIN LEAD CONTENT)
- 5 BODY & SLEEVE- CU PER ASTM B152 INSULATION - PVF2, COLOR - NATURAL
- 6 APPLIES FROM EDGE OF METAL WIRE BARREL TO CENTER OF STUD HOLE.
- 7 NOTE DELETED.

| | | | |
|--------------------------|-----|--------------|---------|
| M7928/4-114 CLASS 1 & 2 | 500 | LOOSE PIECE | 53428-1 |
| M7928/13-114 CLASS 1 & 2 | | | |
| MILITARY PART NO. | QTY | PACKAGE TYPE | PART NO |

AMP INCORPORATED
CUSTOMER SERVICE SYSTEMS

FOR ADDITIONAL PRODUCT INFORMATION OR COPIES OF DRAWINGS AND TECHNICAL DOCUMENTS
 PRODUCT INFORMATION CENTER
 1-800-522-6752

FOR APPLICATION TOOLING INFORMATION
 TOOLING ASSISTANCE CENTER
 1-800-722-1111

FOR ORDER ENTRY
 1-800-526-5142

MAX RECOMMENDED OPERATING TEMPERATURE:
 150°C [302°F] MAX

VOLTAGE RATING:
 -

CIRCULAR MIL AREA:
 2.62-6.64mm² [5,180-13,100] STRANDED

THIS DRAWING IS A CONTROLLED DOCUMENT.

DIMENSIONS: mm [INCHES]

TOLERANCES UNLESS OTHERWISE SPECIFIED:

| | |
|--------|--------------|
| 0 PLC | ± - |
| 1 PLC | ± - |
| 2 PLC | ± - |
| 3 PLC | ± 0.20[.008] |
| 4 PLC | ± - |
| ANGLES | ± - |

MATERIAL: - 5

FINISH: - 4

DWN: JR RUTH 21NOV06
 CHK: T MICHELUTTI 21NOV06
 APVD: T MICHELUTTI 21NOV06

STE TE Connectivity

NAME: TERMINAL, RING TONGUE, PVF2, P.I.D.G. WIRE SIZE: 12-10 AWG

SIZE: A3 CAGE CODE: 00779 DRAWING NO: C-53428 RESTRICTED TO: -

WEIGHT: -

CUSTOMER DRAWING SCALE: 4:1 SHEET: 1 OF 1 REV: L3

单击下面可查看定价，库存，交付和生命周期等信息

[>>TE Connectivity\(泰科\)](#)