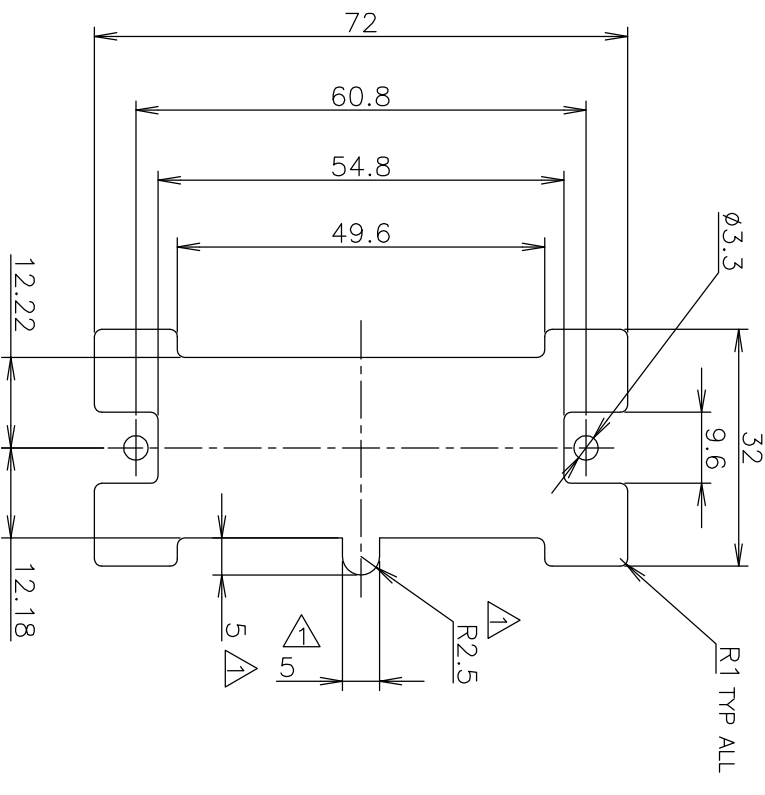
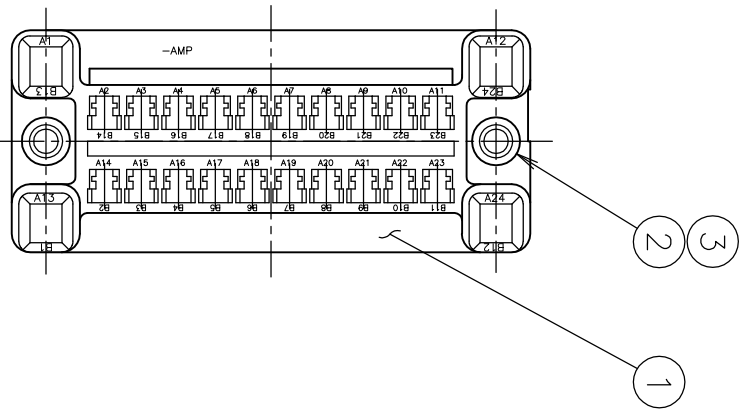
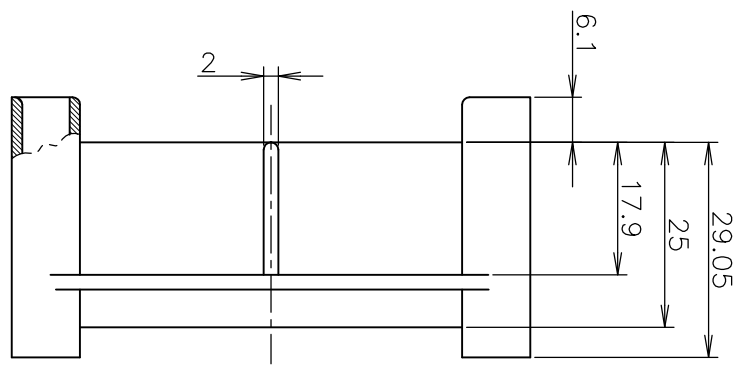
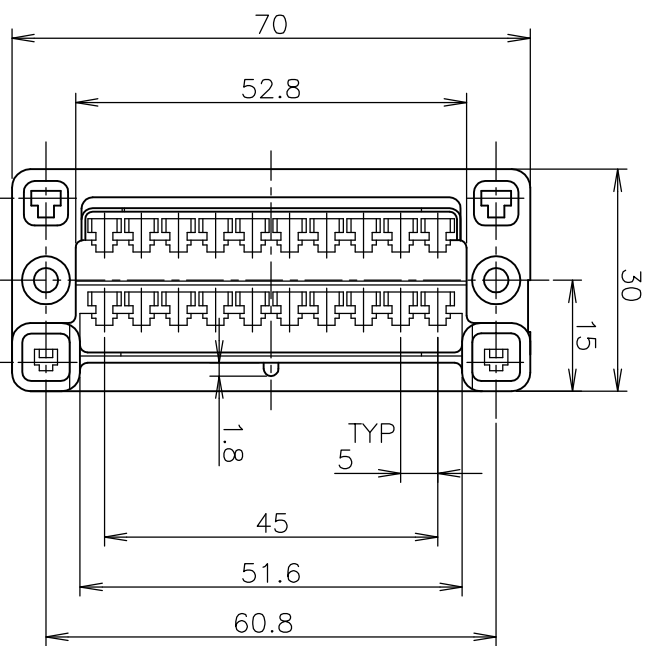
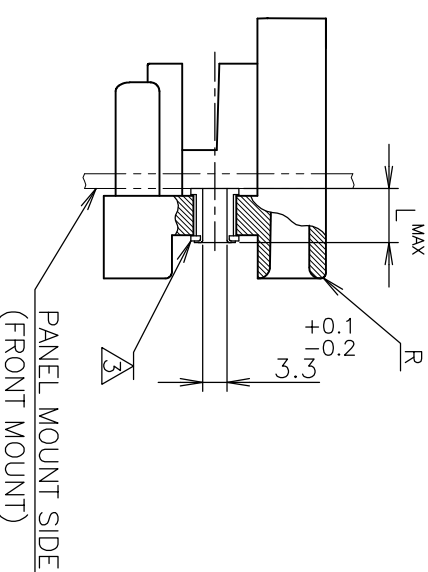


LOC	DIST	REVISIONS	DATE	DWN	APVD
J		DESCRIPTION			
P	LTR	REVERSED	18APR06	C.Z	S.Y
B		ECR-06-009116			



PANEL CUT DIMENSIONS  
(FRONT MOUNT)



PANEL MOUNT SIDE  
(FRONT MOUNT)

QTY	READ PER ASSY	DESCRIPTION	UNIT	MATERIAL (FINISH)	ITEM
2	-1	LONGITUDINAL LATERAL	0.3	BUSH 5.0 DIA	③
1	2	LONGITUDINAL LATERAL	0.05	BUSH 5.66 DIA	②
1	1	LONGITUDINAL LATERAL	0.14	HSG 24P HIGH CURRENT DRAWER	①
-2	-1	△ FLOATING ALLOWANCE		NAME	

PART LIST

**tyco** Tyco Electronics AMP K.K.  
 Kawasaki, Japan

DWN	C.ZHU	07SEP05	NAME	24 POSITION HIGH CURRENT DRAWER WITH BUSH
CHK	I.WANG	07SEP05	SIZE	A3
APVD	S.YAO	07SEP05	CAGE CODE	00779
PRODUCT SPEC			DRAWING NO	5176916
APPLICATION SPEC			SCALE	1:1
WEIGHT			SHEET	1 OF 1
			REV	B

DIMENSIONS:	mm	TOLERANCES UNLESS OTHERWISE SPECIFIED:
0 PLC	±0.2	
1 PLC	±0.25	
2 PLC	±0.3	
3 PLC	±0.3	
4 PLC	±0.3	
ANGLES	±3°	

GENERAL TOLERANCE  
 10 ≥ : ±0.2  
 30 ≥ > 10: ±0.25  
 100 ≥ > 30: ±0.3  
 ANGLES ±3°

- △ THIS DIMENSION USELESS IN CASE OF REAR MOUNTING.
- 2 CONTACT P/N DRAWER CONTACT (20EA)  
 AWG#24~#20 P/N: 170311-1, 170313-1  
 AWG#20~#16 P/N: 170484-1, 170485-1
- MIC CONTACT (4EA)  
 TAB CONTACT P/N: 170221-4, 170222-3 (Au Pl: 0.76u)  
 RECEPTACLE CONTACT P/N: 170286-4, 170289-3 (Au Pl: 0.76u)  
 P/N: 170286-2, 170289-2 (Au Pl: 0.76u)
- △ FLOATING ALLOWANCE TO CONTACT AXIS IS LONGITUDINAL DIRECTION AND LATERAL DIRECTION.

单击下面可查看定价，库存，交付和生命周期等信息

[>>TE Connectivity\(泰科\)](#)