

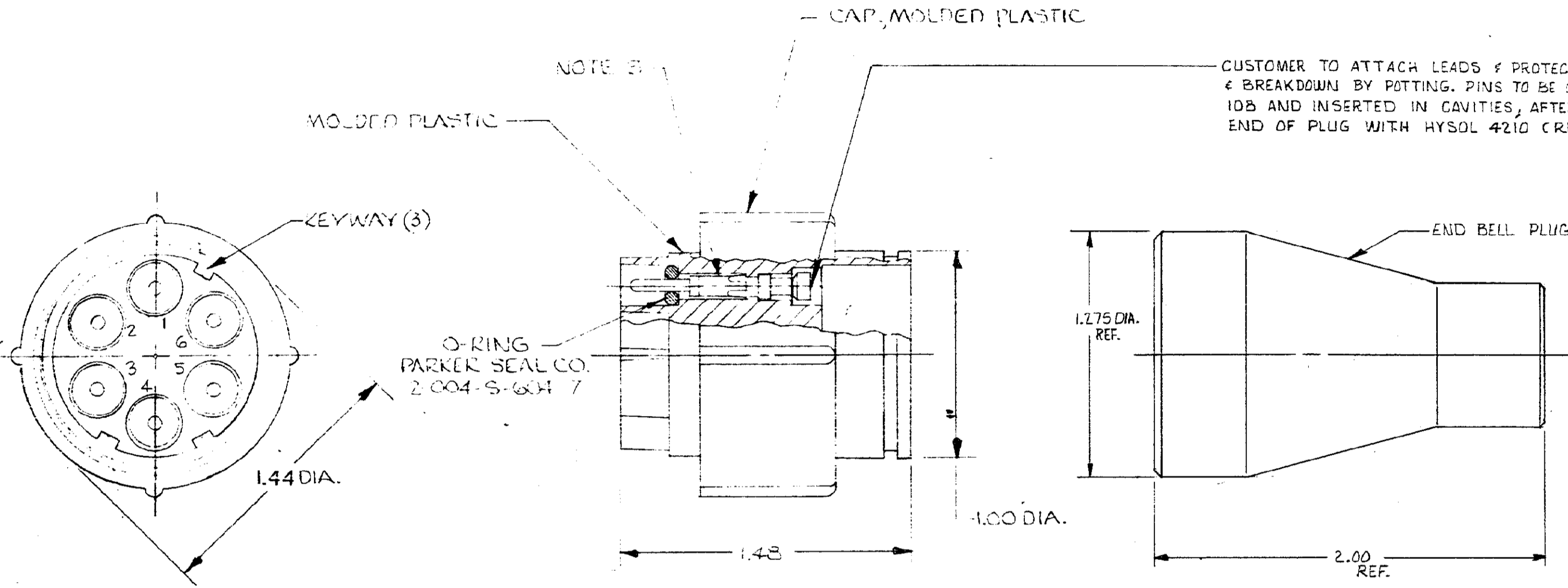
DRAWING MADE IN AMERICAN PROJECTION

© 1976 BY AMP INCORPORATED. ALL RIGHTS RESERVED. AMP PRODUCTS COVERED BY PATENTS AND/OR PATENTS PENDING.

THIS DRAWING IS THE PROPERTY OF AMP INCORPORATED. IT IS TO BE USED FOR THE PURPOSES SPECIFIED HEREIN. IT IS NOT TO BE REPRODUCED OR COPIED IN ANY MANNER WITHOUT THE WRITTEN PERMISSION OF AMP INCORPORATED.

Unpublished copy may not be reproduced or published without written permission of AMP Incorporated.

| REVISIONS | | | | |
|-----------|-----|------------------------------------|--------|----------|
| ZONE | LTR | DESCRIPTION | DATE | APPROVED |
| A | | IDENT CODE WAS 89110, ECN 8627, DS | 2-5-79 | M.H. |



CUSTOMER TO ATTACH LEADS & PROTECT AGAINST ARC-OVER & BREAKDOWN BY POTTING. PINS TO BE COATED WITH RTV 108 AND INSERTED IN CAVITIES, AFTER CURING FILL BACK END OF PLUG WITH HYSOL 4210 (REF. AMP#1-859234-7).

TYPE II PINS TO EXCEPT ONE (1) 14-AWG STRANDED WIRE.

- NOTE:
1. PLUG ASS'Y WILL WITHSTAND WITHOUT BREAKDOWN 27 KVDC PIN TO PIN & 27 KVDC PIN TO GRD. WHEN MATED WITH RECEPTACLE 859527-1.
 2. MARKING TO BE WHITE
 3. *16 GA. PINS GOLD PLATED PER MIL-G-45204 TYPE II .000050 MIN THK.
 4. PLUG & PINS TO BE SHIPPED SEPARATELY.
 5. TYPE II PINS TO EXCEPT ONE (1) *22, *24 OR *20 AWG STRANDED WIRE
 6. TYPE II PINS TO EXCEPT ONE (1) *16 AWG OR (1) 18 AWG STRANDED WIRE
 7. TO REMOVE PINS USE EXTRACTION TOOL *SG1751-1

| AMP PART NO. | WIRE SIZE RANGE | HAND TOOL |
|--------------|-----------------|-----------|
| 863023-1 | 20, 22, 24 | 45099 |
| 863023-2 | 16, 18 | 45098 |
| 863023-3 | 14 | 45098 |

| QTY REQD | QTY REQD | ITEM NO. | DWG SIZE | PART OR IDENTIFYING NO. | NOMENCLATURE OR DESCRIPTION | SYMBOL |
|----------|----------|----------|----------|-------------------------|-----------------------------|--------|
| -2 | -1 | | | | | |

| | | | | | |
|--|------------|--|---------|---|-------------------------|
| UNLESS OTHERWISE SPECIFIED: DIMENSIONS ARE IN INCHES TOLERANCES .00 = ±.04 ANGLES = J .000 = ±.015 | | CONTRACT NO. DP DICK STONE 3-1-76 CHK | | AMP INCORPORATED CAPITON DIVISION ELIZABETHTOWN, PENNSYLVANIA | |
| MATERIAL: ~ | | APPD M. Gardner 3/3/76 APPD | | NAME PLUG ASS'Y, H.V. 6 PIN LGH | |
| FINISH: BLACK | | DSGN APPD | | SIZE C | CODE IDENT NO. 00779 |
| OTHER APPD | | NUMBER 863023 | | SCALE 1/16" | WT |
| QTY REQD | FINAL ASSY | NEXT ASSY | USED ON | SHEET 1 OF 1 | |
| APPLICATION | | REV. A | | | |

单击下面可查看定价，库存，交付和生命周期等信息

[>>TE Connectivity\(泰科\)](#)