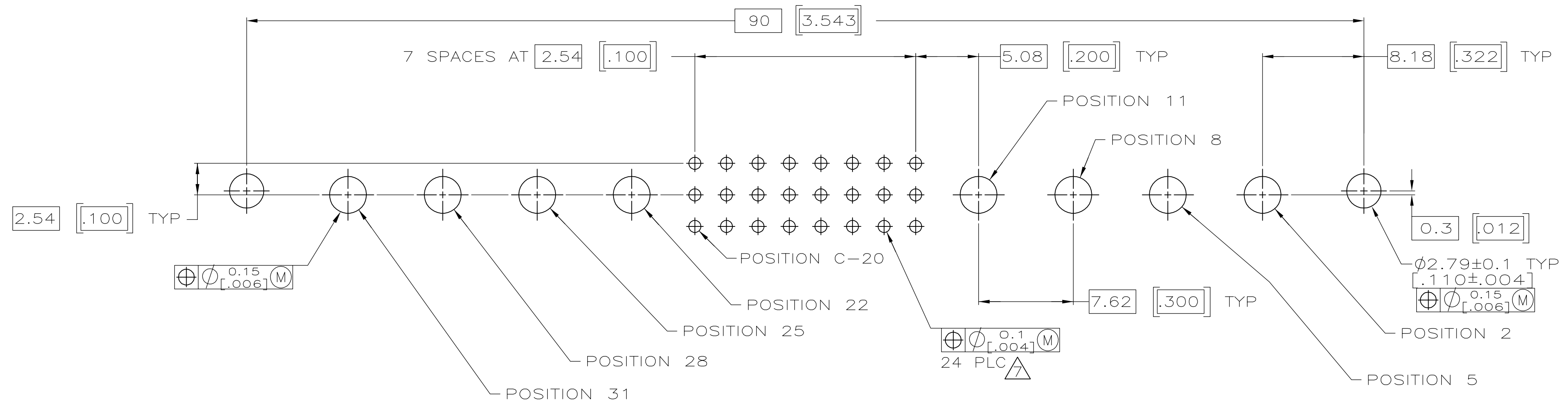
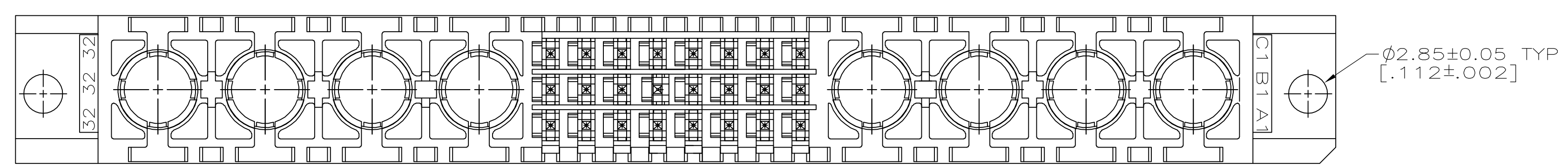
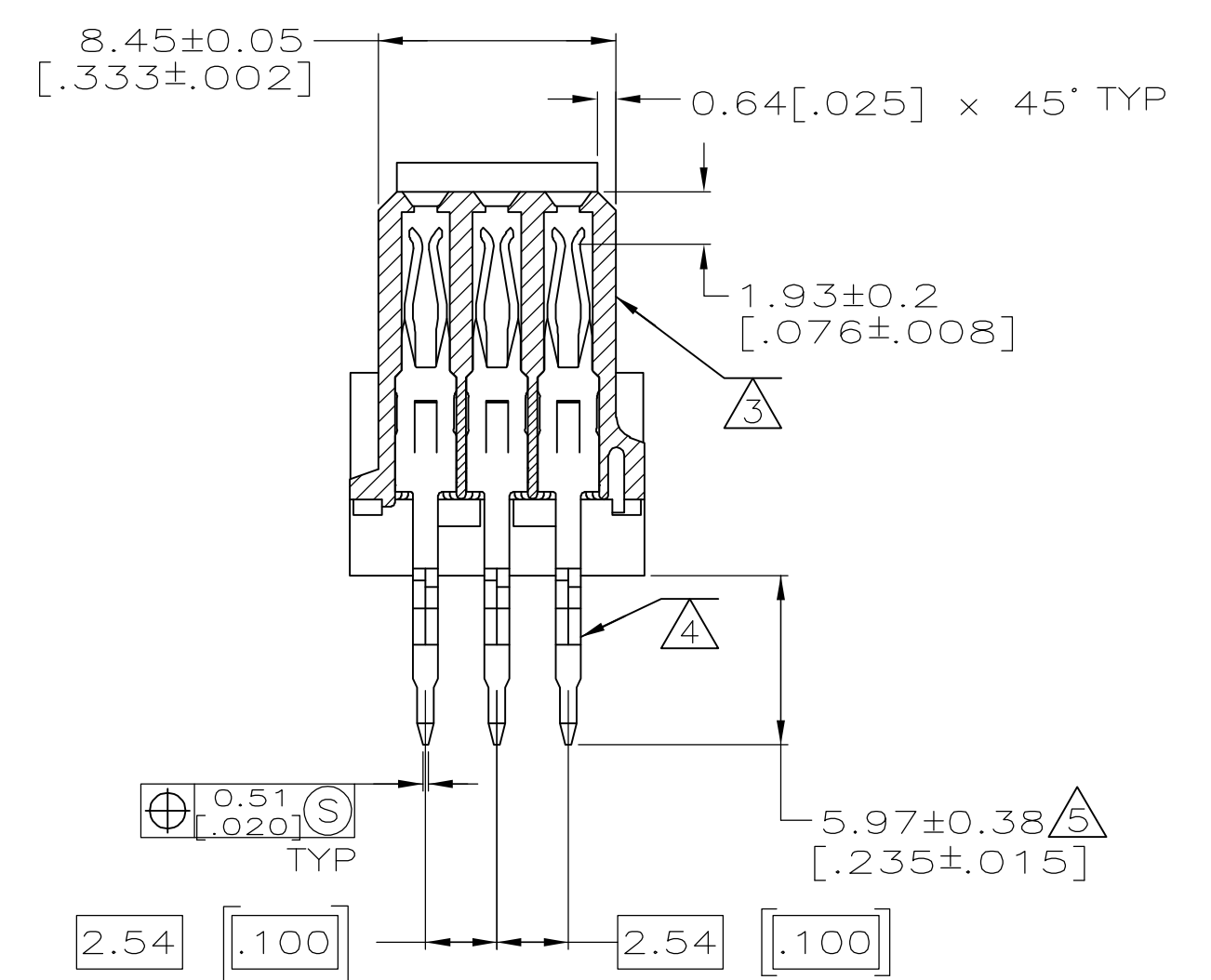
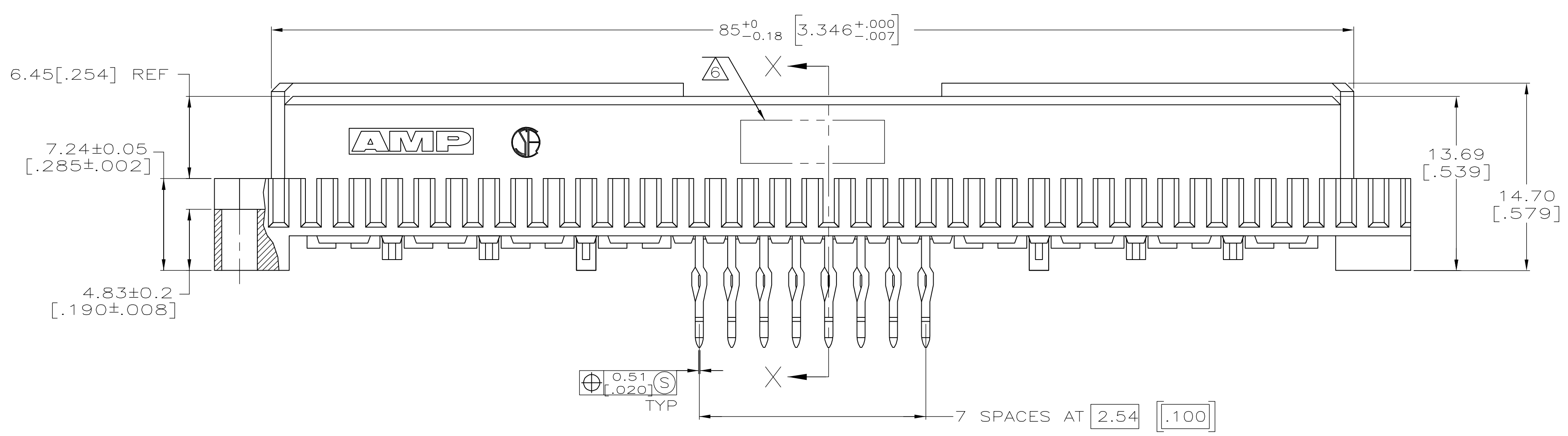
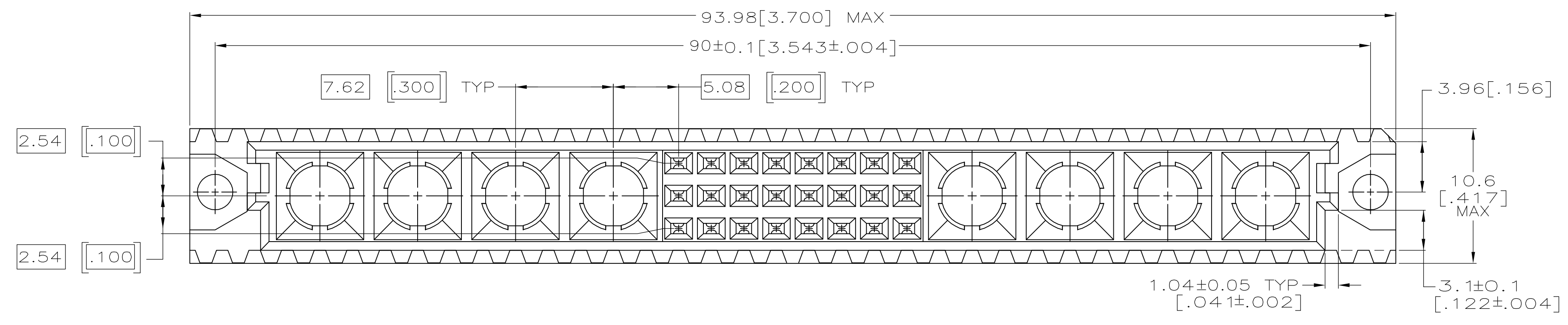


- ① HOUSING MATERIAL: GLASS-FILLED POLYMER.
- ② CONTACT MATERIAL: COPPER ALLOY.
- ③ MARKING ON THIS SIDE.
- ④ CONTACT FINISH: DIN 41612 CLASS 2 IN CONTACT AREA. TIN-LEAD PLATE ON POSTS.
- ⑤ TAIL LENGTH AFTER SEATING IN PC BOARD.
- ⑥ PART NUMBER AND DATE CODE IN THIS APPROXIMATE AREA.
- ⑦ ACTION PIN POSTS REQUIRE 1.57[.062] MINIMUM THICK PC BOARD. RECOMMENDED PC BOARD DRILLED HOLES ARE $\phi 1.15 \pm 0.025$ [.0453 \pm .0010] WITH 0.02-0.08 [.001-.003] COPPER AND 0.008 [.0003] MINIMUM TIN-LEAD PLATING. FINISHED HOLE AFTER PLATING IS $\phi 1.02 \pm 0.08$ [.040 \pm .003].



NONE	B	0	13-20	C	8	148700-1
			13-20	B	8	
			13-20	A	8	
POSITIONS LOADED	ROWS	NO. OF POWER CONTACTS LOADED	POSITIONS LOADED	ROWS	NO. OF SIGNAL CONTACTS LOADED	PART NUMBER
THIS DRAWING IS A CONTROLLED DOCUMENT. DWG: POLIGNONE 210CT05 DIMENSIONS: mm [INCHES] TOLERANCES UNLESS OTHERWISE SPECIFIED: 0 PLC ± - 1 PLC ± - 2 PLC ± 0.15[.005] 3 PLC ± - 4 PLC ± - ANGLES FINISH MATERIAL: ① ② ③ ④ CUSTOMER DRAWING SCALE: 4:1 SHEET 1 OF 1 REV A						
TYPICAL DIMENSIONS: ① ② ③ ④ ⑤ ⑥ ⑦			Tyco Electronics Corporation Harrisburg, PA 17105-3608 NAME: ASSEMBLY, RECEPTACLE, TYPE M, EUROCARD, 24+0/8, PRESS-FIT POSTS, 5.97[.235] SIZE: A1 CAGE CODE: 00779 DRAWING NO: 148700 RESTRICTED TO:			

单击下面可查看定价，库存，交付和生命周期等信息

[>>TE Connectivity\(泰科\)](#)