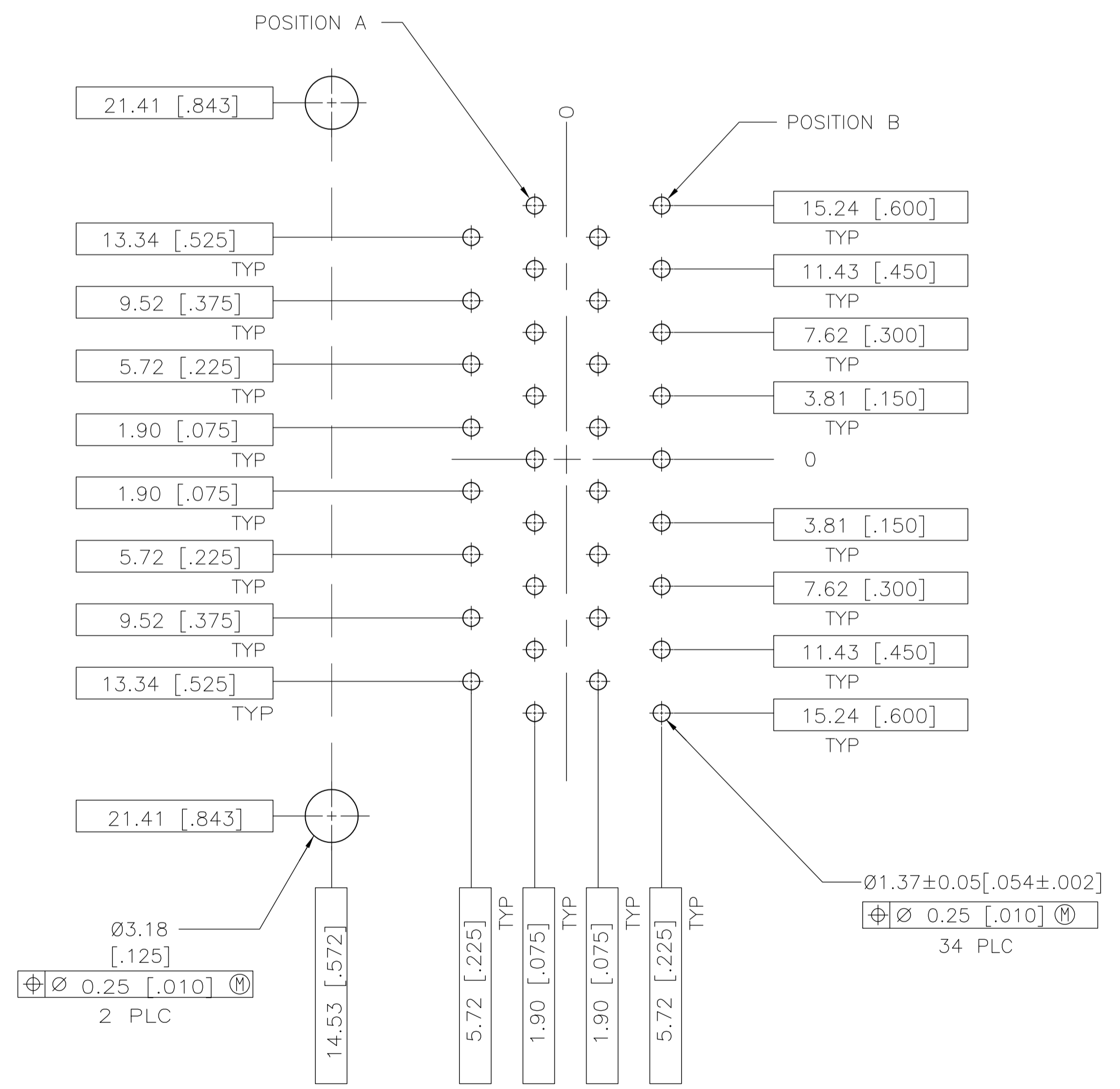
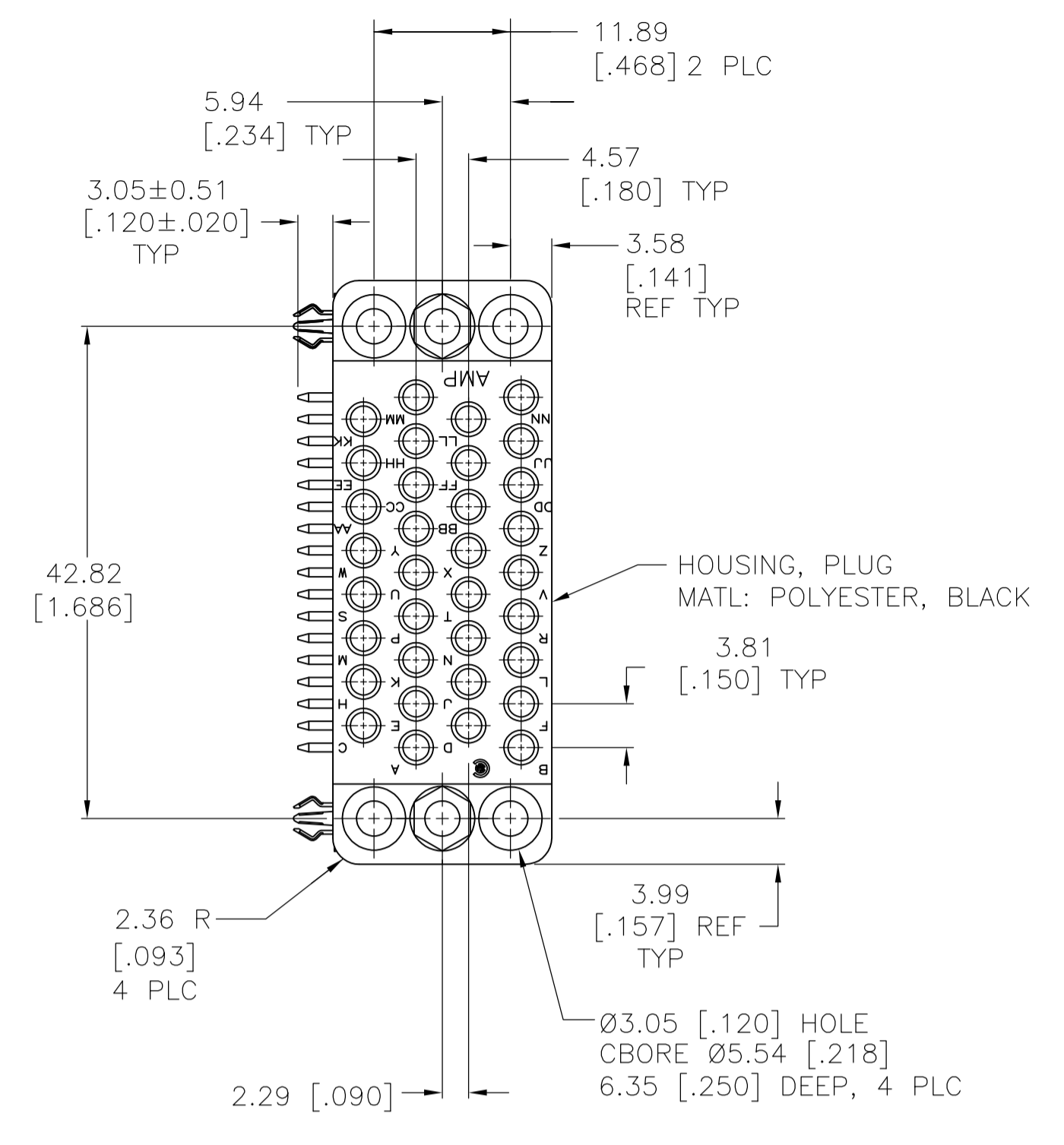
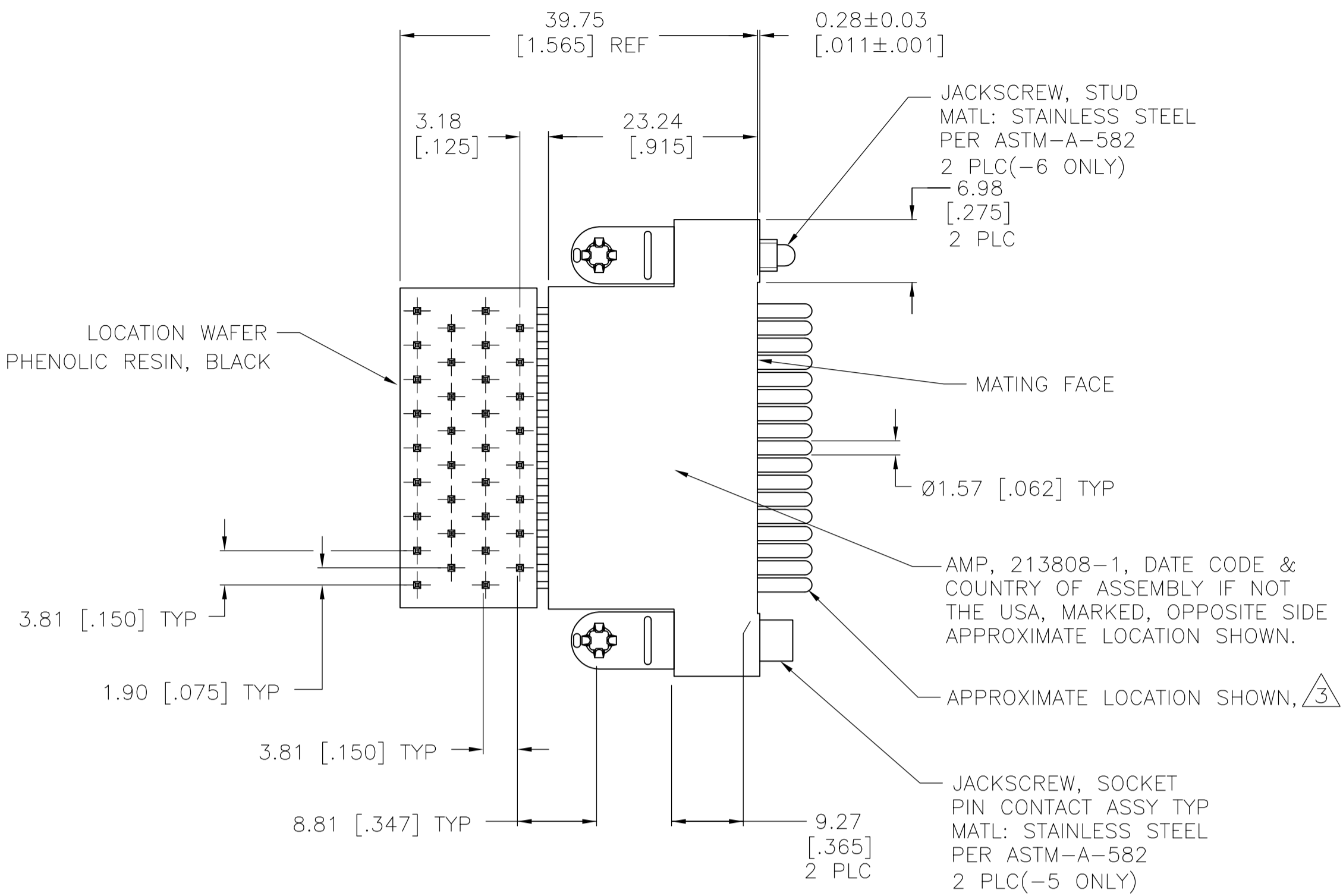
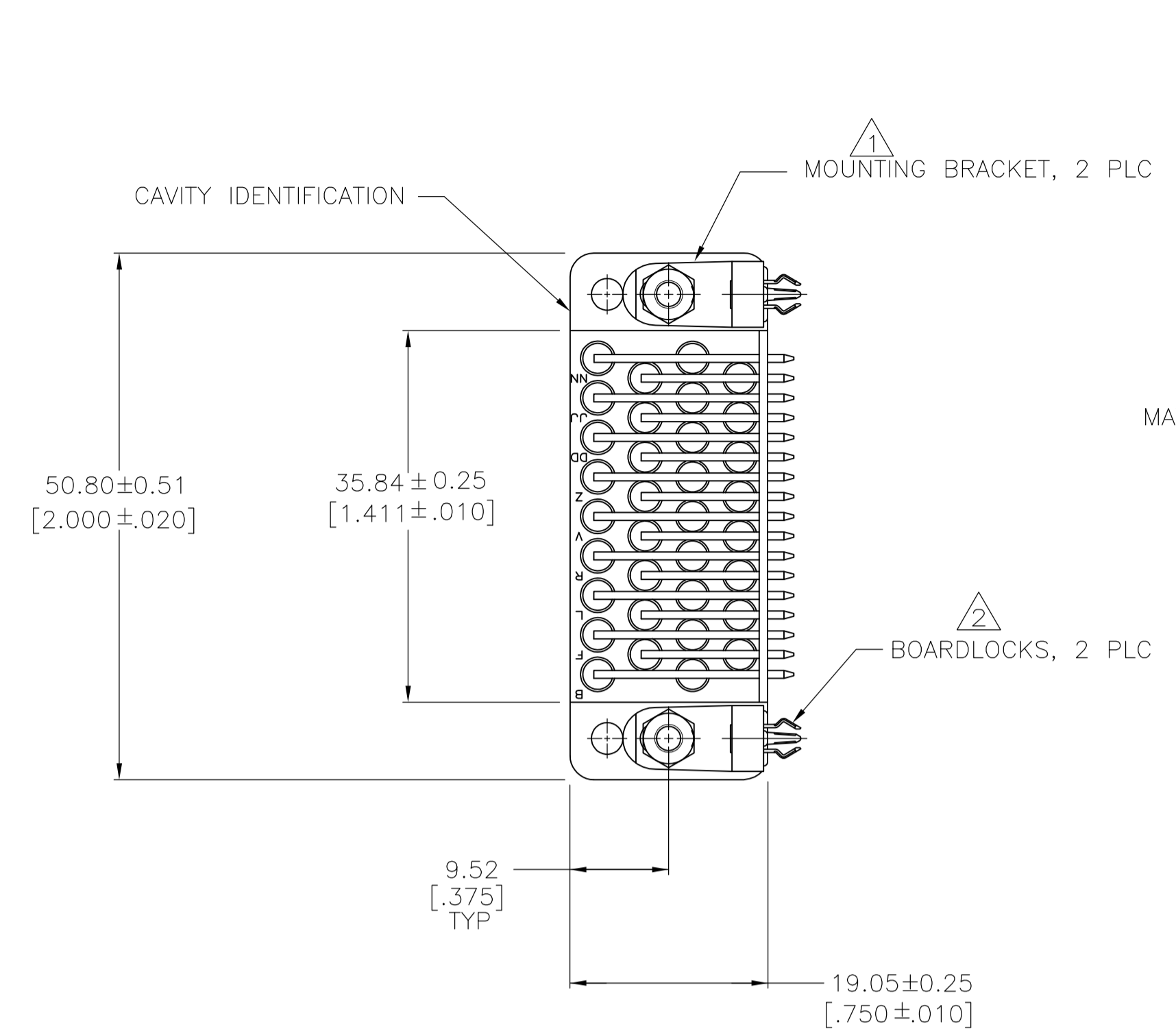
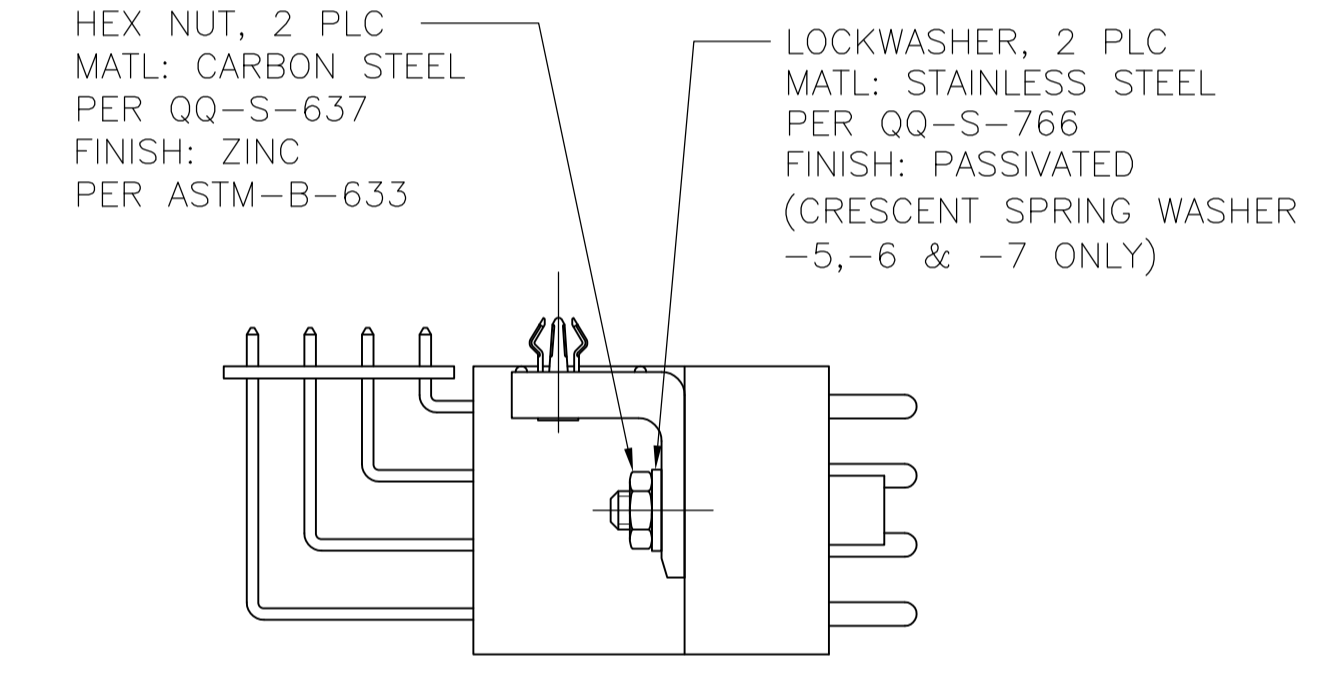


REVISIONS					
REV	DATE	DESCRIPTION	BY	CHK	APPV
E4	21SEP2016	REVISED PER ECO-16-013463		NK	MZ
F	28FEB2017	REVISED PER ECR-17-002064		RS	MZ



RECOMMENDED PC BOARD LAYOUT SCALE 4:1



- MOUNTING BRACKET:** MATERIAL: ZINC PER QQ-Z-363. FINISH: 3.81um [0.000150] MIN NICKEL PER QQ-N-290 OVER 2.54um [0.000100] MIN COPPER PER MIL-C-14550.
- BOARDLOCK:** MATERIAL: COPPER ALLOY PER ASTM-B-592. FINISH: 5.08um [0.000200] MIN TIN-LEAD PER MIL-T-10727 OVER 1.27um [0.000050] MIN NICKEL PER QQ-N-290.
- PIN CONTACT ASSEMBLY:** BODY MATERIAL: BRASS PER MIL-C-50. FINISH: 0.76um [0.000030] MIN GOLD PER MIL-G-45204 FOR A LENGTH OF 5.08 [0.200] MIN FROM MATING END, 2.54um [0.000100] MIN TIN-LEAD PER MIL-T-10727 FOR A LENGTH OF 6.35 [0.250] MIN FROM OPPOSITE END, BOTH OVER 1.27um [0.000050] MIN NICKEL PER QQ-N-290. SPRING-MATERIAL: STAINLESS STEEL PER QQ-S-766. POST-MATERIAL: BRASS PER ASTM-B-134. FINISH: 2.54um [0.000100] MIN TIN-LEAD PER MIL-T-10727 OVER 1.27um [0.000050] MIN NICKEL PER QQ-N-290.
- PIN CONTACT ASSEMBLIES ARE SELECTIVELY LOADED INTO HOUSING AND LOCATION WAFER AT CIRCUITS A,B,C,D,E,F,H,K,P,R,S,T,U,V,W,X,Y AND AA. NO HARDWARE IS SUPPLIED.**
- PIN CONTACT ASSEMBLY:** BODY MATERIAL: BRASS PER MIL-C-50. FINISH: 0.76um [0.000030] MIN GOLD PER MIL-G-45204 FOR A LENGTH OF 5.08 [0.200] MIN FROM MATING END, 2.54um [0.000100] MIN TIN-LEAD PER MIL-T-10727 FOR A LENGTH OF 6.35 [0.250] MIN FROM OPPOSITE END, BOTH OVER 1.27um [0.000050] MIN NICKEL PER QQ-N-290. SPRING-MATERIAL: STAINLESS STEEL PER QQ-S-766. POST-MATERIAL: BRASS PER ASTM-B-134. FINISH: 2.54um [0.000100] MIN TIN PER MIL-T-10727 OVER 1.27um [0.000050] MIN NICKEL PER QQ-N-290.
- BOARDLOCK:** MATERIAL: COPPER ALLOY PER ASTM-B-592. FINISH: 5.08um [0.000200] MIN TIN PER MIL-T-10727 OVER 1.27um [0.000050] MIN NICKEL PER QQ-N-290.
- OBSOLETE PARTS:** OBSOLETE CIS STREAMLINING PER D.RENAUD/D.SINISI

REV	DESCRIPTION	DATE	BY	CHK	APPV
7	OBSOLETE				
7	OBSOLETE				
7	OBSOLETE				
7	OBSOLETE				
7	SUPERSEDED				

THIS DRAWING IS A CONTROLLED DOCUMENT. DIMENSIONS: mm [INCHES]. TOLERANCES UNLESS OTHERWISE SPECIFIED: 0 PLC ±, 1 PLC ±, 2 PLC ± 0.13 [0.005], 3 PLC ±, 4 PLC ±, ANGLES ±.

DIN D.BROCKWAY 08-22-94  
 CHK R.STONE 09-08-94  
 APVD NAME

PRODUCT SPEC  
 APPLICATION SPEC

SIZE CASE CODE DRAWING NO. RESTRICTED TO  
 A1 00779 C=213808

CUSTOMER DRAWING SCALE 2:1 SHEET 1 OF 1 REV F

NOTE CONTACT & POST PLATING BOARDLOCK PLATING PART NUMBER

单击下面可查看定价，库存，交付和生命周期等信息

[>>TE Connectivity\(泰科\)](#)