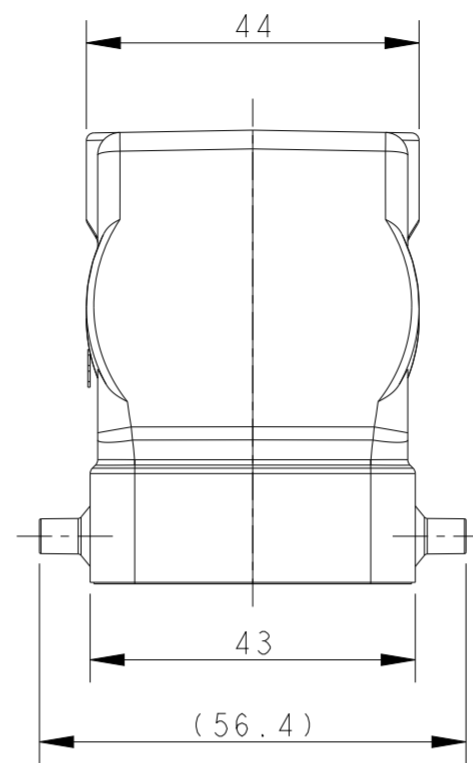
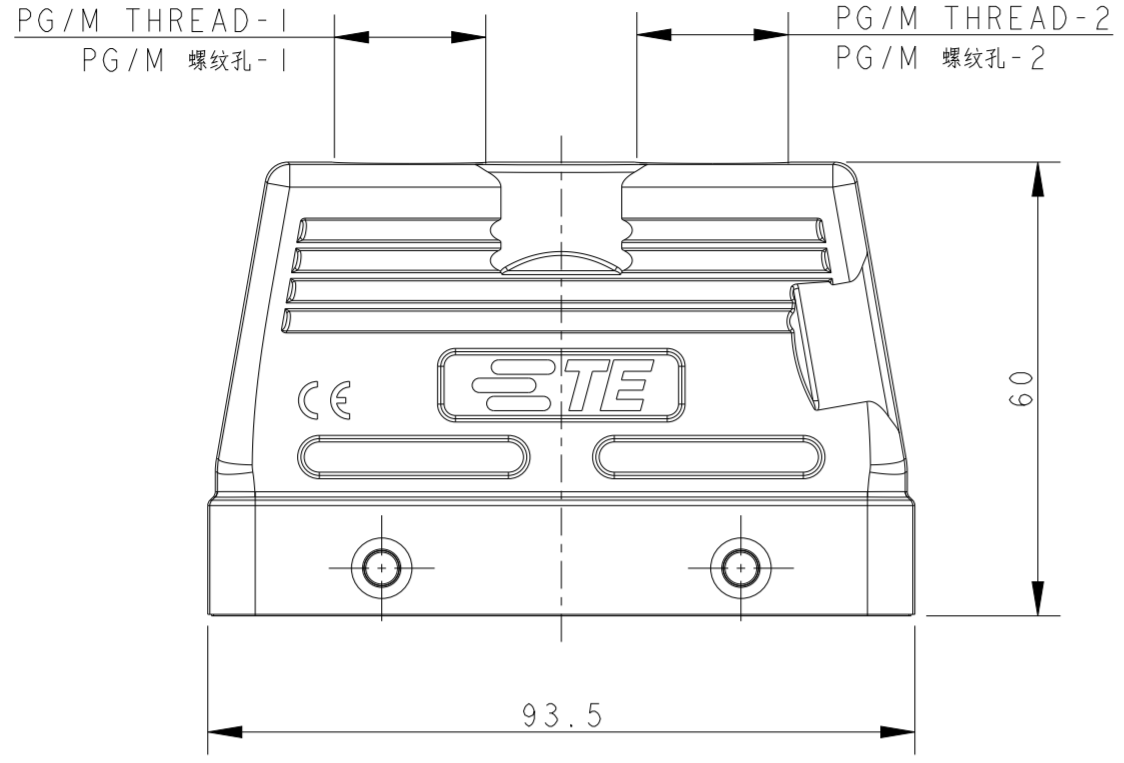


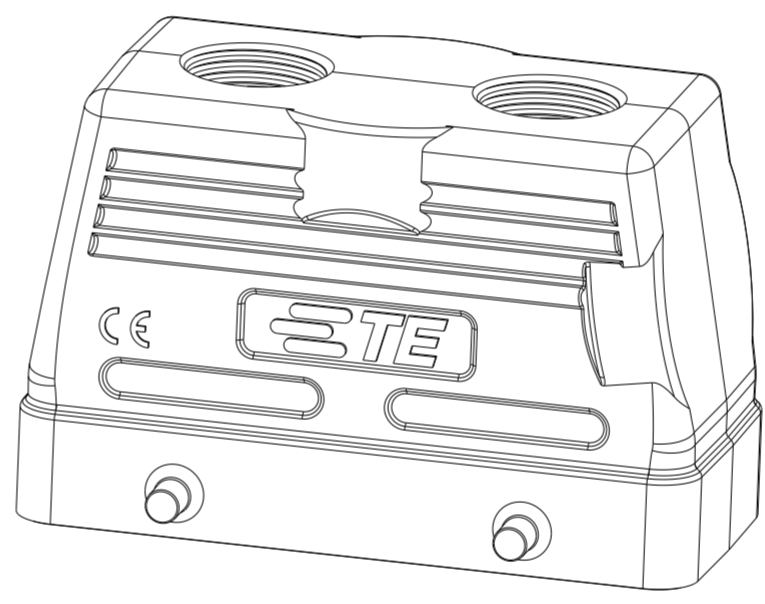
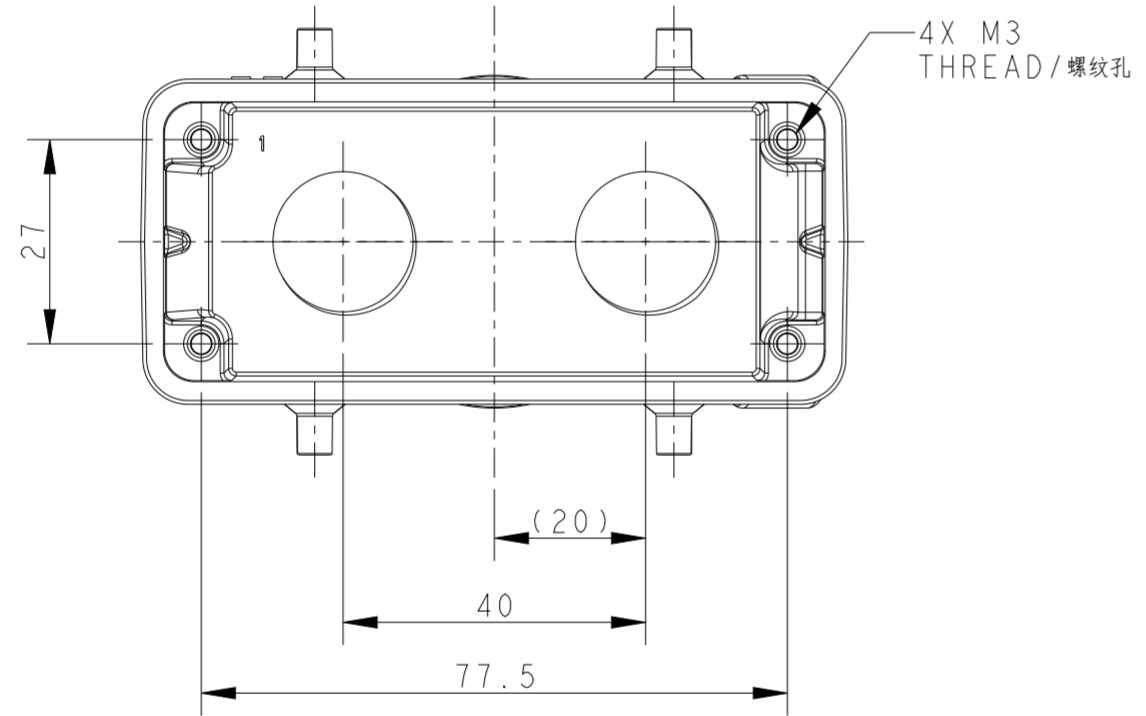
THIS DRAWING IS UNPUBLISHED. RELEASED FOR PUBLICATION 20
 © COPYRIGHT 20 BY - ALL RIGHTS RESERVED.

REVISIONS					
P	LTR	DESCRIPTION	DATE	DWN	APVD
A1		ECR-16-010972	30JUL2016	QY	CW
A2		ECR-17-010578	27JUL2017	RL	CW
B		ECR-20-008190	04AUG2020	WOR	CW
B1		ECR-21-105138	23JUN2021	WOR	CW



NOTES:
 1. TECHNICAL CHARACTERISTICS:
 HOOD MATERIAL: DIE CAST ALUMINIUM ALLOY
 SURFACE: POWDER COATED, GREY
 DEGREE OF PROTECTION: IP65 (MATED)

注释:
 1. 技术参数:
 上壳材料: 铝合金
 表面处理: 灰色粉末喷涂
 防护等级: IP65(配合)



T1220160220-000	H16B-TG-2M20	H16B HOOD, TOP ENTRY 2M20, 4 EAR, POWDER COATED, GREY H16B上壳, 顶出2M20, 4耳, 灰色粉末喷涂	M20	M20	LOW CONSTRUCTION 低结构
T1220160225-000	H16B-TG-2M25	H16B HOOD, TOP ENTRY 2M25, 4 EAR, POWDER COATED, GREY H16B上壳, 顶出2M25, 4耳, 灰色粉末喷涂	M25	M25	
T1220160216-001	H16B-TG-2M16	H16B HOOD, TOP ENTRY 2M16, 4 EAR, POWDER COATED, GREY H16B上壳, 顶出2M16, 4耳, 灰色粉末喷涂	M16	M16	
T1220160216-000	H16B-TG-2PG16	H16B HOOD, TOP ENTRY 2PG16, 4 EAR, POWDER COATED, GREY H16B上壳, 顶出2PG16, 4耳, 灰色粉末喷涂	PG16	PG16	
T1220161621-000	H16B-TG-PG16/PG21	H16B HOOD, TOP ENTRY PG16/PG21, 4 EAR, POWDER COATED, GREY H16B上壳, 顶出PG16/PG21, 4耳, 灰色粉末喷涂	PG16	PG21	
T1220161632-000	H16B-TG-M32/M16	H16B HOOD, TOP ENTRY M32/M16, 4 EAR, POWDER COATED, GREY H16B上壳, 顶出M32/M16, 4耳, 灰色粉末喷涂	M32	M16	
T1220162032-000	H16B-TG-M32/M20	H16B HOOD, TOP ENTRY M32/M20, 4 EAR, POWDER COATED, GREY H16B上壳, 顶出M32/M20, 4耳, 灰色粉末喷涂	M32	M20	
T1220161625-000	H16B-TG-M16/M25	H16B HOOD, TOP ENTRY M16/M25, 4 EAR, POWDER COATED, GREY H16B上壳, 顶出M16/M25, 4耳, 灰色粉末喷涂	M16	M25	
PART NUMBER 料号	PART DESCRIPTION 描述		PG/M THREAD-1 PG/M 螺纹孔-1	PG/M THREAD-2 PG/M 螺纹孔-2	TYPE 类型

THIS DRAWING IS A CONTROLLED DOCUMENT.

DWN David Wang 25MAY2015
 CHK Chris Wang 25MAY2015
 APVD Xiang Xu 25MAY2015

STE TE Connectivity

NAME H16B-TG-2M/PG

PRODUCT SPEC 108-137013
 APPLICATION SPEC 114-137013

SIZE A2 CAGE CODE 00779 DRAWING NO. T122016XXXX000 RESTRICTED TO

SCALE 1:1 SHEET 1 OF 1 REV B1

CUSTOMER DRAWING

单击下面可查看定价，库存，交付和生命周期等信息

[>>TE Connectivity\(泰科\)](#)