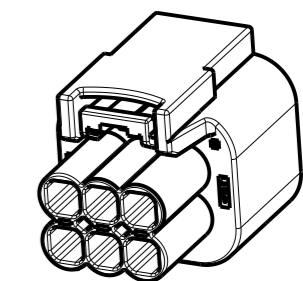
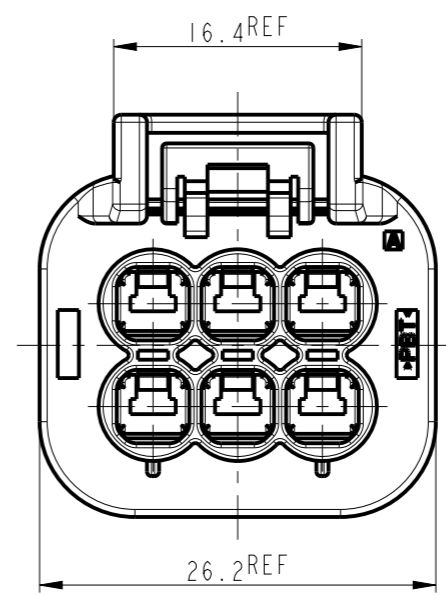
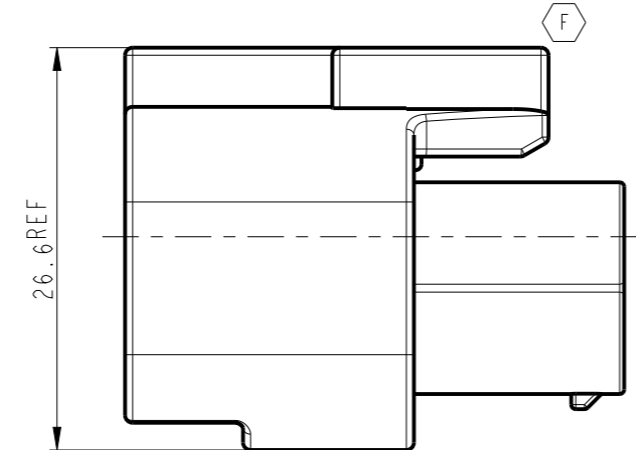
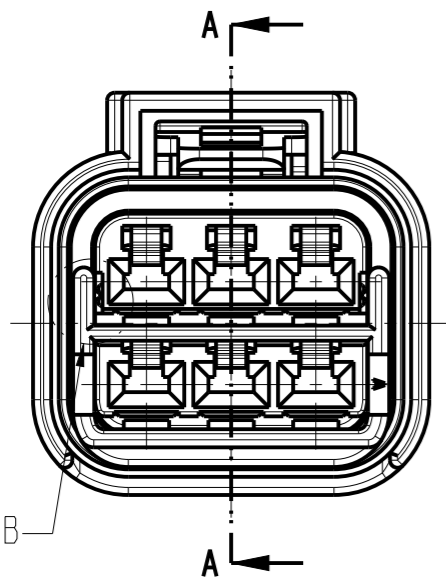


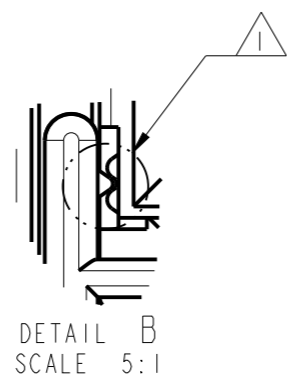
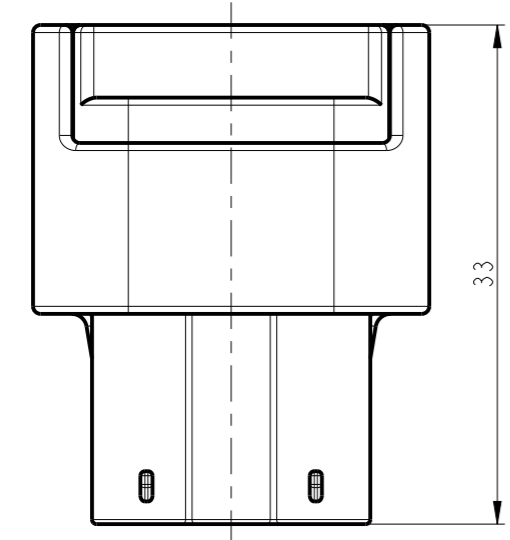
REVISIONS

P	LTR	DESCRIPTION	DATE	DWN	APVD
D		REVISED (ECR-11-023126)	22NOV2011	SJ	HG
E		REVISED (ECR-16-000548)	09MAR2016	SJ	JW
F		REVISED (ECR-17-003587)	02MAY2017	SJ	JW
G		REVISED (ECR-20-008916)	13OCT2020	YH	YJ

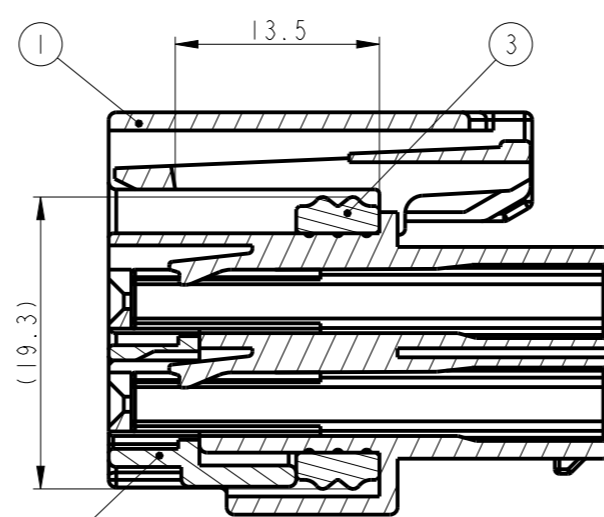


3D ISO  
SCALE 1:1

SEE DETAIL B



DETAIL B  
SCALE 5:1



SECTION A-A

NOTE.

- 1. CONDITION OF DELIVERY : DBL PLATE IN OPEN POSITION
- 2. APPLIED RECEPTACLE CONTACT P/N

CONTACT	MCP-E TERMINAL	
Part No.	936606-1	936607-1
WIRE SIZE (mm <sup>2</sup> )	1.0~2.5 SQ	0.5~1.0 SQ

- 3. APPLIED MALE CONNECTOR P/N : 936294-2
- 4. APPLIED COVER HSG P/N : 936303-2
- 5. GENERAL TOLERANCE : TABLE 2

NO.	DESCRIPTION	MATERIAL	COLOR	QTY	ASS'Y P/N
3	INNER SEAL	SILICONE	BROWN	1	936257-2
2	DBL HSG	PBT	NATURAL	1	936257-3
1	PLUG HSG	PBT	GRAY	-	
	PLUG HSG	PBT	BLACK	1	

< TABLE 2 >

TOLERANCES UNLESS OTHERWISE SPECIFIED :		
0 <XX<10	±	0.2
10<XX<30	±	0.25
30<XX	±	0.3
ANGLES	±	3°

THIS DRAWING IS A CONTROLLED DOCUMENT.

DIMENSIONS:	TOLERANCES UNLESS OTHERWISE SPECIFIED:
mm	0 PLC ±
	1 PLC ±
	2 PLC ±
	3 PLC ±
	4 PLC ±
	ANGLES ±
MATERIAL	FINISH
SEE TABLE	

THIS DRAWING IS A CONTROLLED DOCUMENT.

DWN YH MA  
 CHK BM JANG  
 APVD CS IFF  
 PRODUCT SPEC  
 APPLICATION SPEC  
 WEIGHT  
 CUSTOMER DRAWING

**TE** TE Connectivity

NAME MCP-E SEALED 6P PLUG ASSEMBLY

SIZE	CAGE CODE	DRAWING NO	RESTRICTED TO
A3	00779	G-936257	

SCALE 2:1 SHEET 1 OF 1 REV G

单击下面可查看定价，库存，交付和生命周期等信息

[>>TE Connectivity\(泰科\)](#)