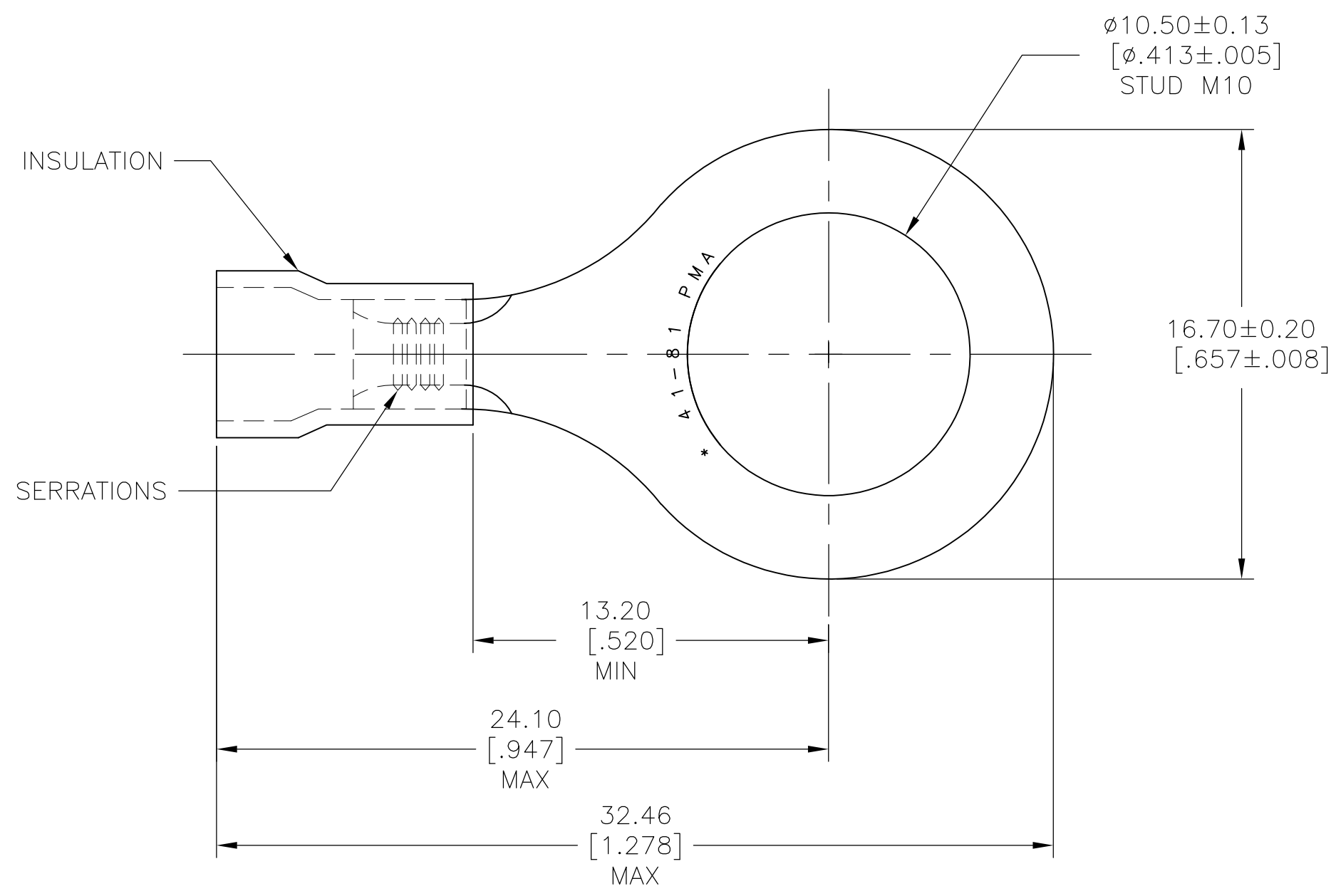


THIS DRAWING IS UNPUBLISHED. RELEASED FOR PUBLICATION  
 © COPYRIGHT - By - ALL RIGHTS RESERVED.

LOC	DIST	REVISIONS			
P	LTR	DESCRIPTION	DATE	DWN	APVD
	B3	REVISED PER ECO-14-016628	04NOV2014	NK	DR



- 1 COPPER PER ASTM B152  
INSULATION: PVC, BLUE.
- 2 TIN PLATED PER ASTM B545.
- 3 FOR 3.00[.118] TO 4.90[.193]  
MAX INSULATION DIAMETER.

500	LOOSE PIECE	160136
QTY	PACKAGE TYPE	PART NO

THIS DRAWING IS A CONTROLLED DOCUMENT.		DWN KIRAN HOLAL 06FEB12	<b>STE</b> TE Connectivity													
DIMENSIONS: mm [INCHES]		CHK ROHDE DANIEL 06FEB12														
TOLERANCES UNLESS OTHERWISE SPECIFIED:		APVD ROHDE DANIEL 06FEB12	NAME TERMINAL, RING TONGUE PLASTI-GRIP WIRE SIZE:16-14 AWG													
<table border="0"> <tr><td>0 PLC</td><td>± -</td></tr> <tr><td>1 PLC</td><td>± -</td></tr> <tr><td>2 PLC</td><td>± -</td></tr> <tr><td>3 PLC</td><td>± -</td></tr> <tr><td>4 PLC</td><td>± -</td></tr> <tr><td>ANGLES</td><td>± -</td></tr> </table>		0 PLC	± -	1 PLC	± -	2 PLC	± -	3 PLC	± -	4 PLC	± -	ANGLES	± -	PRODUCT SPEC -	SIZE A3	
0 PLC	± -															
1 PLC	± -															
2 PLC	± -															
3 PLC	± -															
4 PLC	± -															
ANGLES	± -															
MATERIAL		APPLICATION SPEC -	CAGE CODE 00779	DRAWING NO C-160136												
FINISH		WEIGHT -	RESTRICTED TO -													
1		CUSTOMER DRAWING		SCALE 5:1												
2		SHEET 1 OF 1		REV B3												

单击下面可查看定价，库存，交付和生命周期等信息

[>>TE Connectivity\(泰科\)](#)