

THIS DRAWING IS UNPUBLISHED. RELEASED FOR PUBLICATION - . - .

© COPYRIGHT - By - ALL RIGHTS RESERVED.

REVISIONS					
P	LTR	DESCRIPTION	DATE	DWN	APVD
	T5	PART STATUS UPDATED	22JAN2018	RK	PS

PHYSICAL PROPERTIES:
 HOUSING MATERIAL: PBT
 FLAMMABILITY: UL94V-0
 COLOR: BLACK
 MAX BOW/WARP: .0056 IN/IN.

TERMINAL:
 TERMINALS: BRASS, TIN PLATED. (UNLESS OTHERWISE STATED)
 SCREWS: 8-32 STEEL, NICKEL PLATED. (UNLESS OTHERWISE STATED)
 Q.C. TABS: BRASS, NICKEL PLATED.


MECHANICAL:
 PITCH (TERMINAL SPACING): .563"
 WIRE RANGE: 10-22 AWG
 RECOMMENDED TIGHTENING TORQUE: 14IN-LBS MAX.

ELECTRICAL PROPERTIES:
 MAXIMUM CURRENT: 30A
 OPERATING VOLTAGE: 300V

ENVIRONMENTAL PROPERTIES:
 OPERATING TEMP RANGE: -40°C TO 120°C

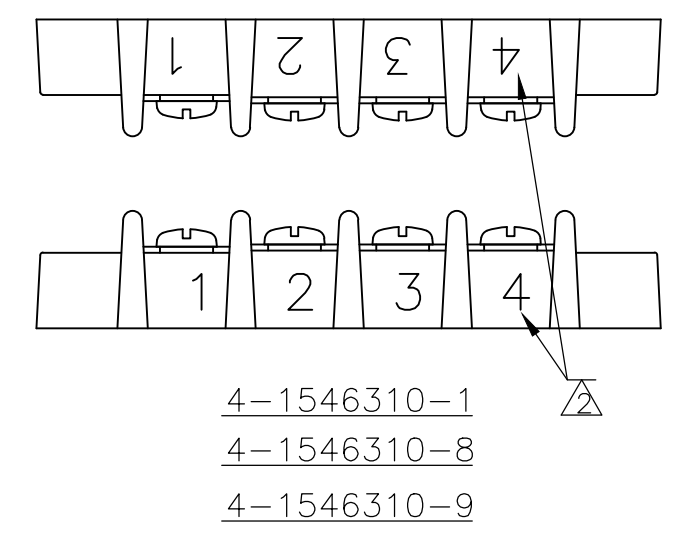
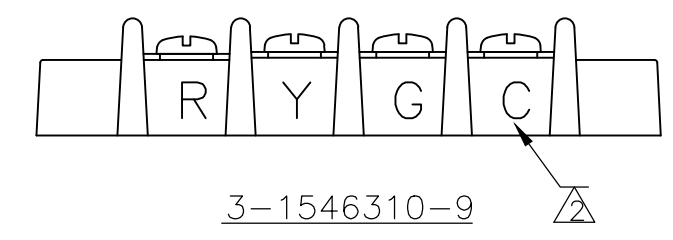
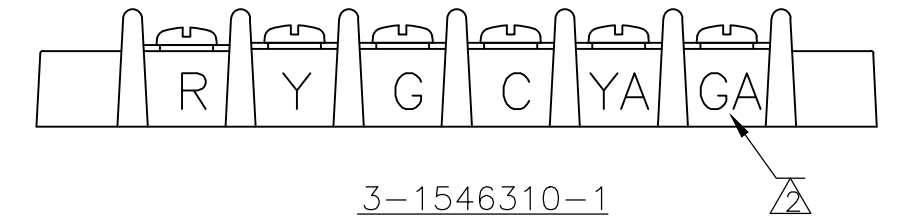
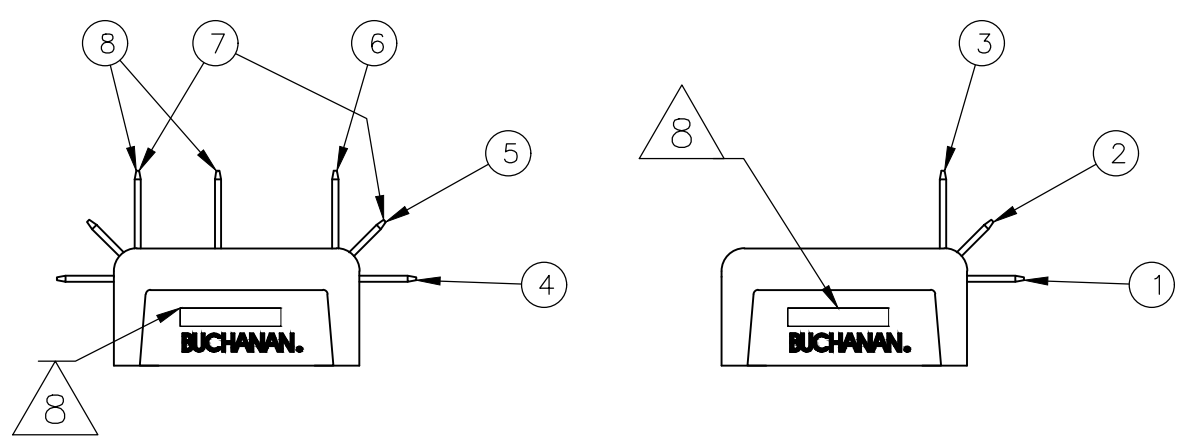
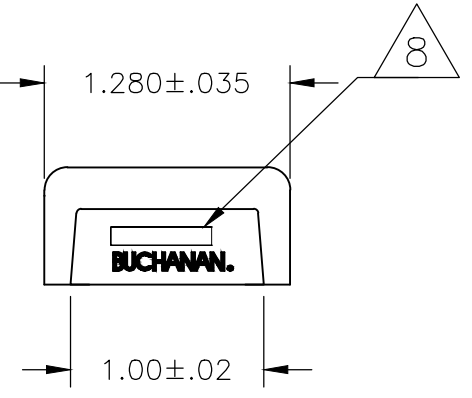
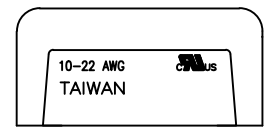
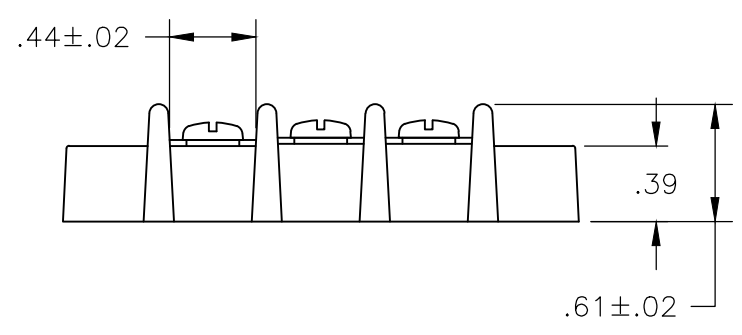
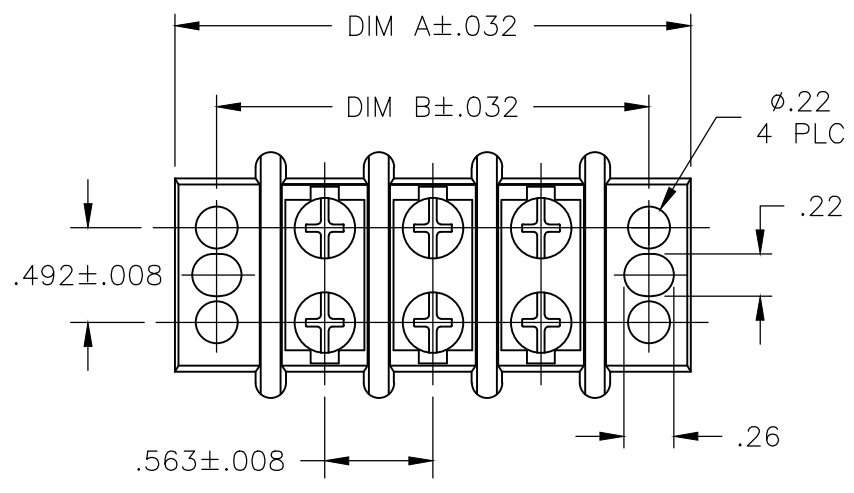
- △ STAINLESS STEEL SCREWS.
- △ WHITE INK STAMP.
- △ NICKEL PLATED BRASS TERMINALS.
- △ NICKEL PLATED BRASS SCREWS.
- △ SEE FIGURE.
- △ PRELIMINARY PART NUMBER.
- △ OBSOLETE PART NUMBER.
- △ TE CONNECTIVITY LOGO LOCATED APPROXIMATE AREA SHOWN.

6/5	-	-	-	-	-	-	-	-	-	7.886	8.323	13	1-1546310-3
2/7	-	-	-	-	-	-	-	12	12	7.323	7.760	12	4-1546310-8
△	8	-	-	-	-	12	12	12	-	7.323	7.760	12	4-1546310-7
△	-	-	-	-	12	12	12	-	-	7.323	7.760	12	4-1546310-6
-	-	-	-	-	-	-	-	-	-	7.323	7.760	12	1-1546310-2
-	-	-	-	-	-	-	-	-	-	6.760	7.179	11	1-1546310-1
-	-	-	-	-	-	-	-	-	-	6.197	6.634	10	1-1546310-0
-	-	-	-	-	-	-	-	-	-	5.634	6.071	9	1546310-9
4/7	-	-	-	-	-	-	-	-	-	5.071	5.508	8	4-1546310-5
-	8	8	-	-	-	-	-	-	-	5.071	5.508	8	2-1546310-9
-	-	-	-	-	-	-	-	-	-	5.071	5.508	8	1546310-8
△	-	-	-	-	-	7	-	-	-	4.508	4.945	7	3-1546310-8
△	-	-	-	-	-	-	-	-	-	4.508	4.945	7	1546310-7
4/7	-	-	-	-	-	-	-	-	-	3.945	4.382	6	4-1546310-4
4/7	-	-	-	-	-	-	-	-	-	3.945	4.382	6	4-1546310-3
△	-	-	-	-	-	-	-	-	-	3.945	4.382	6	4-1546310-2
5/3/2/1	-	-	-	-	-	-	-	-	-	3.945	4.382	6	3-1546310-1
-	-	-	-	-	-	6	-	-	-	3.945	4.382	6	3-1546310-0
-	6	6	-	-	-	-	-	-	-	3.945	4.382	6	2-1546310-8
5/4/3	1	1	-	-	5	1	-	-	-	3.945	4.382	6	2-1546310-6
1/7	-	-	-	-	-	-	6	-	-	3.945	4.382	6	2-1546310-3
1/7	-	-	-	-	-	-	-	-	-	3.945	4.382	6	2-1546310-2
7	-	-	-	-	-	-	-	-	6	3.945	4.382	6	2-1546310-1
5/2/7	-	-	-	-	-	-	-	-	6	3.945	4.382	6	1546636-1
6/1	-	-	-	6	-	-	-	-	6	3.945	4.382	6	1-1546310-9
1	-	-	-	6	-	-	-	-	-	3.945	4.382	6	1546589-1
-	-	-	-	-	-	-	-	-	-	3.945	4.382	6	1546310-6
-	-	-	-	-	-	5	-	-	-	3.382	3.819	5	3-1546310-7
5/4/3	1	1	-	-	-	-	-	1	5	3.382	3.819	5	2-1546310-7
-	-	-	-	-	-	-	-	-	-	3.382	3.819	5	1546310-5
2/6	-	-	-	-	-	-	-	4	4	2.819	3.256	4	5-1546310-0
5/4/3/2	-	-	-	-	-	-	-	-	-	2.819	3.256	4	4-1546310-1
△/4	-	-	-	-	-	-	-	-	-	2.819	3.256	4	4-1546310-0
5/3/2/1	-	-	-	-	-	-	-	-	-	2.819	3.256	4	3-1546310-9
-	-	-	-	-	-	-	-	-	-	2.819	3.256	4	1546310-4
4/3	-	-	-	-	-	-	-	-	-	2.256	2.693	3	2-1546310-5
5/1	-	-	-	-	-	-	-	3	1	2.256	2.693	3	2-1546310-4
6/5/1	-	-	1	2	-	-	-	1	-	2.256	2.693	3	2-1546310-0
-	-	-	-	-	-	-	-	-	-	2.256	2.693	3	1546310-3
-	-	-	-	-	-	-	-	2	-	1.693	2.130	2	5-1546310-1
-	-	-	-	-	-	-	-	-	-	1.693	2.130	2	1546310-2

NOTES	(9)	OTB JUMPER	(8)	.250 QC TAB 90° DOUBLE SIDE	(7)	.250 QC TAB 90°/45° DOUBLE SIDE	(6)	.250 QC TAB 90° DOUBLE SIDE	(5)	.250 QC TAB 45° DOUBLE SIDE	(4)	.250 QC TAB STRAIGHT DOUBLE SIDE	(3)	.250 QC TAB 90° SINGLE SIDE	(2)	.250 QC TAB 45° SINGLE SIDE	(1)	.250 QC TAB STRAIGHT SINGLE SIDE	DIM B	DIM A	NO. OF POSN	PART NUMBER	
	THIS DRAWING IS A CONTROLLED DOCUMENT.														DWN	S SCHLEGEL	16FEB2007	 TE Connectivity Ltd.					
	DIMENSIONS: INCHES					TOLERANCES UNLESS OTHERWISE SPECIFIED: 0 PLC ± - 1 PLC ± - 2 PLC ± - 3 PLC ± - 4 PLC ± - ANGLES ± -					CHK	S YODER	2/16/07	NAME	14.3 (.563) DBL ROW BARRIER STRIP W/O WASHER								
	MATERIAL		FINISH		WEIGHT		SCALE		CAGE CODE		DRAWING NO		RESTRICTED TO										
							A2		00779		C=1546310												
	CUSTOMER DRAWING																	SCALE	NTS	SHEET	1 of 4	REV	T5

THIS DRAWING IS UNPUBLISHED. RELEASED FOR PUBLICATION
 © COPYRIGHT - By - ALL RIGHTS RESERVED.

REVISIONS				
P	LTR	DESCRIPTION	DATE	APVD
-	-	SEE SHEET 1	-	-



REV	DESCRIPTION	DATE	BY	CHKD	APVD	QTY	POSN	NO. OF POSN	DIM B	DIM A	PART NUMBER
2						2		14	1.693	2.130	5-1546310-1
								18	10.701	11.138	1-1546310-8
								17	10.138	10.575	1-1546310-7
								16	9.575	10.012	1-1546310-6
								15	9.012	9.449	1-1546310-5
6								14	8.449	8.886	4-1546310-9
								14	8.449	8.886	1-1546310-4

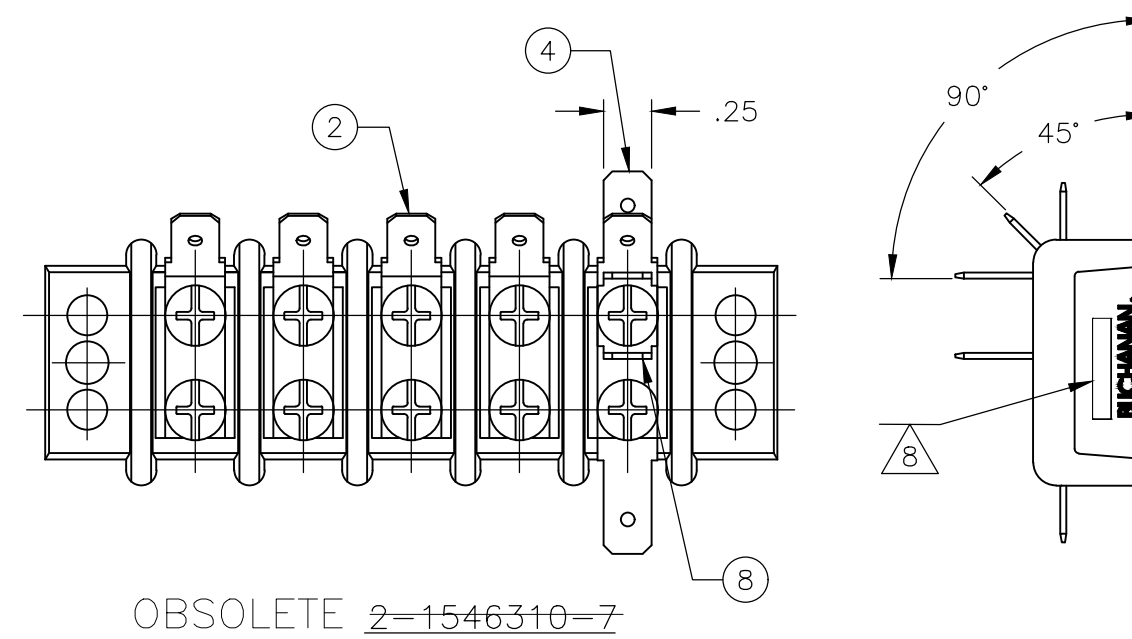
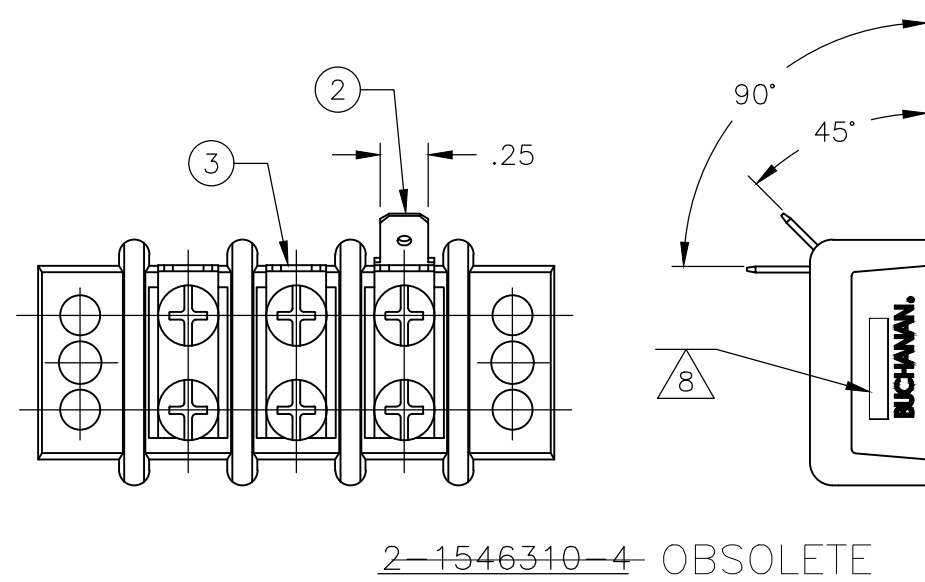
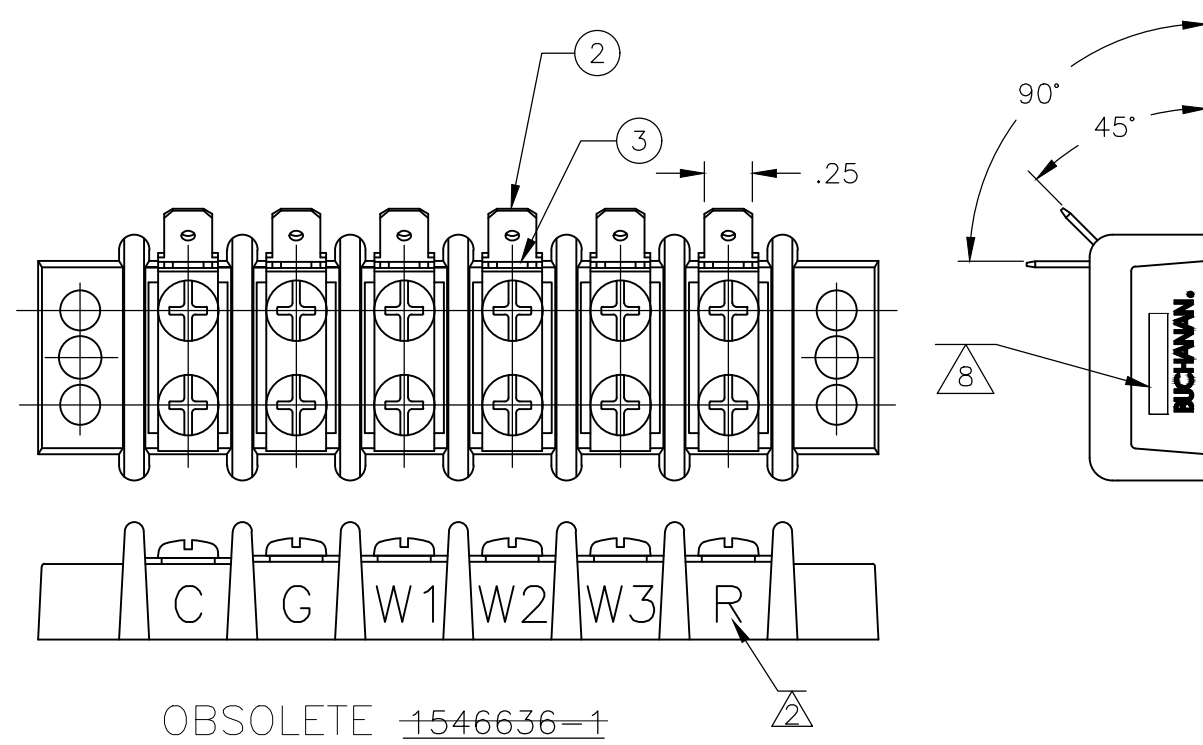
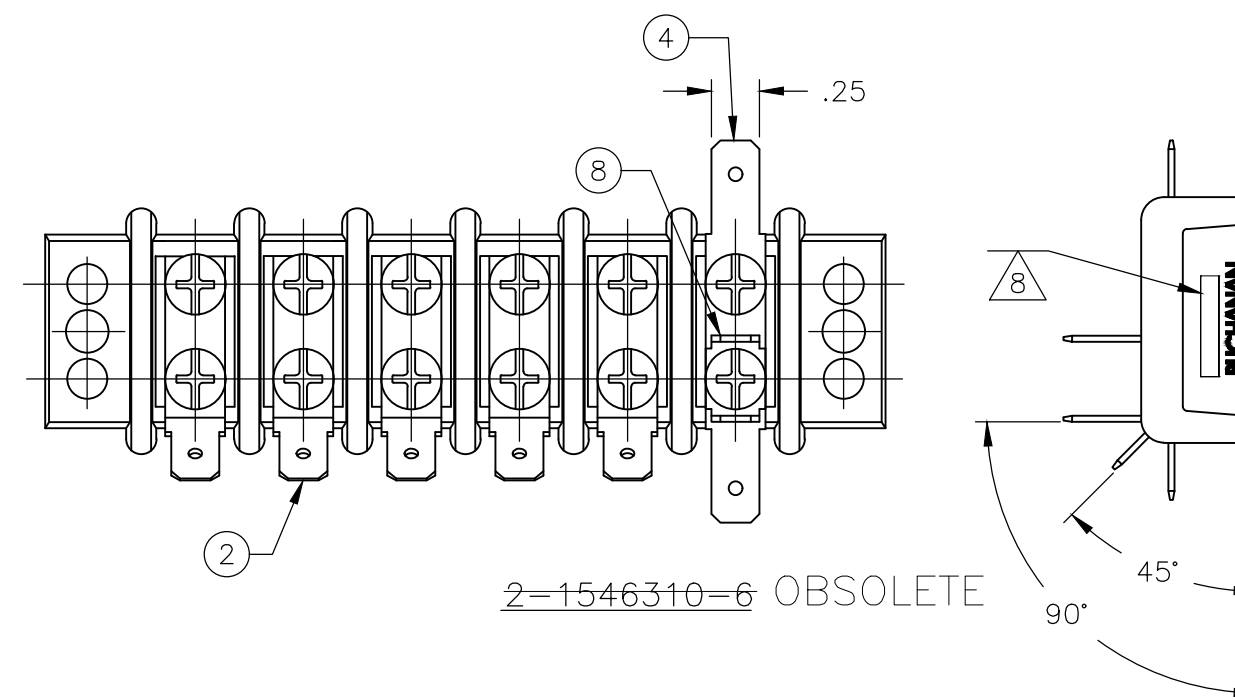
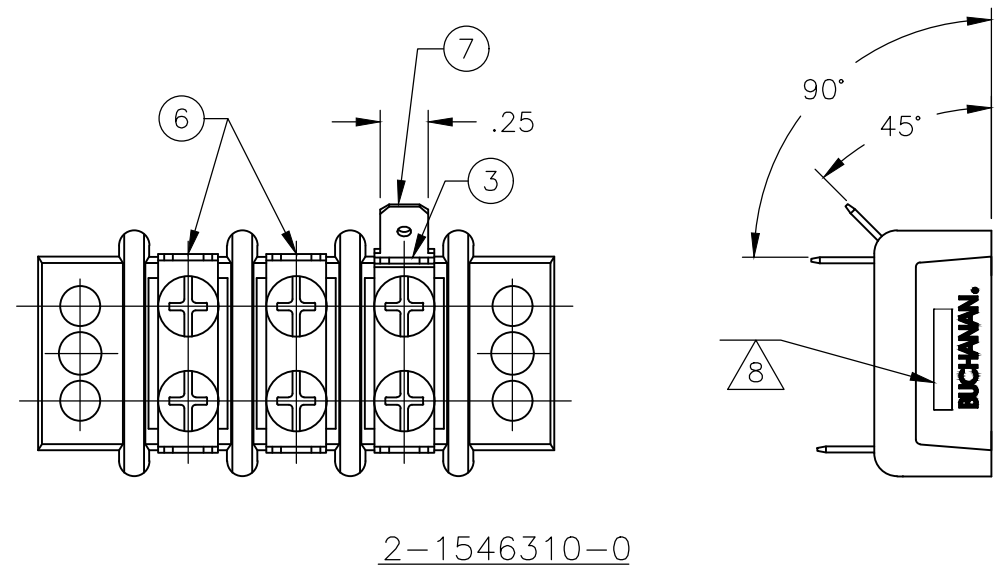
NOTES: (9) OTB JUMPER (8) .250 QC TAB 90° DOUBLE SIDE (7) .250 QC TAB 90°/45° DOUBLE SIDE (6) .250 QC TAB 90° DOUBLE SIDE (5) .250 QC TAB 45° DOUBLE SIDE (4) .250 QC TAB STRAIGHT DOUBLE SIDE (3) .250 QC TAB 90° SINGLE SIDE (2) .250 QC TAB 45° SINGLE SIDE (1) .250 QC TAB STRAIGHT SINGLE SIDE


THIS DRAWING IS A CONTROLLED DOCUMENT.

DIMENSIONS: INCHES	TOLERANCES UNLESS OTHERWISE SPECIFIED:	DWN S SCHLEGEL 16FEB2007	TE Connectivity Ltd.
		CHK S YODER 2/16/07	
		APVD S YODER 2/16/07	14.3 (.563) DBL ROW BARRIER STRIP W/O WASHER
		PRODUCT SPEC	
		APPLICATION SPEC	SIZE A2
MATERIAL	FINISH	WEIGHT	CAGE CODE 00779
			DRAWING NO C=1546310
			RESTRICTED TO
		CUSTOMER DRAWING	SCALE NTS SHEET 2 of 4 REV T5

THIS DRAWING IS UNPUBLISHED. RELEASED FOR PUBLICATION
 © COPYRIGHT - By - ALL RIGHTS RESERVED.

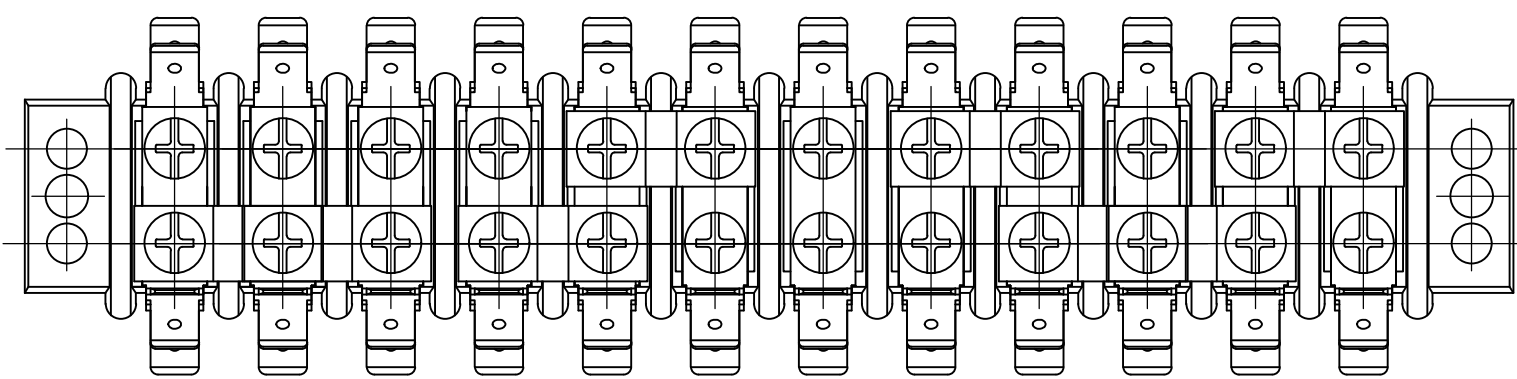
REVISIONS					
P	LTR	DESCRIPTION	DATE	DWN	APVD
-	-	SEE SHEET 1	-	-	-



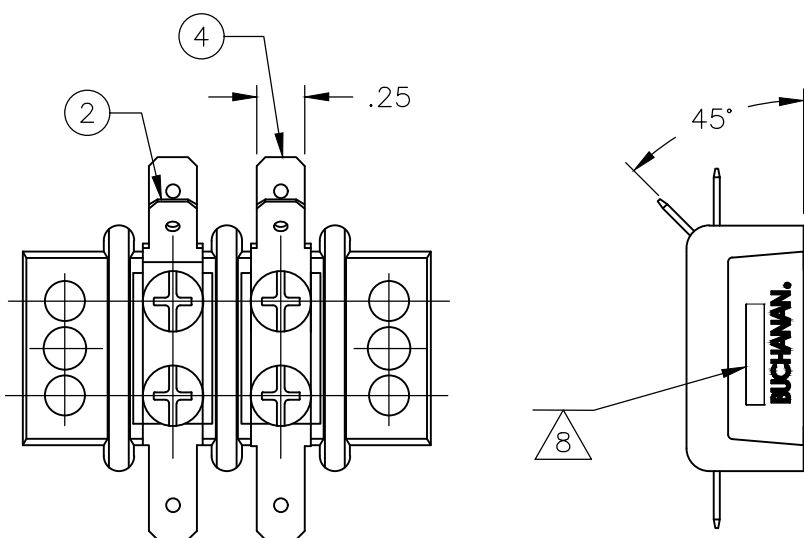
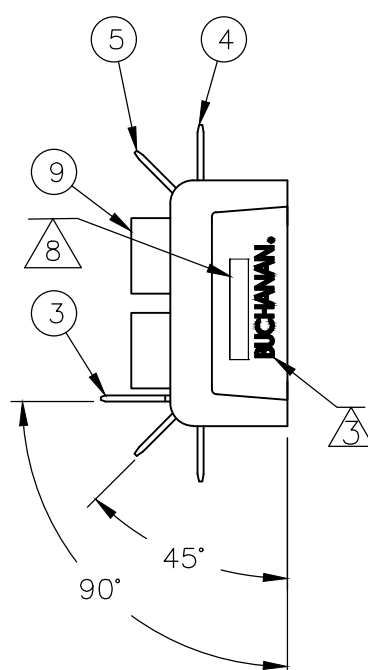
THIS DRAWING IS A CONTROLLED DOCUMENT.		DWN S SCHLEGEL 16FEB2007	 TE Connectivity Ltd.	
DIMENSIONS: INCHES		CHK S YODER 2/16/07		
TOLERANCES UNLESS OTHERWISE SPECIFIED:		APVD S YODER 2/16/07	NAME 14.3 (.563) DBL ROW BARRIER STRIP W/O WASHER	
0 PLC ± - 1 PLC ± - 2 PLC ± - 3 PLC ± - 4 PLC ± - ANGLES ± -		PRODUCT SPEC	SIZE A2	
MATERIAL		APPLICATION SPEC	CAGE CODE 00779	DRAWING NO C=1546310
FINISH		WEIGHT	RESTRICTED TO	
		CUSTOMER DRAWING	SCALE NTS	SHEET 3 OF 4
			REV T5	

THIS DRAWING IS UNPUBLISHED. RELEASED FOR PUBLICATION
 © COPYRIGHT - By - ALL RIGHTS RESERVED.


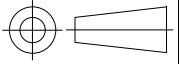
REVISIONS				
P	LTR	DESCRIPTION	DATE	APVD
-	-	SEE SHEET 1	-	-



4-1546310-7 OBSOLETE



5-1546310-1

THIS DRAWING IS A CONTROLLED DOCUMENT.		DWN 16FEB2007 S SCHLEGEL	 TE Connectivity Ltd.	
DIMENSIONS: INCHES		CHK 2/16/07 S YODER		
TOLERANCES UNLESS OTHERWISE SPECIFIED:		APVD 2/16/07 S YODER	NAME 14.3 (.563) DBL ROW BARRIER STRIP W/O WASHER	
		PRODUCT SPEC -	SIZE A2	
MATERIAL -		APPLICATION SPEC -	CAGE CODE 00779	DRAWING NO C=1546310
FINISH -		WEIGHT -	SCALE NTS	SHEET 4 OF 4
CUSTOMER DRAWING			RESTRICTED TO -	REV T5

单击下面可查看定价，库存，交付和生命周期等信息

[>>TE Connectivity\(泰科\)](#)