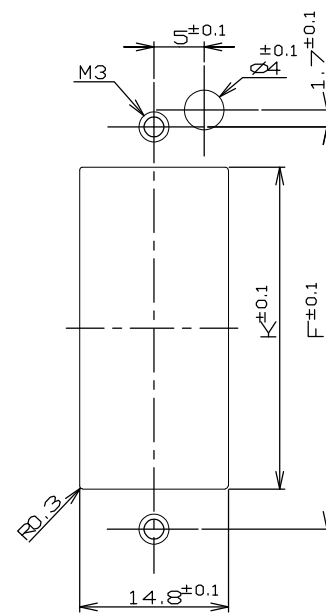
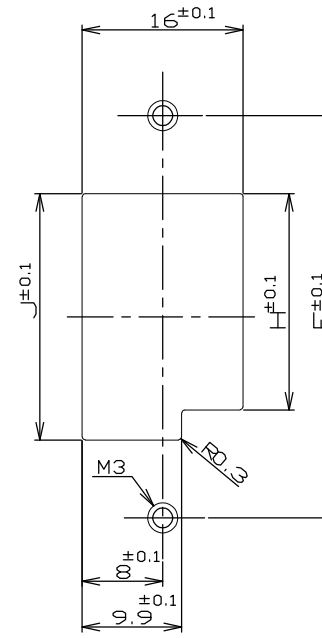
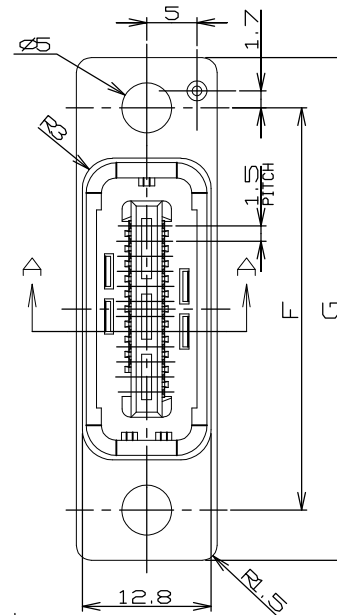
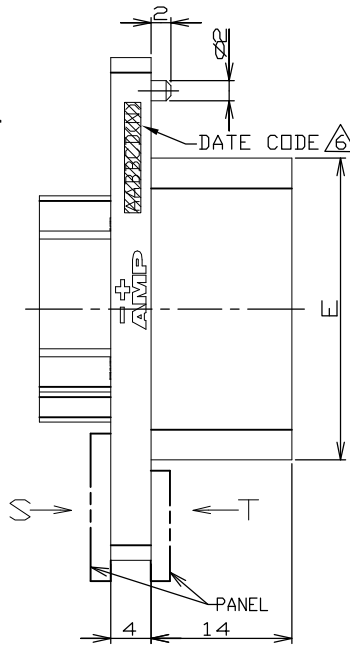
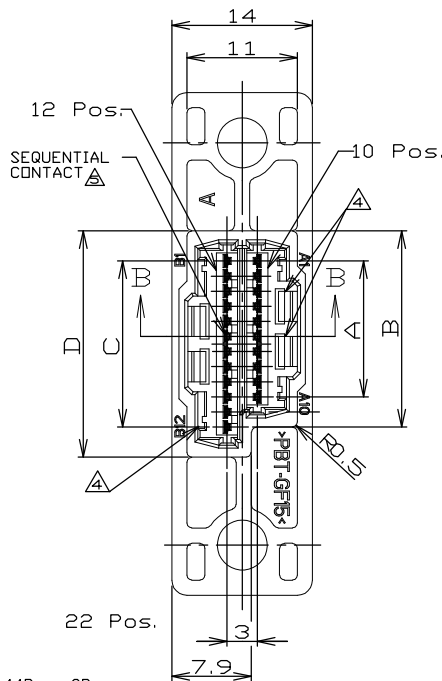
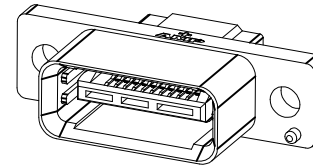
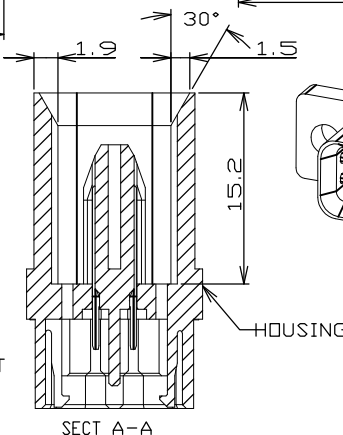
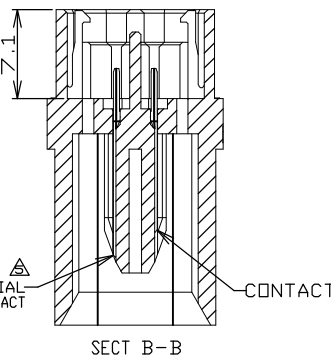
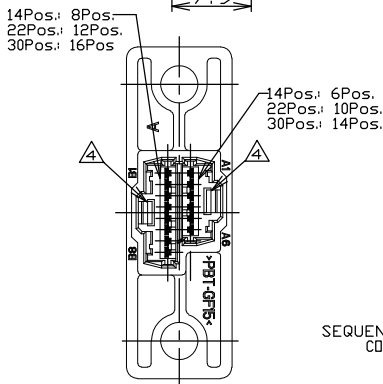


P	LTR	DESCRIPTION	DATE	DWN	APVD
	B1	REVISED ECR-07-028230	26NOV07	A.L.	S.Y.



VIEW S PANEL CUT DIMENSIONS (CONNECTOR MATING SIDE)

VIEW T



SEQUENTIAL CONT. LOCATION	WEIGHT (g)	K	J	H	G	F	E	D	C	B	A	Pos.	P/N
B8	9.9	38	30.5	27.5	56	46	36	28.5	22.5	25.5	19.5	30	3-292234-0
B6	8.4	32	24.5	21.5	50	40	30	22.5	16.5	19.5	13.5	22	2-292234-2
B4	7.0	26	18.5	15.5	44	34	24	16.5	10.5	13.5	7.5	14	1-292234-4

NOTES:  
 ① USE WITH MT REC CONN P/N: X-353293-X  
 CRIMP HSG P/N: X-353908-X  
 CRIMP CONT P/N: 353907-1  
 353918-1(L/P)

MATERIAL:  
 HOUSING: PBT G.F. UL94V-0 COLOR: BLACK  
 CONTACT: BRASS  
 FINISH:  
 CONTACT: NICKEL UNDERPLATE ALL OVER  
 CONTACT AREA: GOLD PLATE.  
 POST AREA: MATTE TIN PLATE.

LOCK: 14Pos-1LOCK/RDW, 22Pos-2LOCKS/RDW, 30Pos-3LOCKS/RDW.  
 LOCATION OF SEQUENTIAL CONTACT  
 14Pos.: CIRCUIT No.B4 IN 8Pos.ROW  
 22Pos.: CIRCUIT No.B6 IN 12Pos.ROW  
 30Pos.: CIRCUIT No.B8 IN 16Pos.ROW  
 LOCATION OF DATE CODE: AABBCD(N)  
 (A: YEAR, B: WEEK, C: DAY OF WEEK,  
 D: DAYTIME, N: NIGHT)

THIS DRAWING IS A CONTROLLED DOCUMENT FOR TYCO ELECTRONICS CORPORATION  
 IT IS SUBJECT TO CHANGE AND THE CONTROLLING ENGINEERING ORGANIZATION  
 SHOULD BE CONTACTED FOR THE LATEST REVISION.

DIMENSIONS	TOLERANCES UNLESS OTHERWISE SPECIFIED
MM	0 PLC ±0.1
	1 PLC ±0.01
	2 PLC ±0.001
	3 PLC ±0.0001
	4 PLC ANGLES -
MATERIAL	FINISH

DWN S.XU 31JAN03	Tyco Electronics Tyco Electronics Corporation Shanghai, PRC	
CHK S.YAO 31JAN03	NAME	
APVD T.SASAKI 31JAN03	PRODUCT SPEC	
108-60026	APPLICATION SPEC	
SIZE A3	CAGE CODE 00779	DRAWING NO. 292234
WEIGHT SEE TABLE	RESTRICTED TO	
CUSTOMER DRAWING	SCALE 3:2	SHEET 1 OF 1 REV B1



PLUG ASS'Y for DC TYPE  
 1.5mm PITCH MINI CT DRAWER CONNECTOR

单击下面可查看定价，库存，交付和生命周期等信息

[>>TE Connectivity\(泰科\)](#)