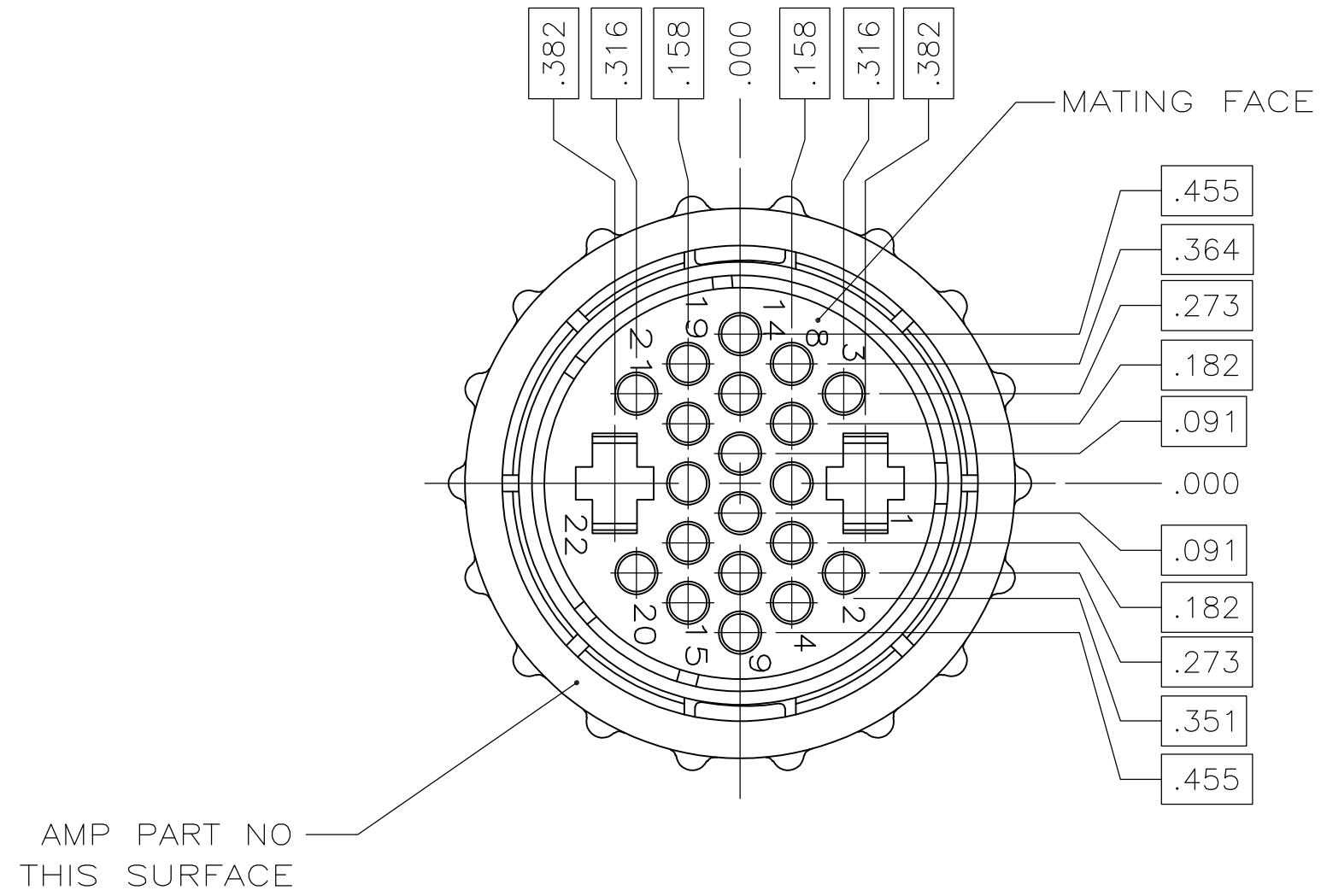
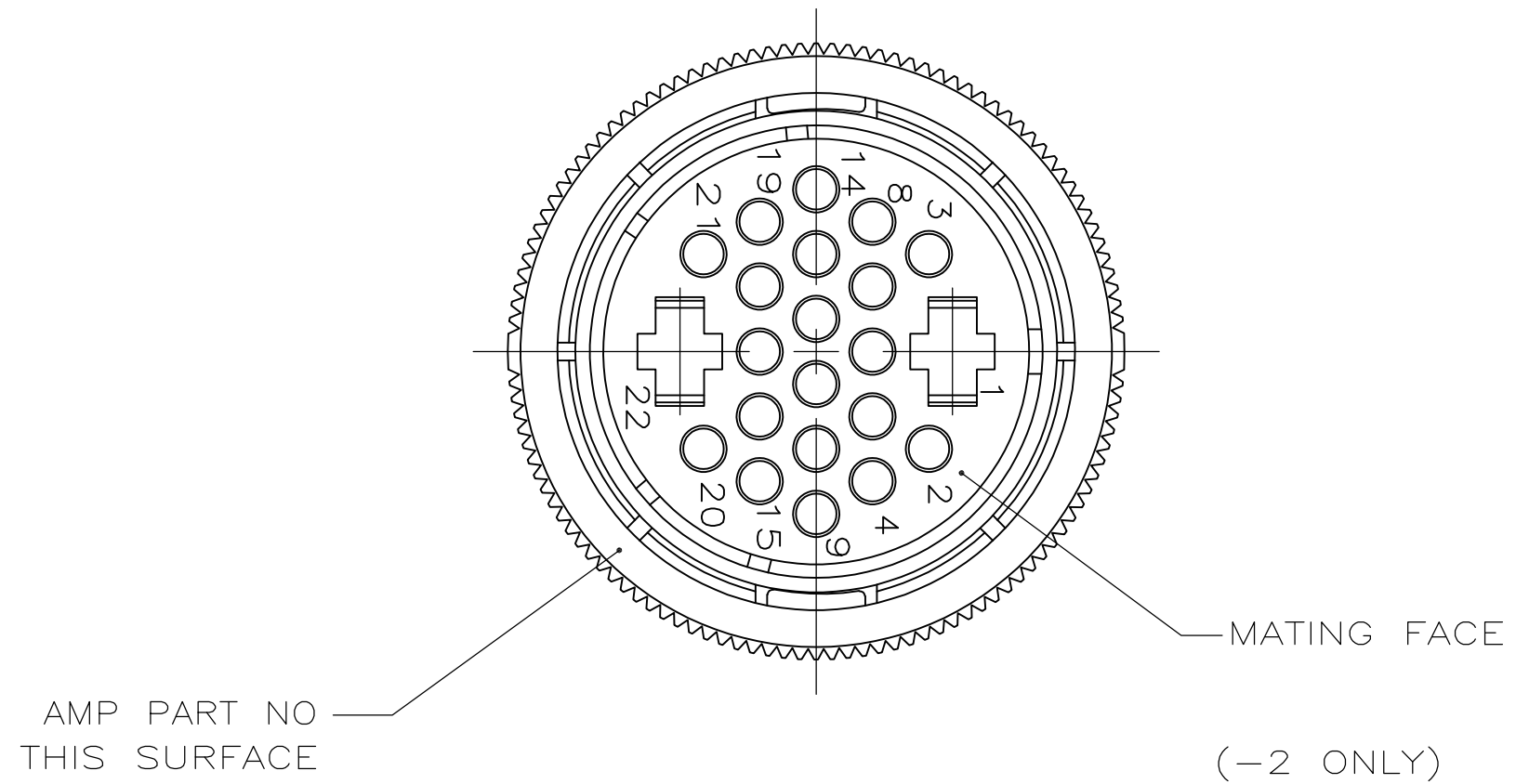


THIS DRAWING IS UNPUBLISHED. RELEASED FOR PUBLICATION
 © COPYRIGHT - By - ALL RIGHTS RESERVED.

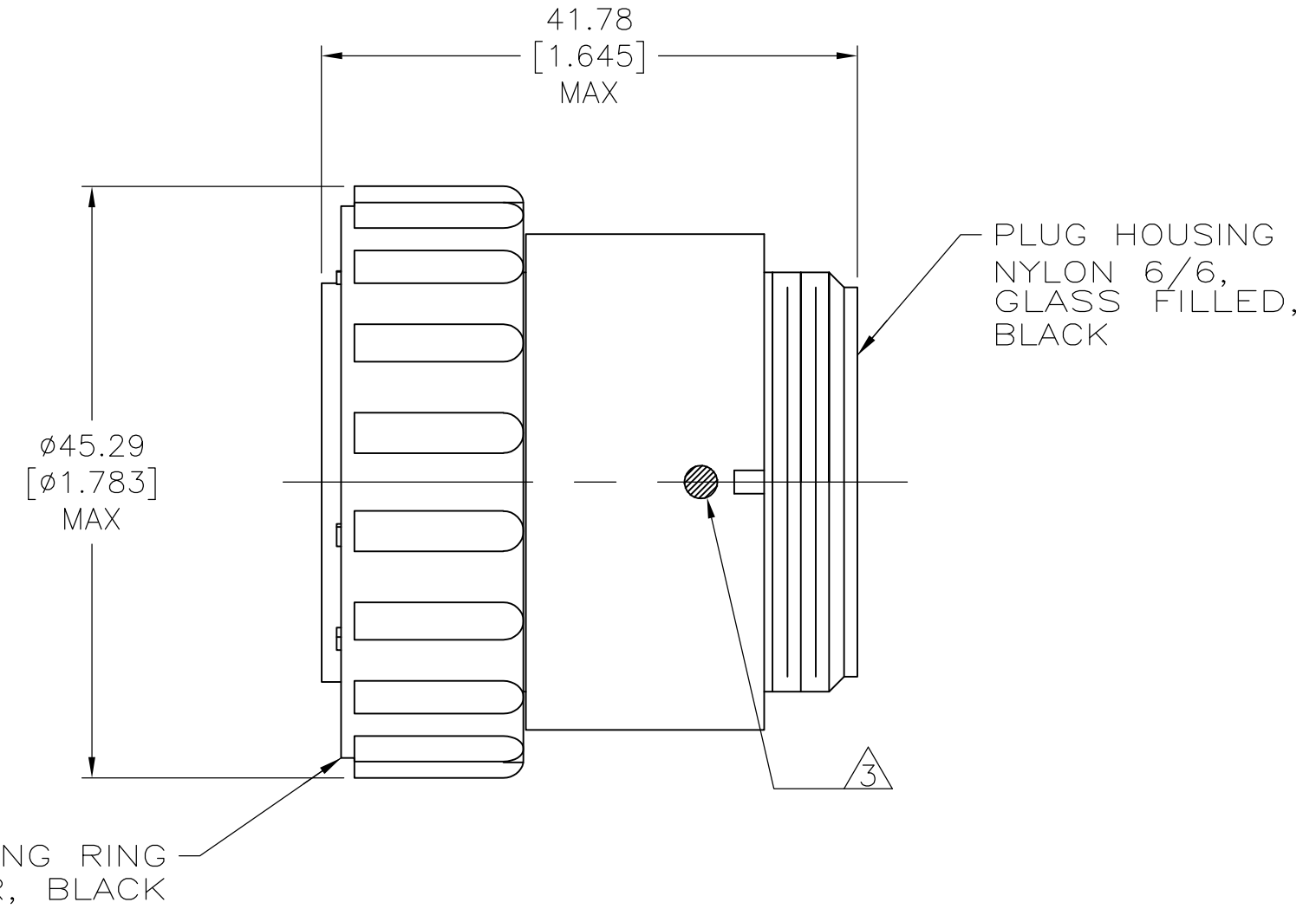
REVISIONS					
P	LTR	DESCRIPTION	DATE	DWN	APVD
G2		REVISED PER ECO-16-004800	10SEP2016	NK	MZ



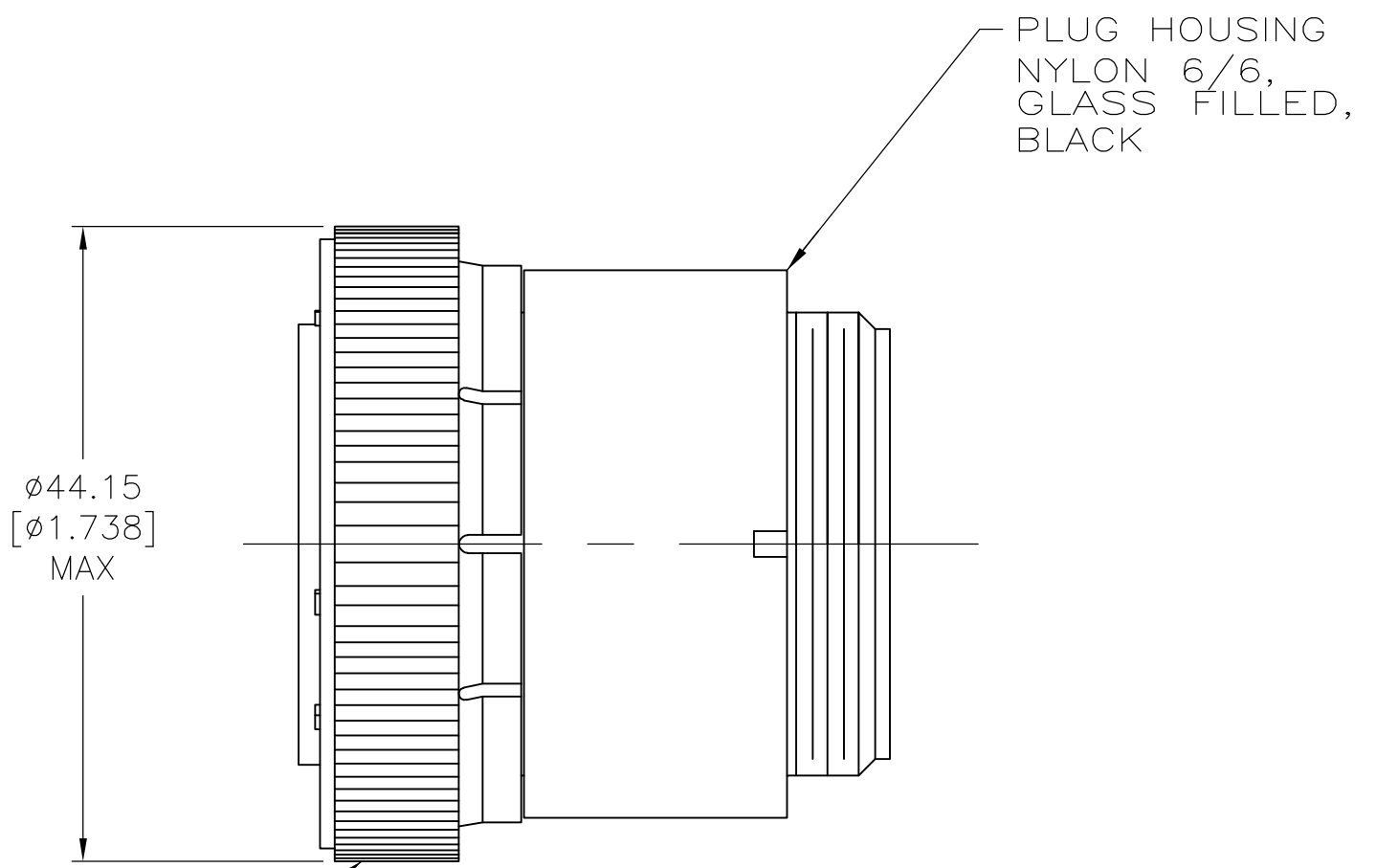
(-1 AND -3 ONLY)



(-2 ONLY)



COUPLING RING POLYPHENYLENE, BLACK



- 1 CONTACT CAVITIES IDENTIFIED BY CHARACTERS ON FRONT AND REAR FACES OF CONNECTOR.
- 2 WILL ACCEPT (20) MULTIMATE & (2) TYPE XII SOCKET CONTACTS.
- 3 WHITE DOT ONLY APPEARS ON 206612-3 ASSEMBLY.
- 4 PRELIMINARY PART NUMBER.

OBSOLETE	-206612-3-
	206612-2
	206612-1
	PART NUMBER

THIS DRAWING IS A CONTROLLED DOCUMENT.		DWN S. RIDGLEY BG 31 JUL 90	TE TE Connectivity	
DIMENSIONS: INCHES		CHK R. STONE 26 APR 91		
TOLERANCES UNLESS OTHERWISE SPECIFIED:		APVD K. BEAVER 03 APR 91	NAME	
0 PLC ± -		PRODUCT SPEC	108-10024	
1 PLC ± -		APPLICATION SPEC	-	
2 PLC ± -		WEIGHT	A2 00779 C=206612	
3 PLC ± -		CUSTOMER DRAWING	SCALE	2:1
4 PLC ± -			SHEET	1 of 1
ANGLES ± -			REV	G2
FINISH -				

单击下面可查看定价，库存，交付和生命周期等信息

[>>TE Connectivity\(泰科\)](#)