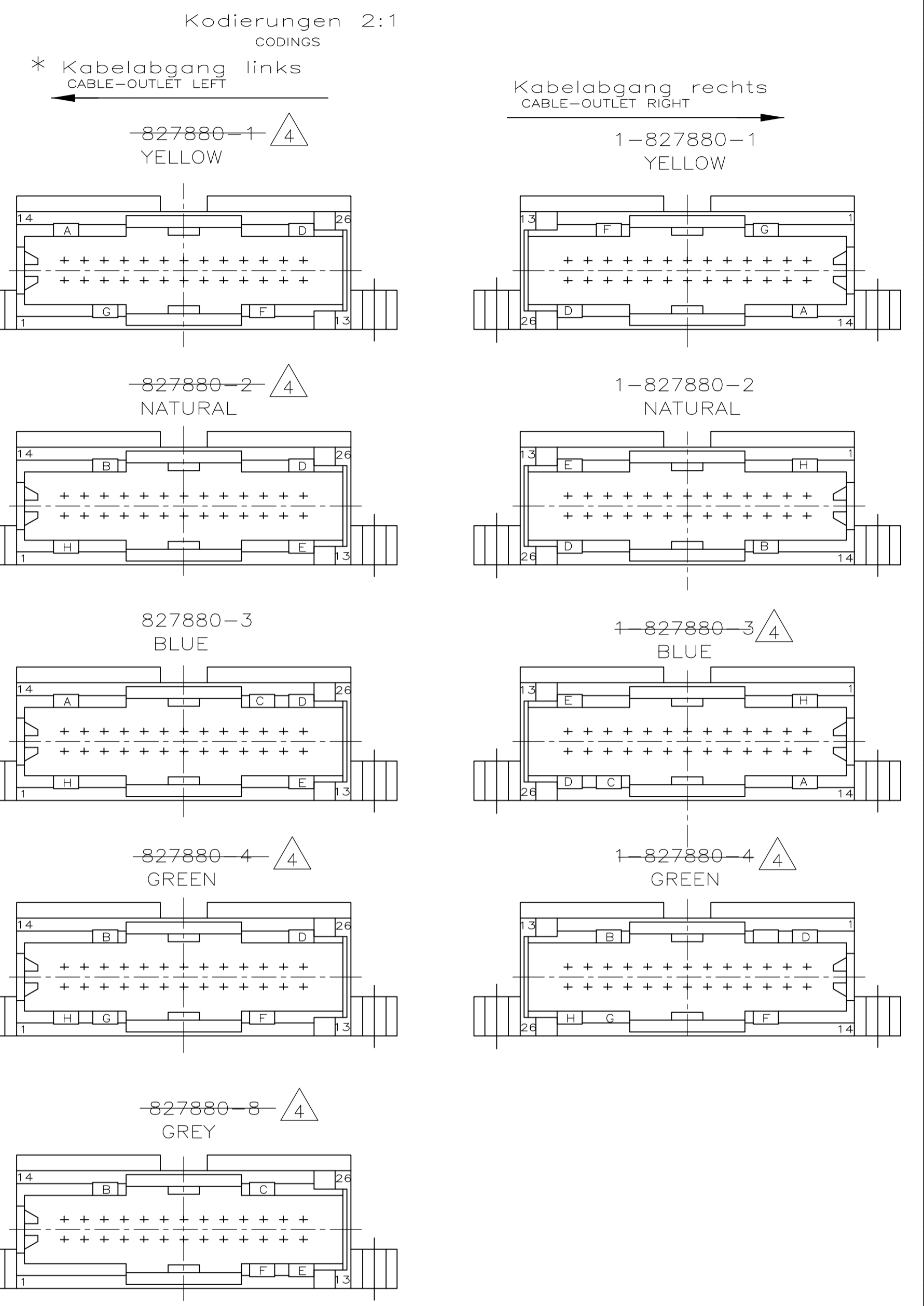
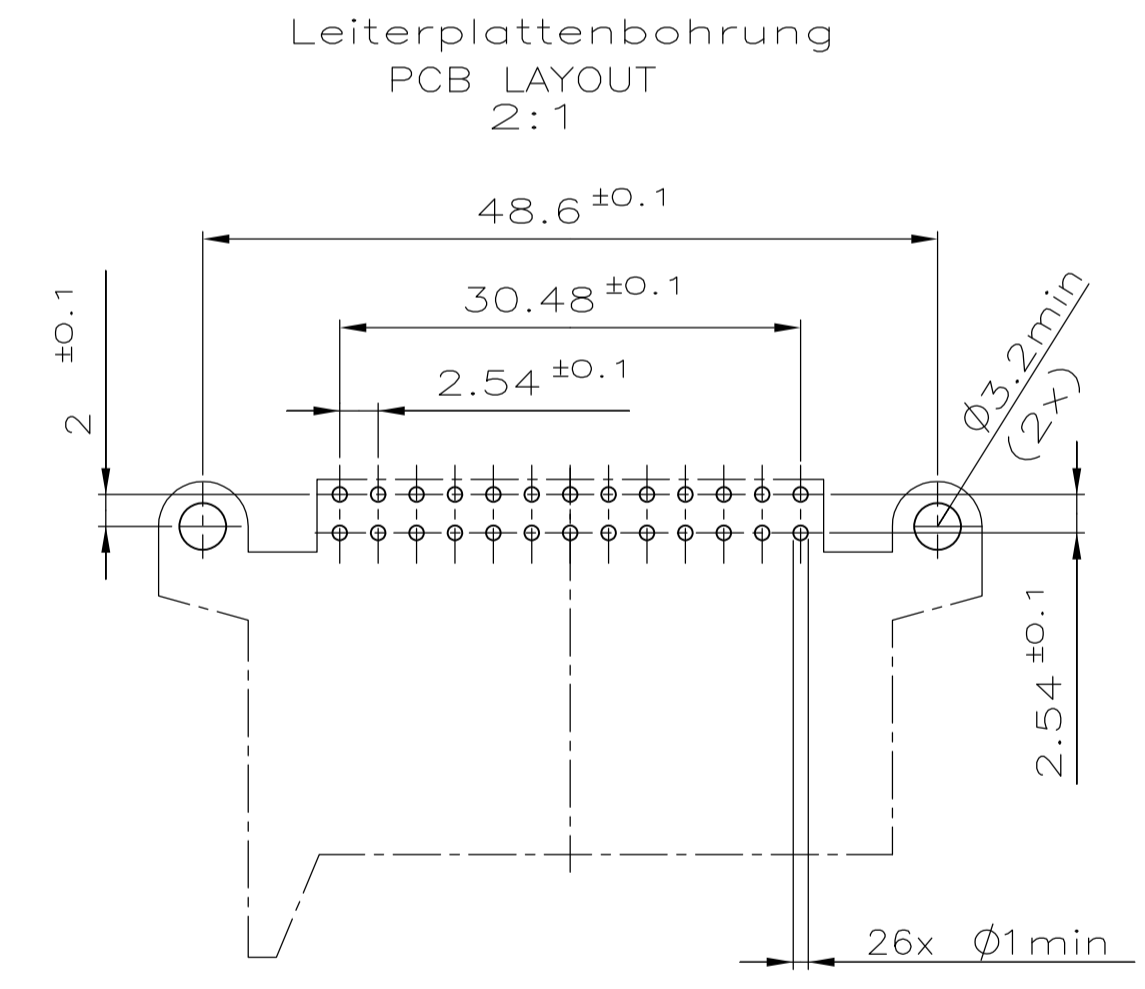
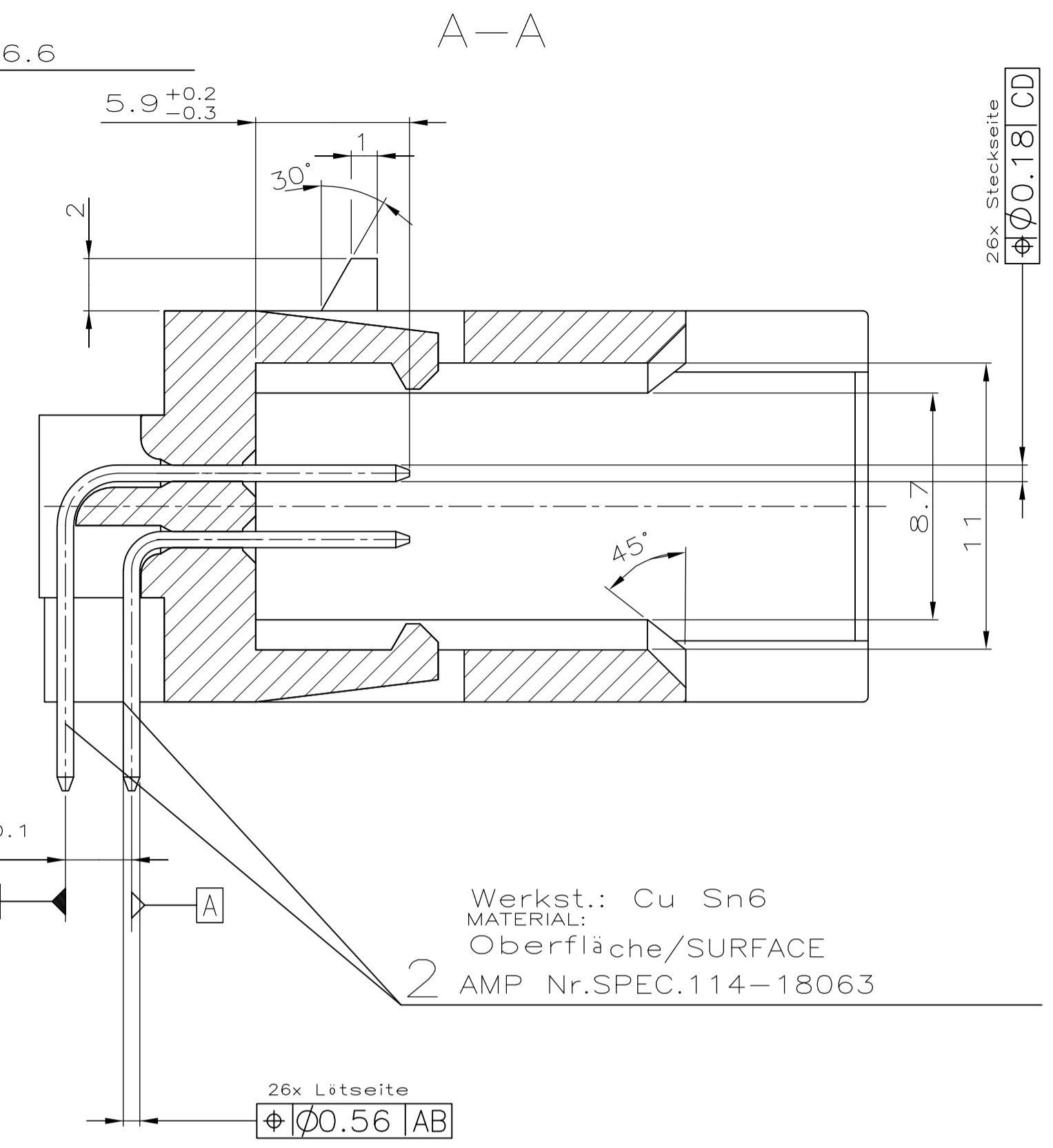
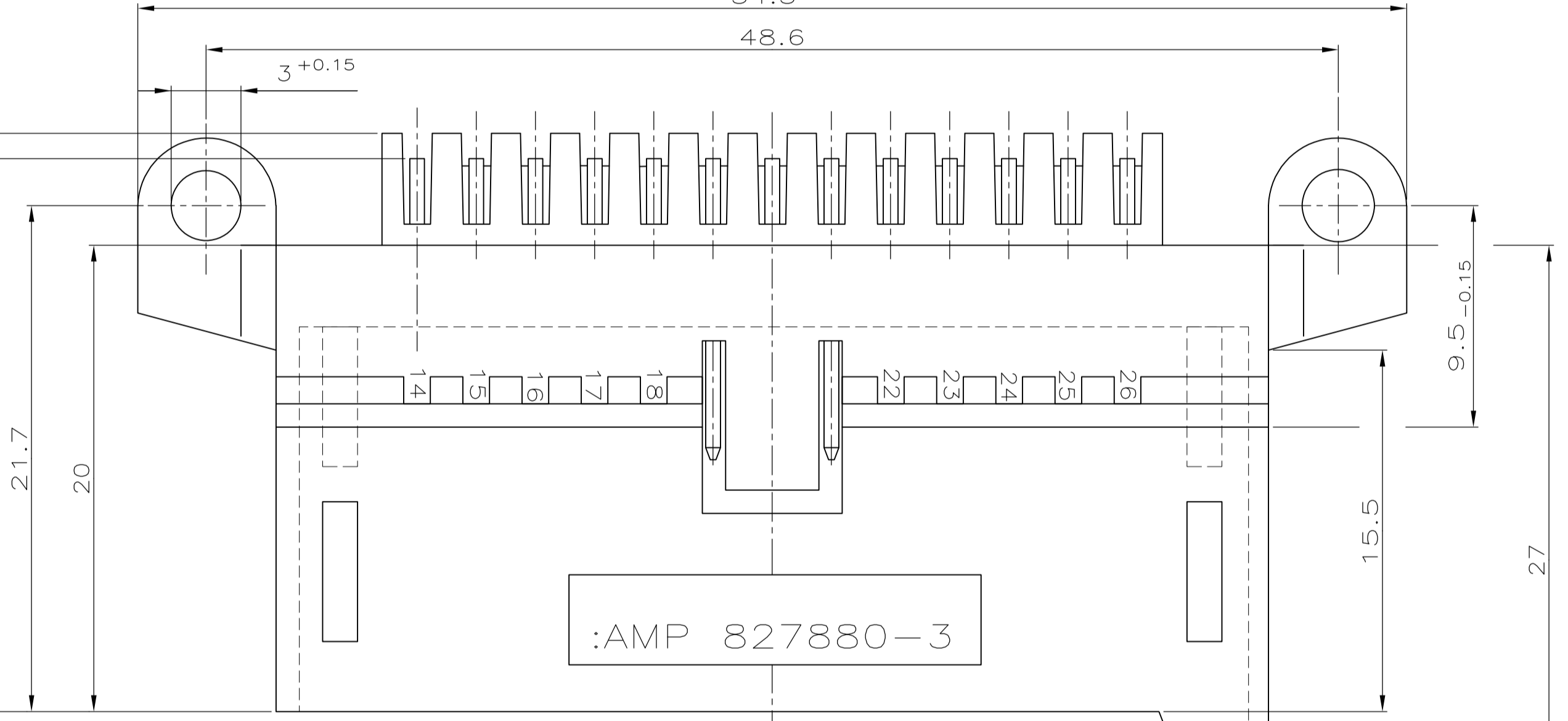
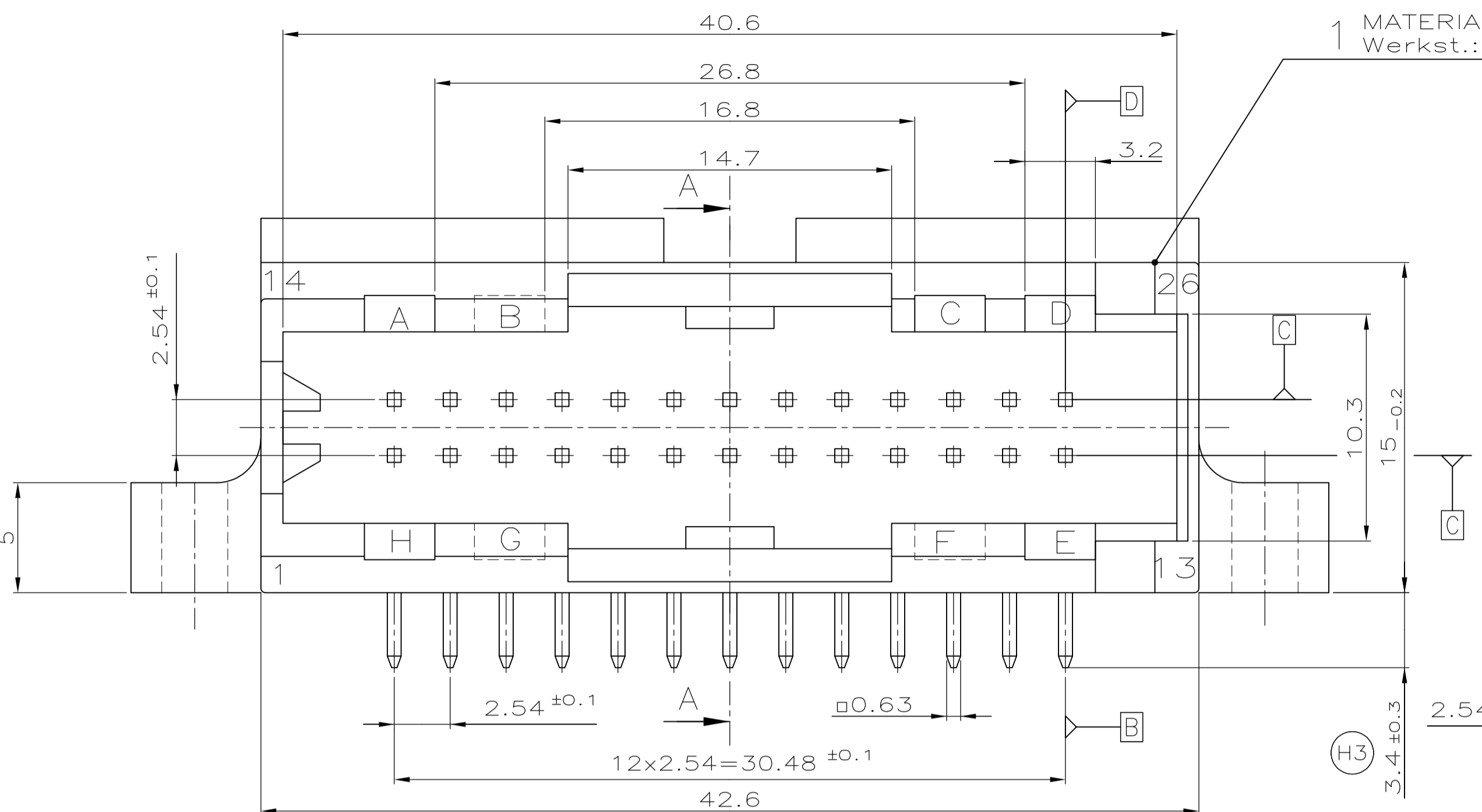


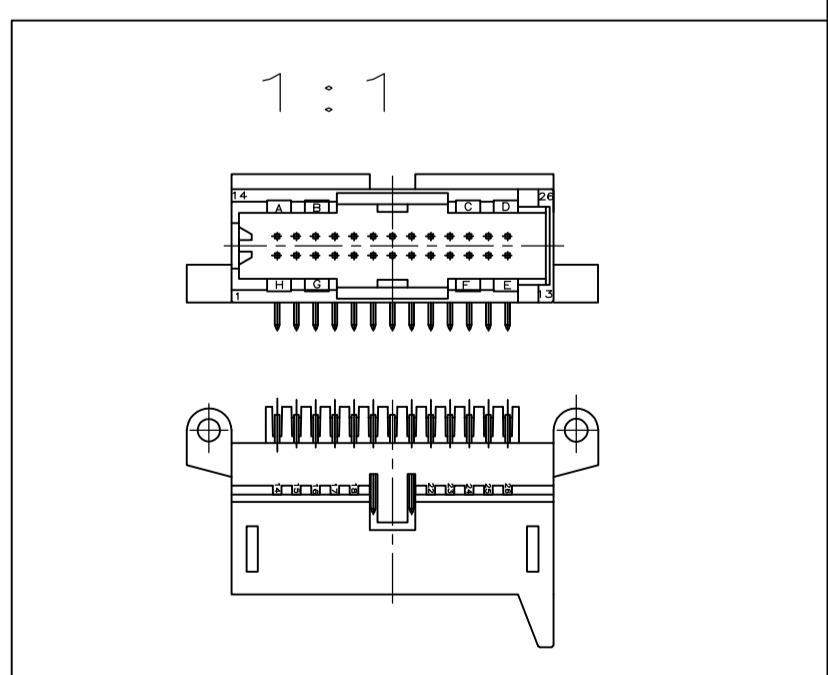
| LOC | DIST | REV. | DESCRIPTION | DATE | DN | APVD |
|-----|------|------|---|----------|-------|------|
| AI | - | H2 | EG00 3244 025.9 +0.2-0.3 war/WAS 5.7 3.1+-0.3 war/WAS 3.5 | 09.10.02 | C.BeU | TS |
| | | H3 | Moss 3.4 +/-0.3 war 3.1 +/-0.3 EG00 1729 03 | 14.05.03 | C.BeU | TS |
| | | H4 | ECR-10-025774 | 27JAN11 | KK | HMR |



| 3 | 4 | 5-827880-8 | A | B-C-E-F | - | - | - | - | - | - | - | - | - | - | - | - | - | - | - | - |
|--------------|---|------------|---|---------|--------------------------|-------------|------------|----------|---|---|---|---|---|---|---|---|---|---|---|---|
| * 1-827880-4 | H | B-D-F-G-H | 3 | 13 | Stiftkontakt/MODU II PIN | verzinnt | TIN PLATED | 926629-4 | 2 | - | - | - | - | - | - | - | - | - | - | - |
| * 1-827880-3 | H | A-C-D-E-H | 3 | 13 | Stiftkontakt/MODU II PIN | verzinnt | TIN PLATED | 926629-3 | 2 | - | - | - | - | - | - | - | - | - | - | - |
| * 1-827880-2 | H | B-D-E-H | 3 | 13 | Stiftkontakt/MODU II PIN | verzinnt | TIN PLATED | 926629-2 | 2 | - | - | - | - | - | - | - | - | - | - | - |
| * 1-827880-1 | H | A-D-F-G | 3 | 13 | Stiftkontakt/MODU II PIN | verzinnt | TIN PLATED | - | 2 | - | - | - | - | - | - | - | - | - | - | - |
| 3-827880-8 | H | B-C-E-F | 3 | 13 | Stiftkontakt/MODU II PIN | verzinnt | TIN PLATED | - | 2 | - | - | - | - | - | - | - | - | - | - | - |
| 3-827880-4 | H | B-D-F-G-H | 3 | 13 | Stiftkontakt/MODU II PIN | verzinnt | TIN PLATED | - | 2 | - | - | - | - | - | - | - | - | - | - | - |
| 3-827880-3 | H | A-C-D-E-H | 3 | 13 | Stiftkontakt/MODU II PIN | verzinnt | TIN PLATED | - | 2 | - | - | - | - | - | - | - | - | - | - | - |
| 3-827880-2 | H | B-D-E-H | 3 | 13 | Stiftkontakt/MODU II PIN | verzinnt | TIN PLATED | - | 2 | - | - | - | - | - | - | - | - | - | - | - |
| 3-827880-1 | G | A-D-F-G | 3 | 13 | Stiftkontakt/MODU II PIN | verzinnt | TIN PLATED | - | 2 | - | - | - | - | - | - | - | - | - | - | - |
| 3-827880-1 | G | A-D-F-G | 1 | 1 | Stiftwanne/PIN HEADER | gelb/YELLOW | - | - | 2 | - | - | - | - | - | - | - | - | - | - | - |

Bemerkungen: NOTES:

- Nur der deutsche Text ist bindend. ONLY THE GERMAN-LANGUAGE VERSION SHALL BE BINDING.
- Die mit * gekennzeichneten Stiftwannen entsprechen der in der Zeichnung dargestellten Stiftwanne jedoch Kodierung, Kabelabgang, Stiftpositionsnummer um 180° gedreht. WITH * MARKED PIN HEADERS AGREE WITH PIN HEADER AT DRAWING BUT CODINGS, CABLE DIRECTION AND PIN POSITION NO. ARE TURNED AROUND 180°.
- 3 gezeichnet AS SHOWN.
- 3 Verpackung in Produktträger 9-740985-1 in Hella-E1-Behälter. PACKAGING IN TRAY 9-740985-1 IN HELLA-E1-BOX.
- 4 OBSOLETE.



单击下面可查看定价，库存，交付和生命周期等信息

[>>TE Connectivity\(泰科\)](#)