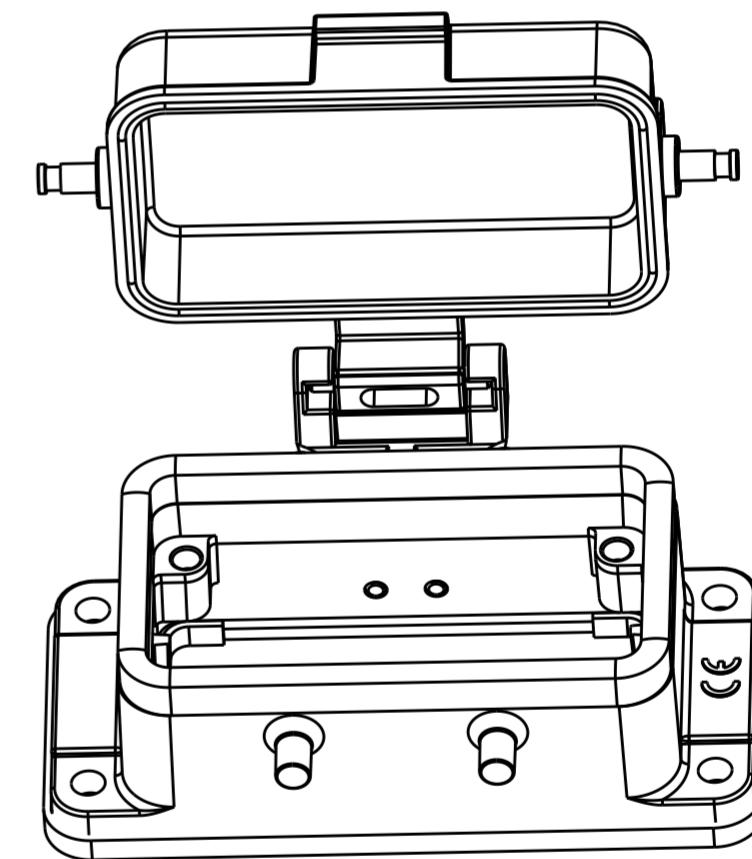
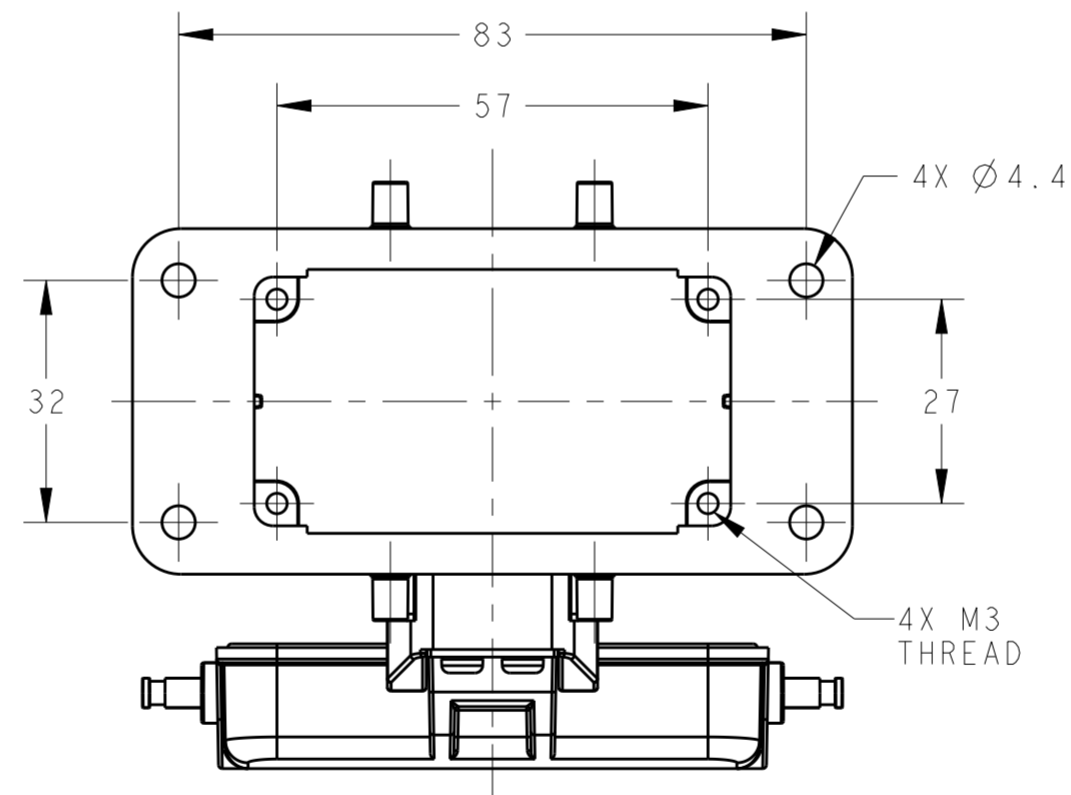
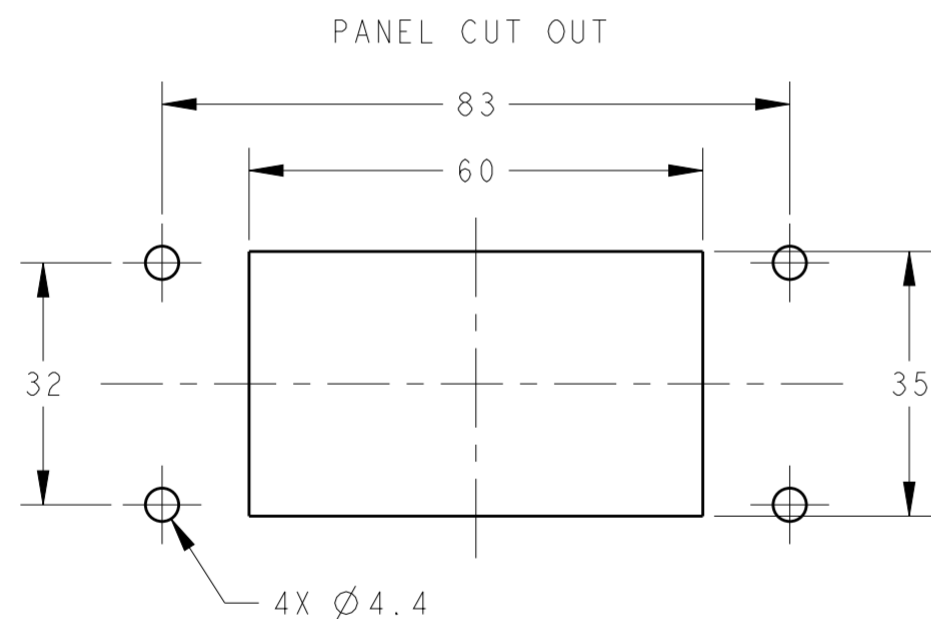
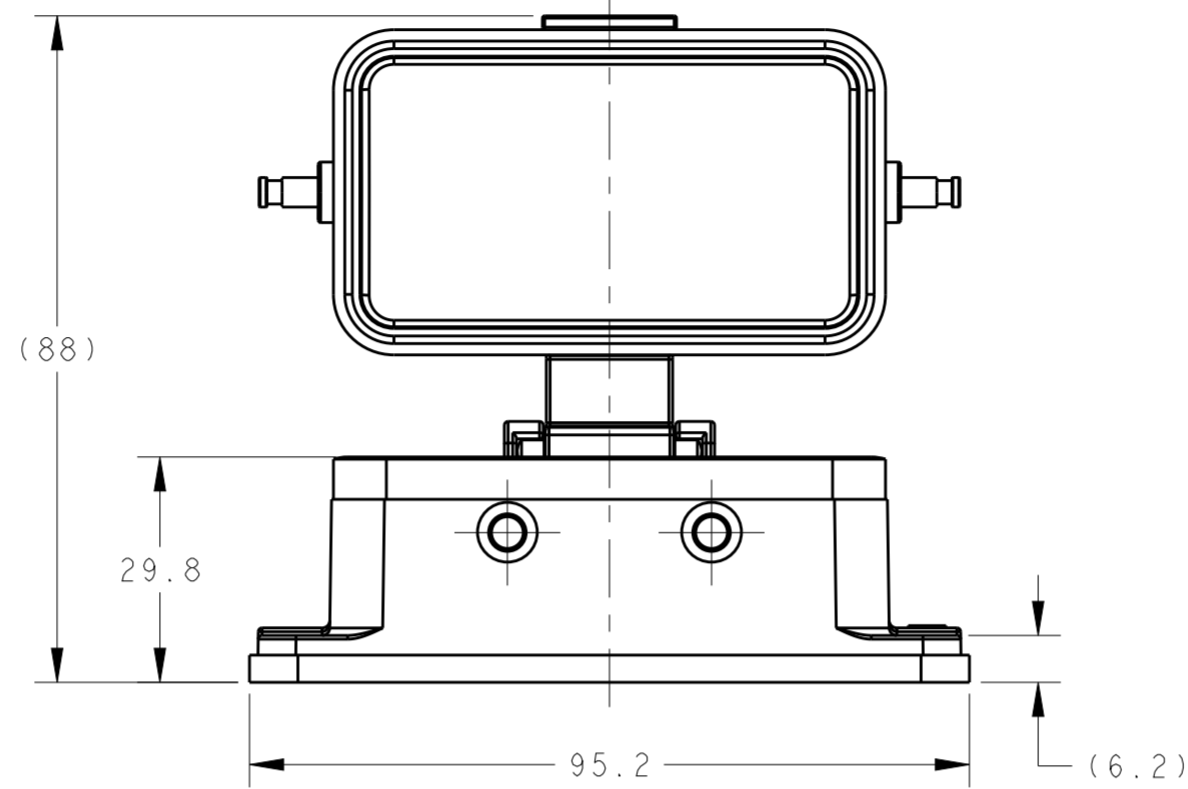
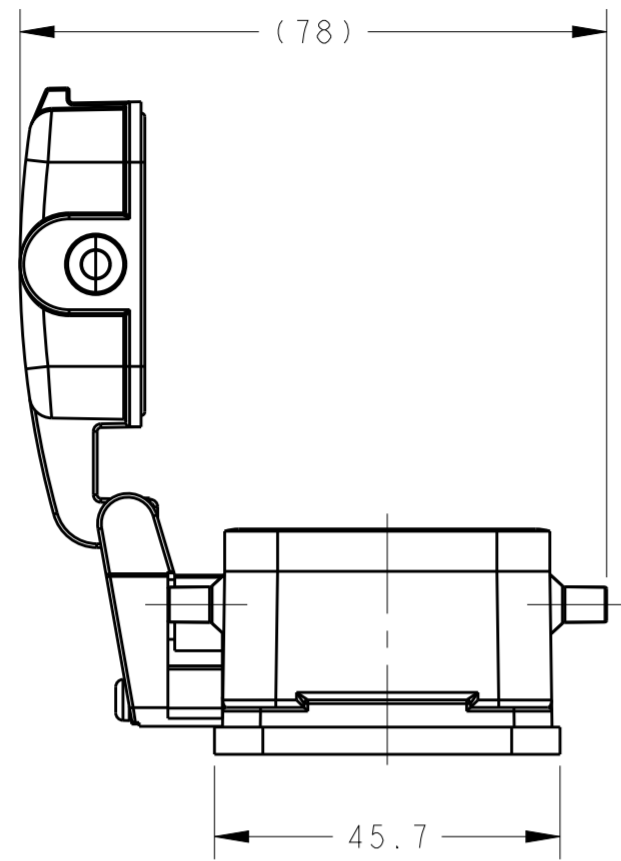


THIS DRAWING IS UNPUBLISHED. RELEASED FOR PUBLICATION 20  
 © COPYRIGHT 20 BY - ALL RIGHTS RESERVED.

REVISIONS					
P	LTR	DESCRIPTION	DATE	DWN	APVD
A		INITIAL	18JUN2015	DW	CW
B		ECR-20-008181	06JUL2020	WOR	CW



NOTES:  
 1. TECHNICAL CHARACTERISTICS:  
 HOUSING MATERIAL: DIE CAST ALUMINIUM ALLOY  
 SURFACE: POWDER COATED, GREY  
 DEGREE OF PROTECTION: IP65 (MATED)

注释:  
 1. 技术参数:  
 下壳材料: 铝合金  
 表面处理: 粉末涂层, 灰色  
 防护等级: IP65(配合)

T1430101000-000	H10B-ADM-BO	H10B HOUSING, BULKHEAD MOUNTED, 4 EAR, METAL PROTECTION COVER, POWDER COATED, GREY H10B下壳, 开孔安装, 4耳, 带金属保护盖, 灰色粉末喷涂
PART NUMBER 料号	PART DESCRIPTION 描述	

THIS DRAWING IS A CONTROLLED DOCUMENT.		DWN 05JUN2015 David Wang	TE Connectivity	
DIMENSIONS: mm		CHK 05JUN2015 Chris Wang		
TOLERANCES UNLESS OTHERWISE SPECIFIED:		APVD 05JUN2015 Xiang Xu	NAME H10B-ADM-BO	
0 PLC ±		PRODUCT SPEC	SIZE CAGE CODE DRAWING NO RESTRICTED TO	
1 PLC ±		108-137013	A200779 C-T1430101000000	
2 PLC ±		APPLICATION SPEC	SCALE SHEET OF REV	
3 PLC ±		114-137013	1:1 1 1 B	
4 PLC ±		WEIGHT		
ANGLES ±		Customer Drawing		
FINISH				

单击下面可查看定价，库存，交付和生命周期等信息

[>>TE Connectivity\(泰科\)](#)