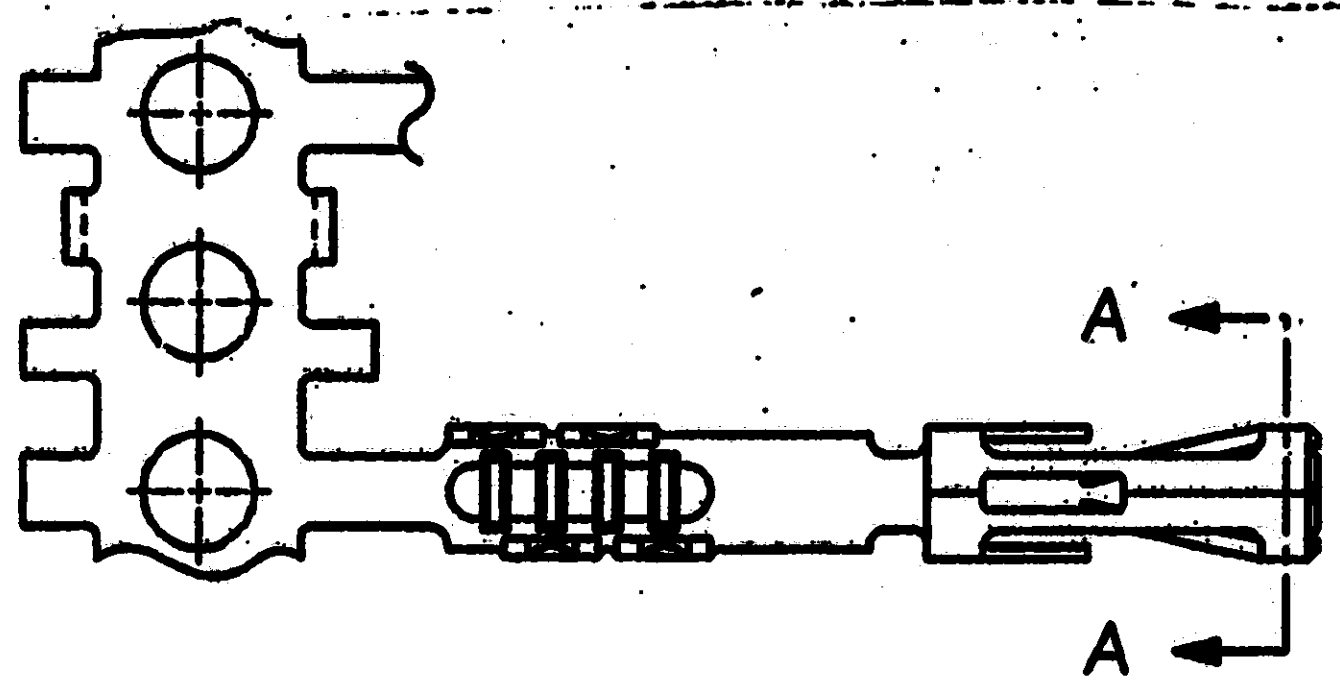
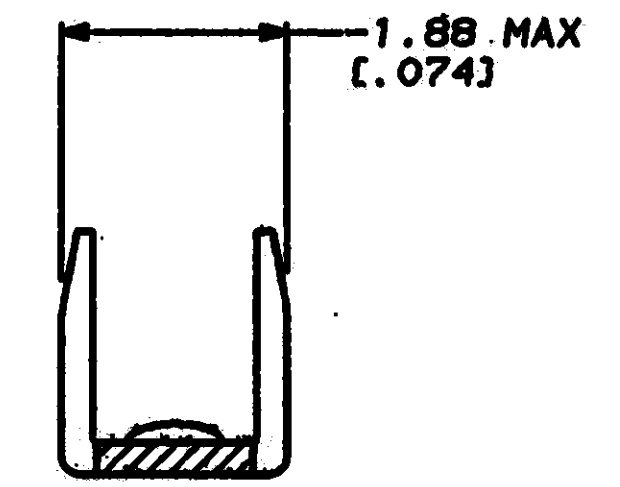
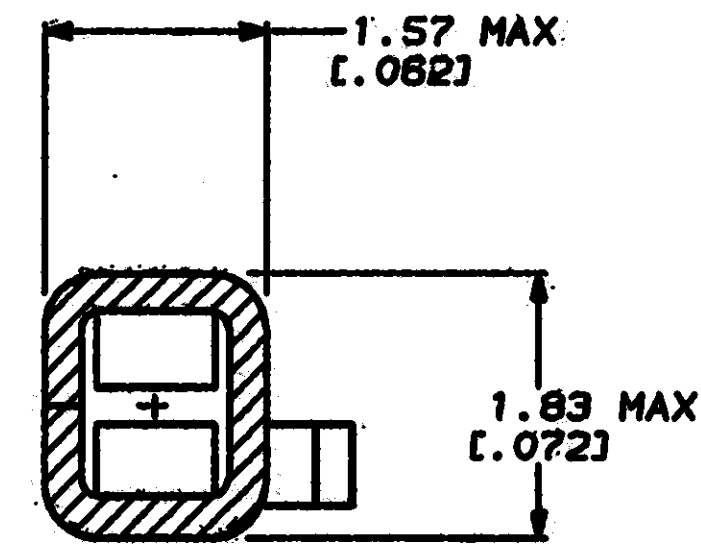
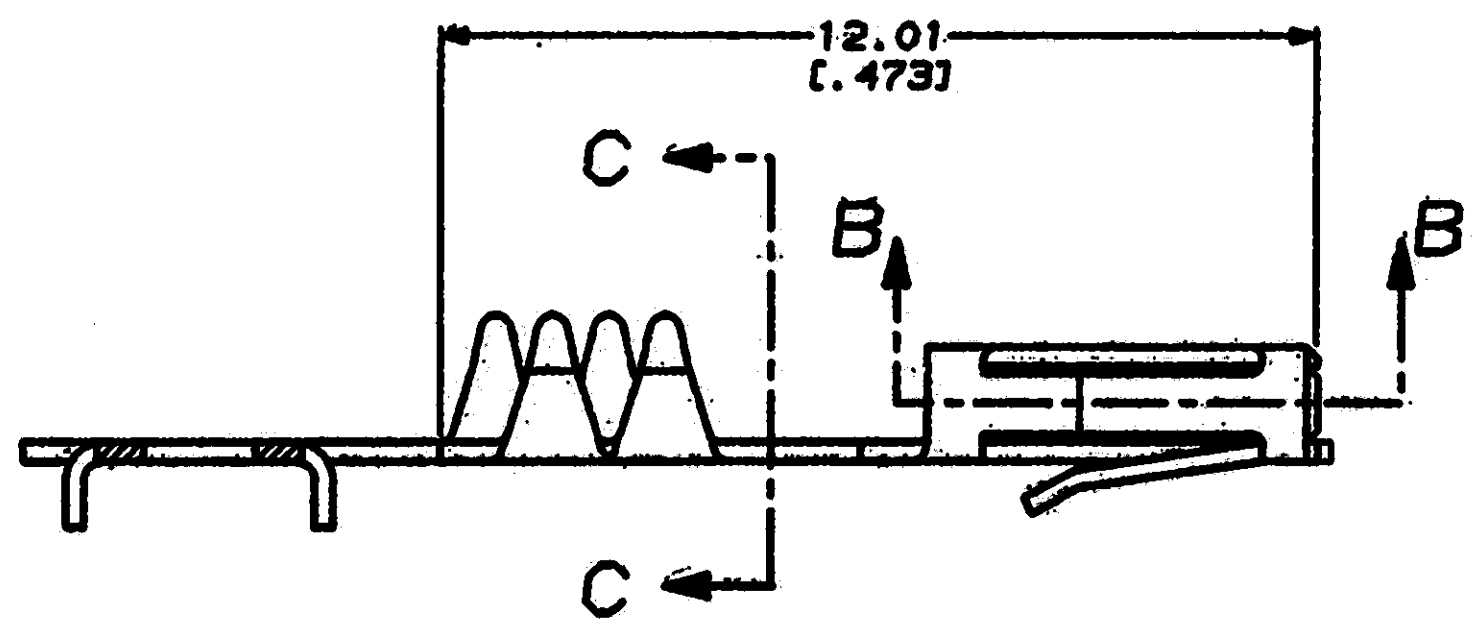


REVISED		DATE		DESCRIPTION		DATE	APPD
AR	39			0	RLSE PER NPR 4098 WAS 4021-5175		

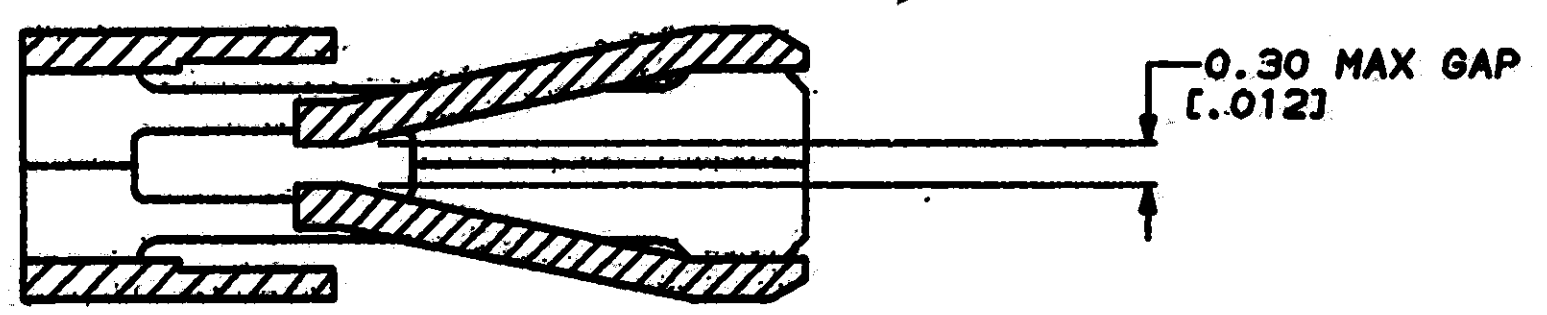


- 1. $2.54\mu\text{m}$ (.000100) MIN TIN-LEAD OVER $1.27\mu\text{m}$ (.000050) MIN NICKEL ON ENTIRE CONTACT.
- 2. MATING POST (.025±.001 SQUARE) LENGTH ACCEPTED:
 SINGLE ROW HOUSINGS 5.59-8.20 (.220-.323)
 DOUBLE ROW HOUSINGS 5.97-8.20 (.235-.323)



SECTION A-A
SCALE 20:1

SECTION C-C
SCALE 20:1



SECTION B-B
SCALE 20:1

DO NOT SCALE PRINT. UNLESS SPECIFIED DIMENSIONS IN mm (INCHES) TOLERANCES ON: 2 PLC DEC ± 0.13 (.005) 3 PLC DEC * - ANGLES * -		DR 04/08/82 C. OBERMAN		487955-2 PART NO	
MATERIAL .010 THICK PHOSPHOR BRONZE		CHK 4-7-82 R. STONE		AMP AMP Incorporated Harrisburg, PA 17105-3808	
FINISH △		APPD 4-7-82 D. MILLER		NAME CONTACT, RECEPTACLE, STANDARD PRESSURE, .100¢, FFC	
WEIGHT -		APPD 4-7-82 D. HOFFMAN PRODUCT SPEC 108-9024		DRAWING NO. 487955	
		APPLICATION SPEC 114-16015		CASE CODE 00779	
		SCALE 10:1		SHEET 1 OF 1	

单击下面可查看定价，库存，交付和生命周期等信息

[>>TE Connectivity\(泰科\)](#)