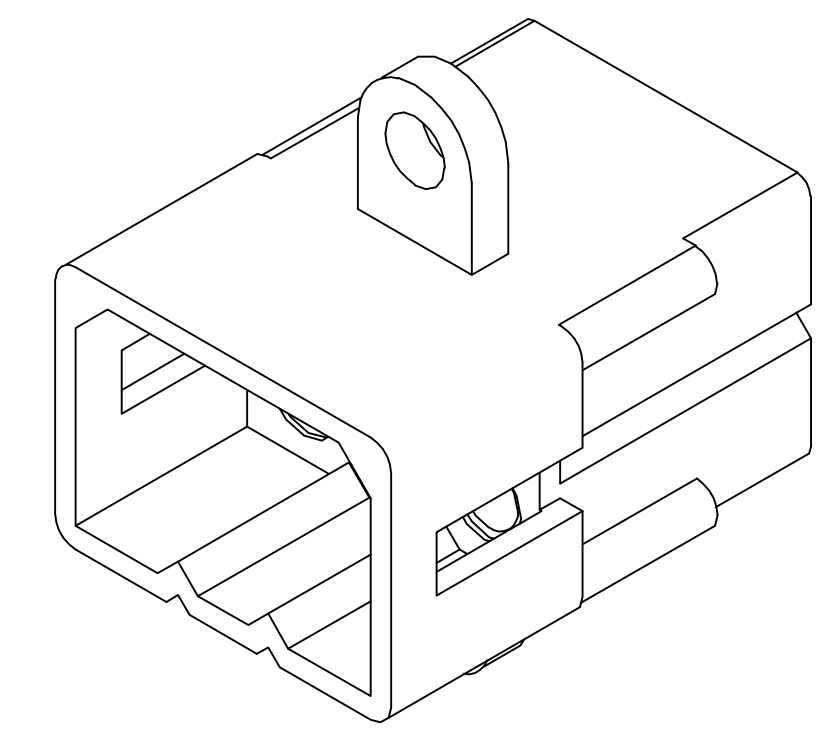
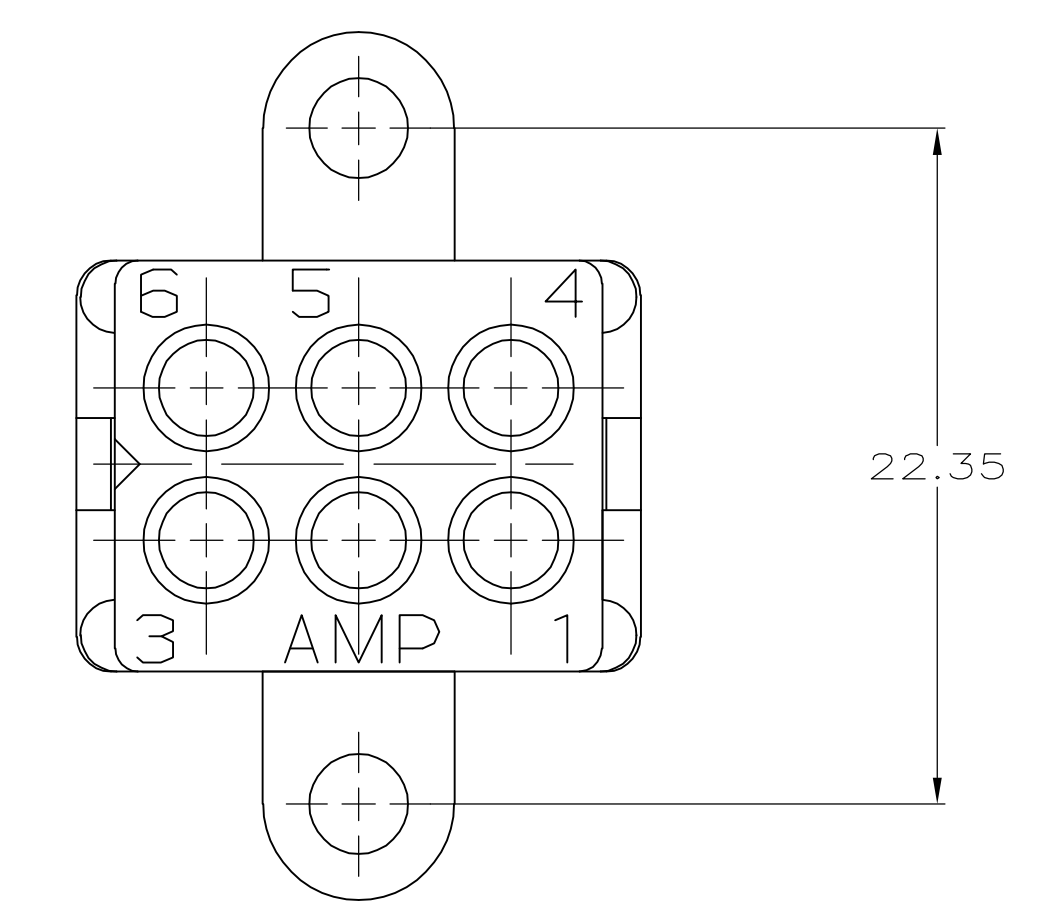
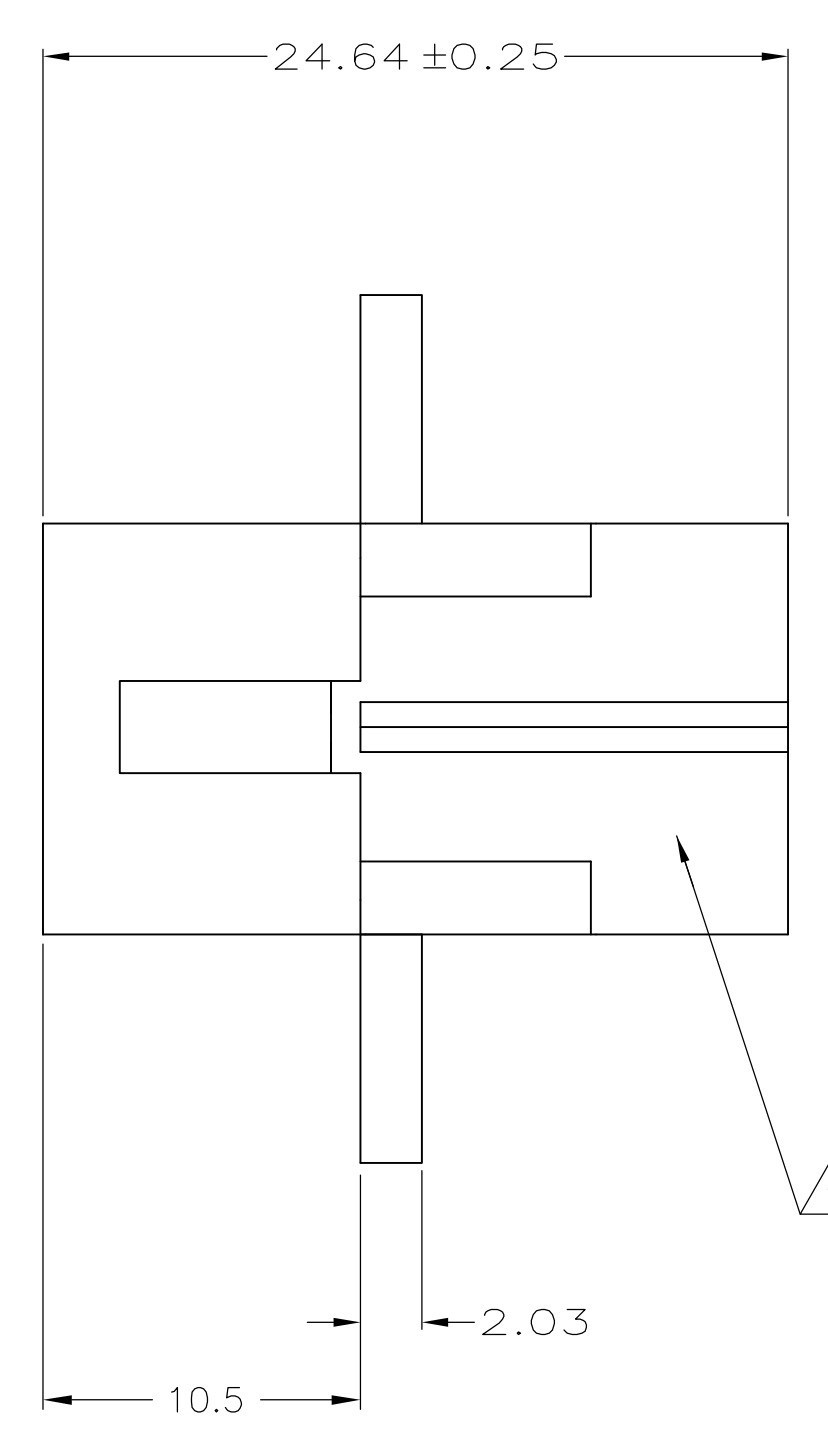
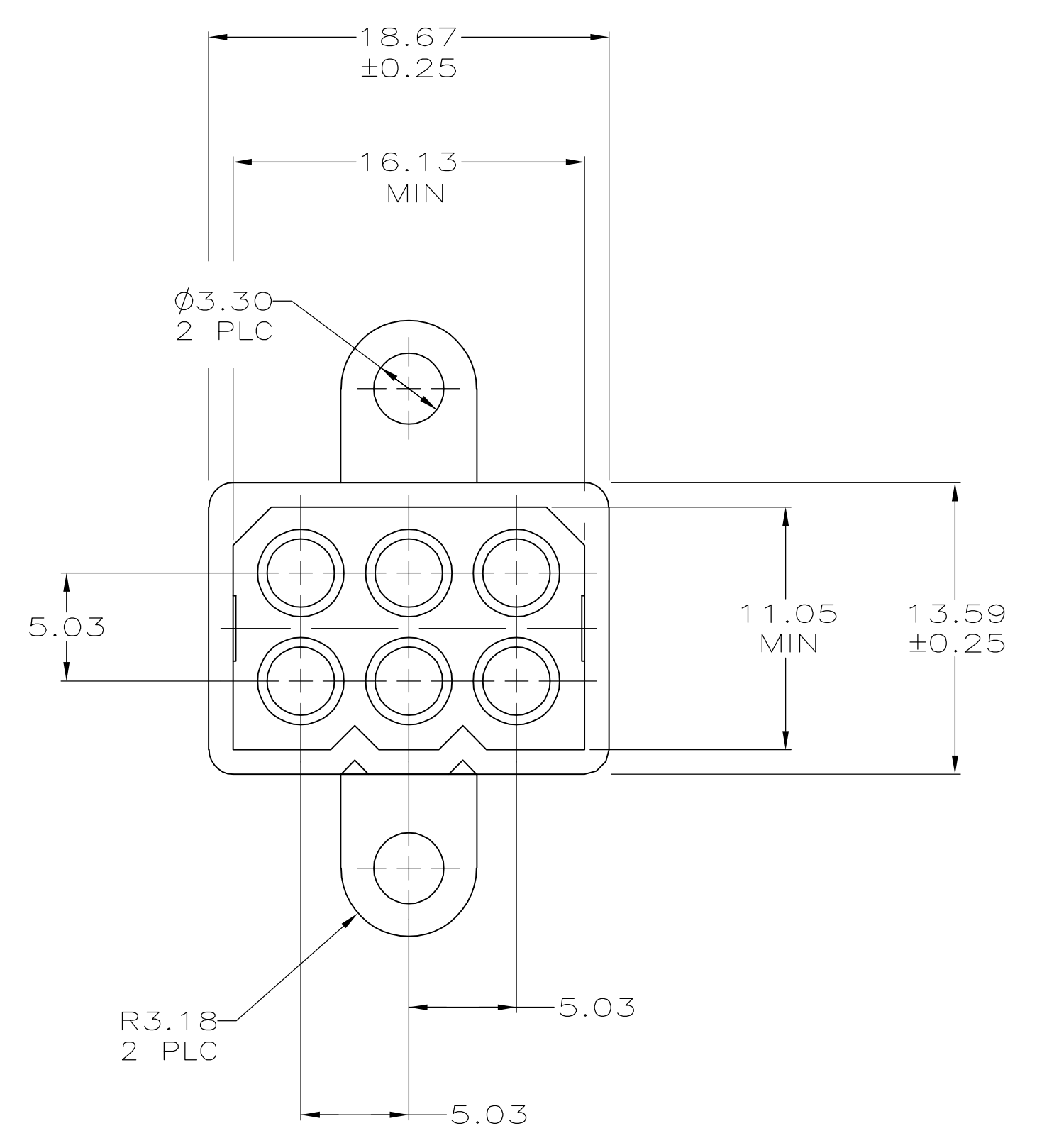


△ MARKING FOR UL LOGO AND CSA LOGO LOCATED APPROXIMATELY AS SHOWN.



3-DIMENSIONAL MODEL  
NTS

5.03	.198	24.64	.970
3.30	.130	22.35	.880
3.18	.125	18.67	.735
2.36	.093	16.13	.635
2.03	.080	13.59	.535
0.25	.010	11.94	.470
0.13	.005	11.05	.435
MM	IN	MM	IN

CONVERSION TABLE

794402-1  
PART NUMBER

METRIC

THIS DRAWING IS A CONTROLLED DOCUMENT.		DWN K. WHITAKER 6-20-97		Tyco Electronics Corporation Harrisburg, PA 17105-3608	
DIMENSIONS: mm		CHK R. SWING 6-20-97		NAME PLUG, 6 CIRCUIT, .093 COMMERCIAL PIN AND SOCKET	
TOLERANCES UNLESS OTHERWISE SPECIFIED:		APVD C. CASH 6-20-97	PRODUCT SPEC		
0 PLC ± -		APPLICATION SPEC			
1 PLC ± -		SIZE A1			
2 PLC ± 0.13		CAGE CODE 00779			
3 PLC ± -		DRAWING NO 794402			
4 PLC ± -		RESTRICTED TO			
ANGLES ± 0° 30'		WEIGHT			
MATERIAL NYLON,		CUSTOMER DRAWING			
FINISH		SCALE 4:1 SHEET 1 OF 1 REV A			

单击下面可查看定价，库存，交付和生命周期等信息

[>>TE Connectivity\(泰科\)](#)