

4

3

2

1

THIS DRAWING IS UNPUBLISHED. RELEASED FOR PUBLICATION 20
 © COPYRIGHT 20 BY - ALL RIGHTS RESERVED.

REVISONS		DATE	DWN	APVD
P	LTR	DESCRIPTION		
A7		REVISED PER ECR-18-019587	14DEC2018	JS DD
B		REVISED PER ECR-21-109451	17AUG2021	JL MM

NOTES:

1 MATERIALS:
 HOUSING: PBT
 DIMMING CONTACTS (QTY. 4): COPPER ALLOY
 LINE VOLTAGE CONTACTS (QTY. 3): COPPER ALLOY
 GASKET: VINYL/NITRILE FOAM
 O-RING: SILICONE RUBBER

2 FINISH:
 DIMMING CONTACTS: NICKEL UNDERPLATE ENTIRE
 CONTACT 0.127 μm MIN THICK. SELECTIVE GOLD PLATE CONTACT
 MATING AREA (MATING FACE SIDE ONLY) 0.76 μm MIN THICK.
 MATTE TIN PLATE TAB ON BOTH SIDES 0.30 μm MIN THICK.
 LINE VOLTAGE CONTACTS: MATTE TIN PLATE

3 MATING INTERFACE PER ANSI C136.41-2013.

4 ADHESIVE BACKED GASKET SUPPLIED BUT NOT INSTALLED

5 MATING CAP TE P/N: 2213748-X

Ø54.4
GASKET ID

YEAR
15 16 17 18
19 20 21 22
23 24 25

LINE

NEUT

LOAD

MONTH
1 2 3 4
5 6 7 8
9 10 11 12

3.6 MOUNTING
GASKETCAP LATCH
UNDERCUTS, 6X2.15
6X

1-2213730-1 SHOWN

2213730-1 SHOWN

Ø77.00	Ø73.00	Ø66.00	Ø69.00	Ø72.00	Ø76.00	1-2213730-1
Ø77.00	Ø73.00	Ø66.00	Ø69.00	Ø72.00	Ø76.00	2213730-1
DIM Y	DIM X	DIM N	DIM M	DIM F	DIM E	PART NO.

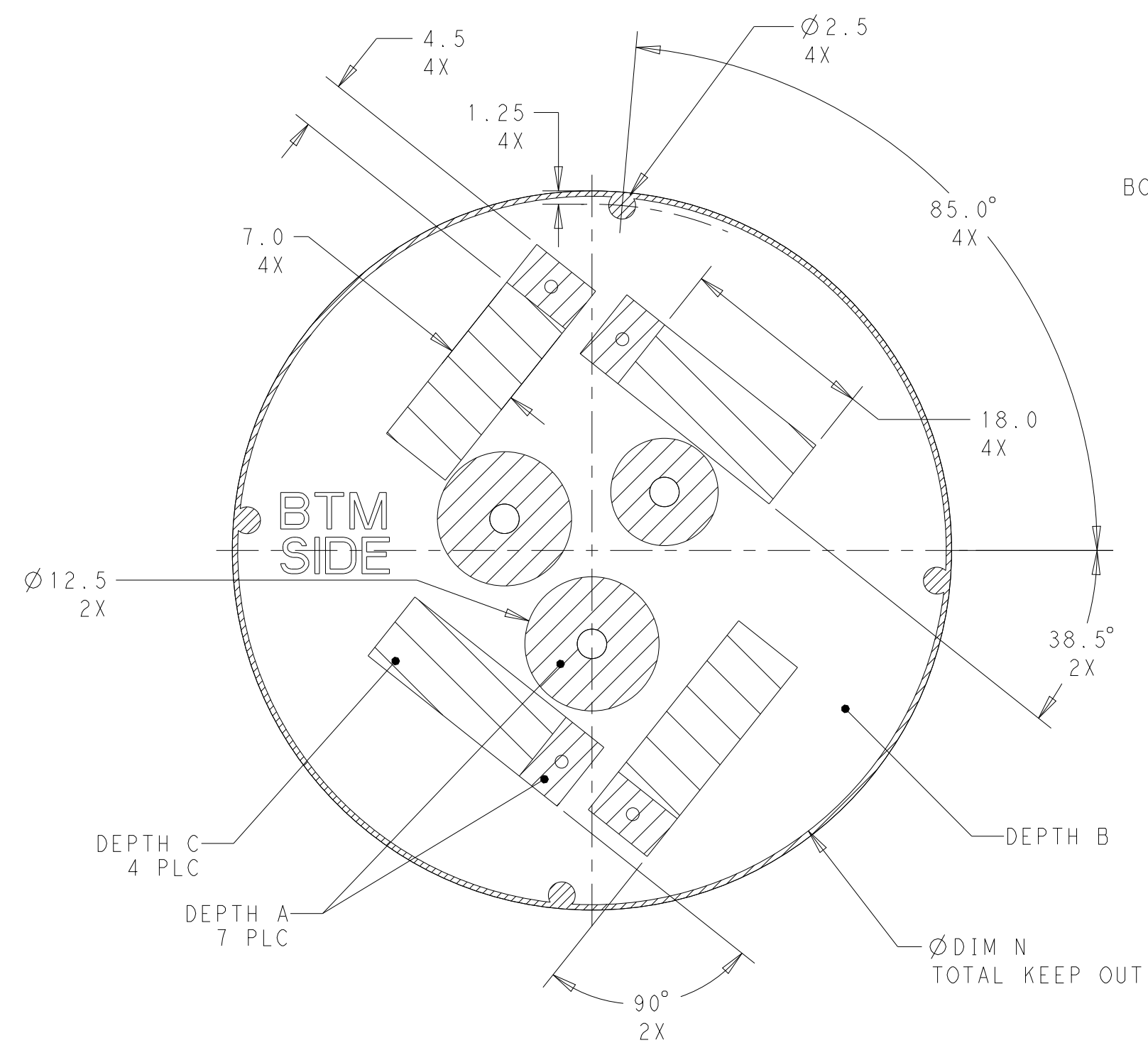
DIMENSIONS:		TOLERANCES UNLESS OTHERWISE SPECIFIED:		APVD		NAME	
mm		0 PLC ±		C DAILY 28SEP2015		TE Connectivity	
		1 PLC ±0.2		CHK E HOWARD 28SEP2015		BASE ASSEMBLY, LIGHT CONTROLLER	
		2 PLC ±0.13		APVD -		SIZE	CAGE CODE
		3 PLC ±		PRODUCT SPEC		A2	-
		4 PLC ±		108-32125		DRAWING NO	RESTRICTED TO
		ANGLES ±3°		APPLICATION SPEC		G-2213730	-
		FINISH		114-32159		SCALE	SHEET
				WEIGHT		2:1	1 OF 3
				CUSTOMER DRAWING		REV	B

1471-9 (3/11)

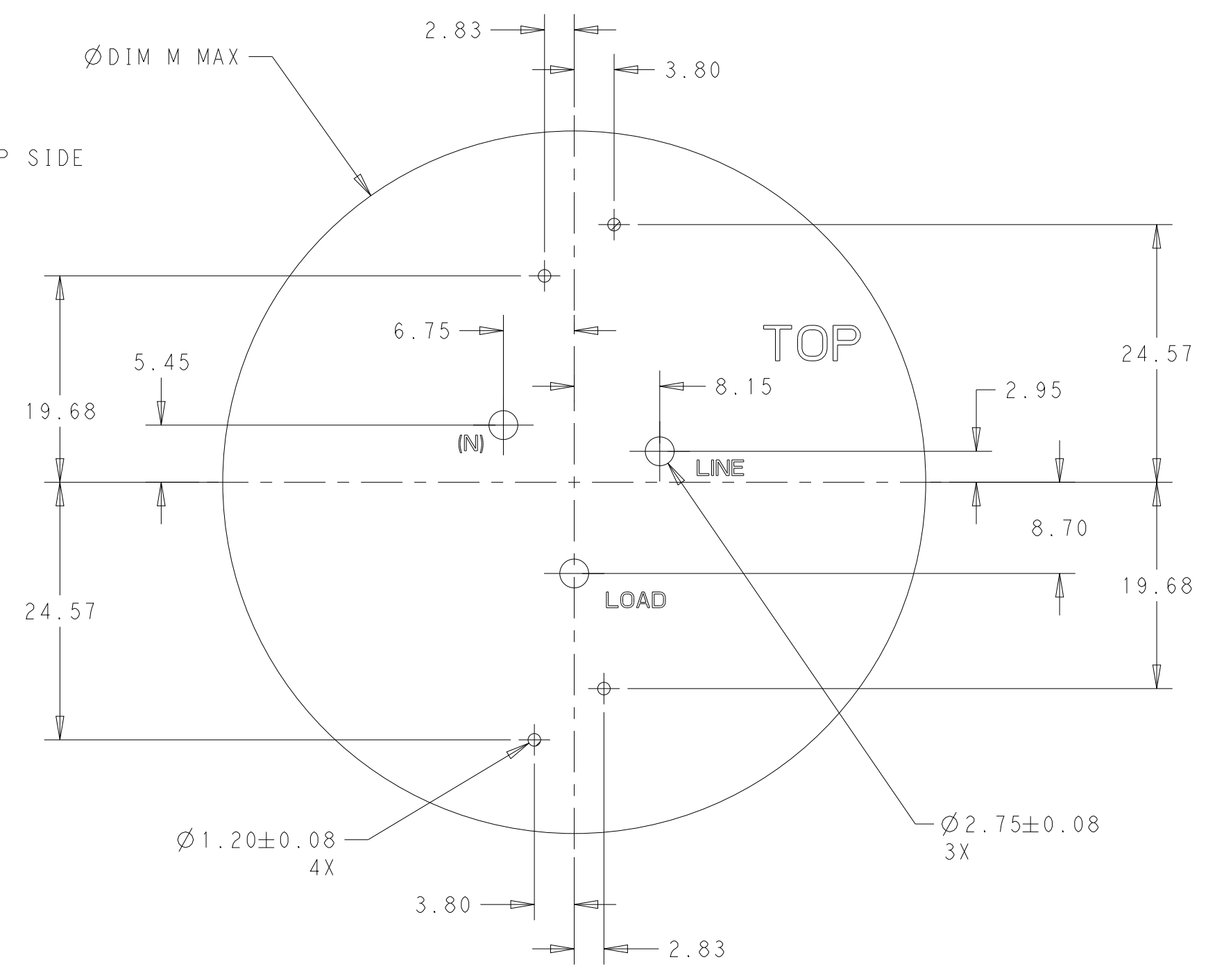
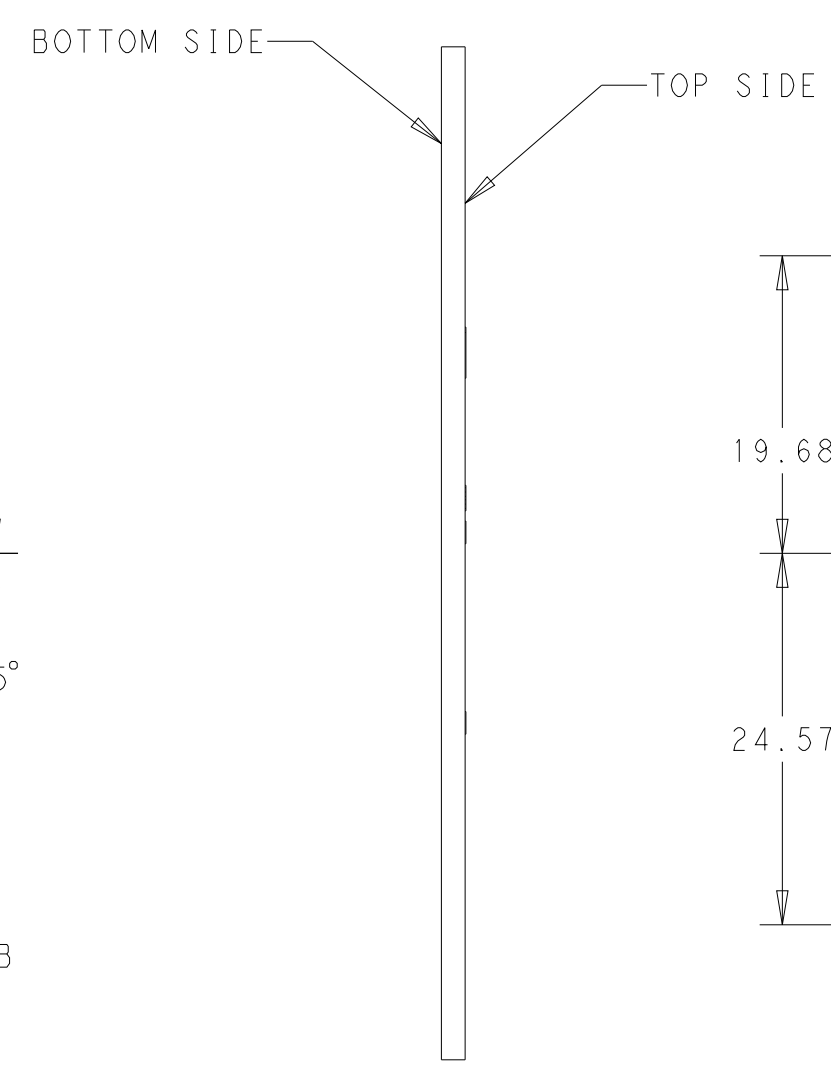
Downloaded From [Onyac.com](http://www.onyac.com)

THIS DRAWING IS UNPUBLISHED. RELEASED FOR PUBLICATION 20
 © COPYRIGHT 20 BY - ALL RIGHTS RESERVED.

LOC		DIST		REVISIONS			
P	LTR	DESCRIPTION	DATE	DWN	APVD		
-	-	SEE SHEET 1	-	-	-		



COMPONENT KEEP OUT AREAS

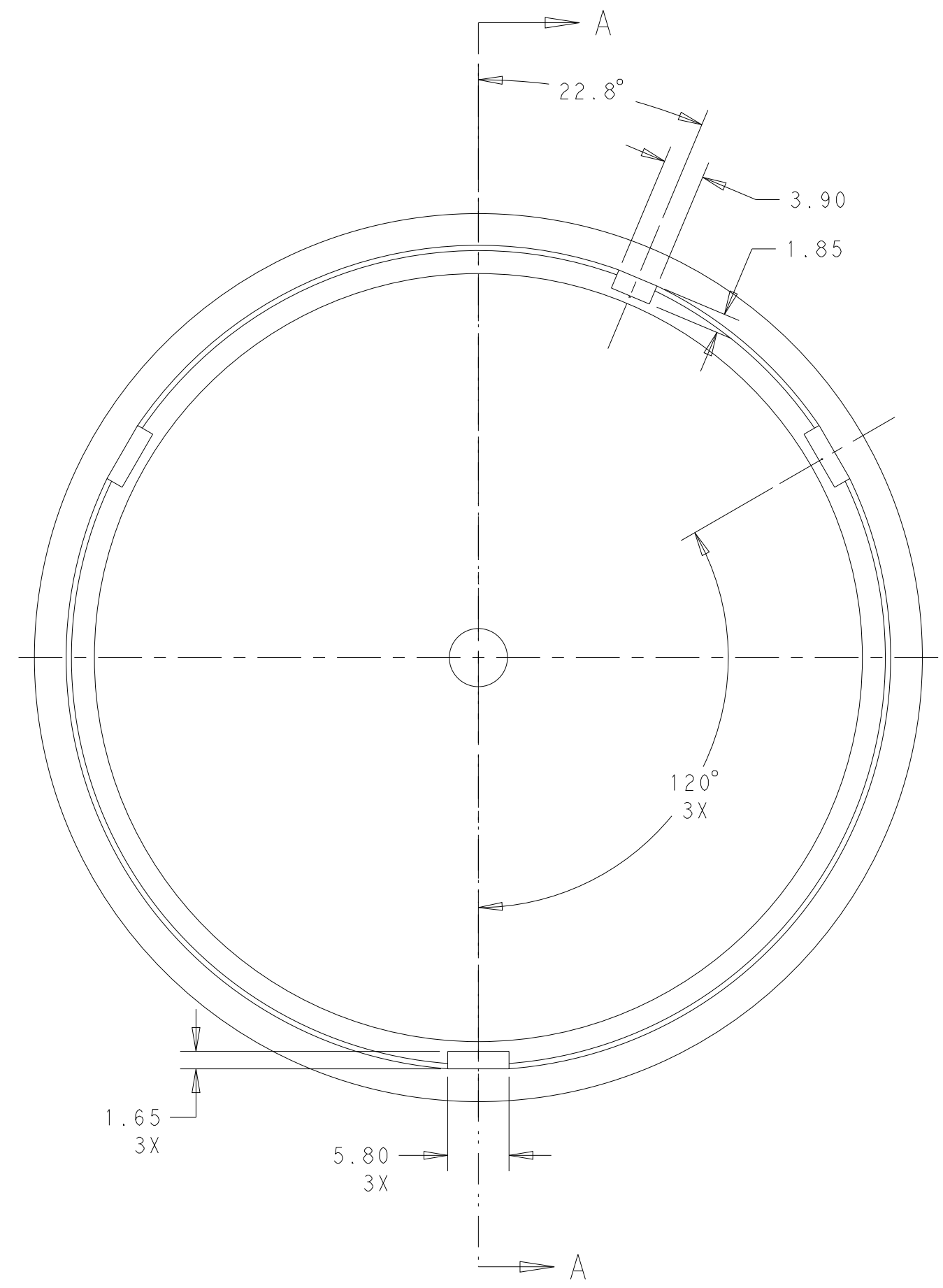
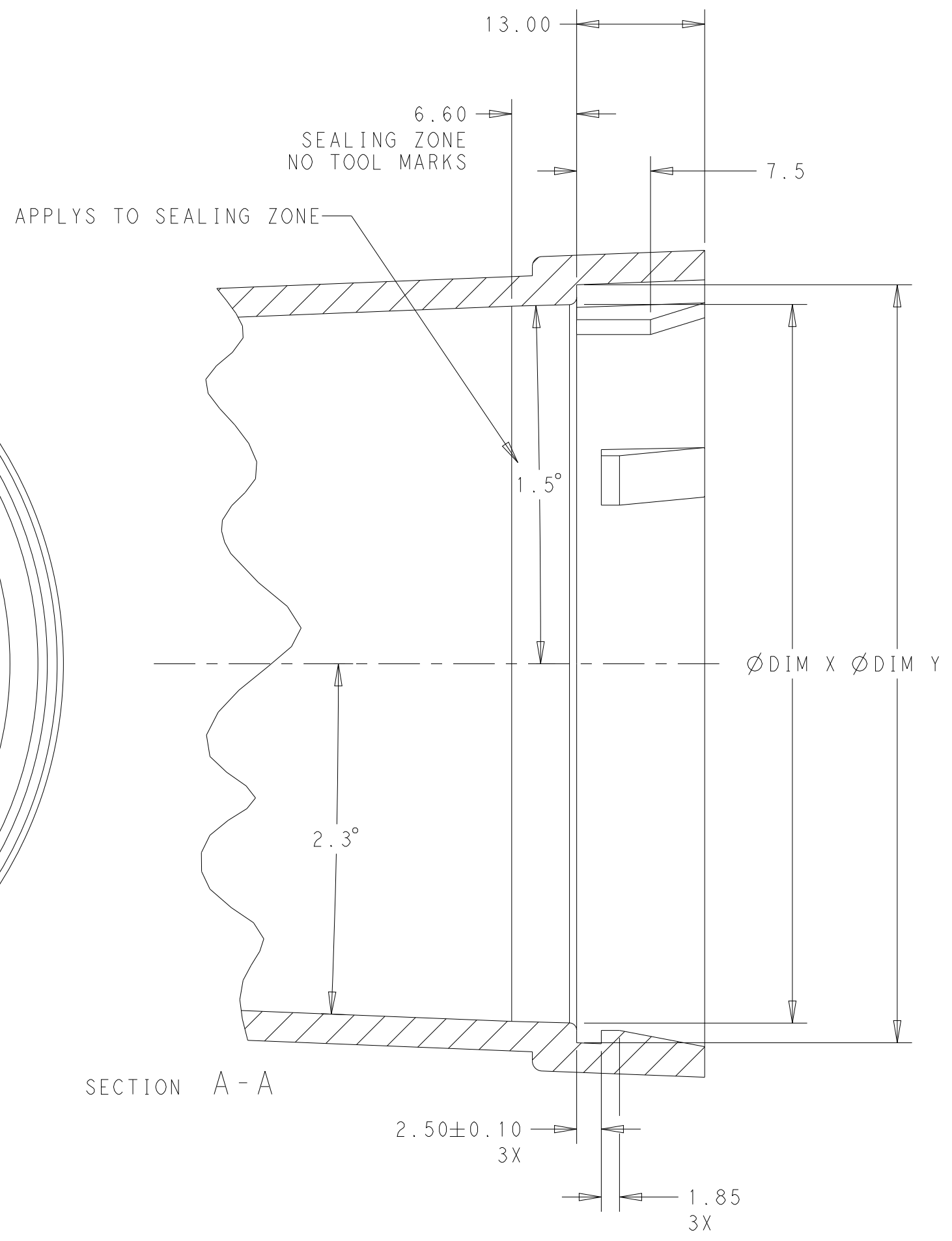
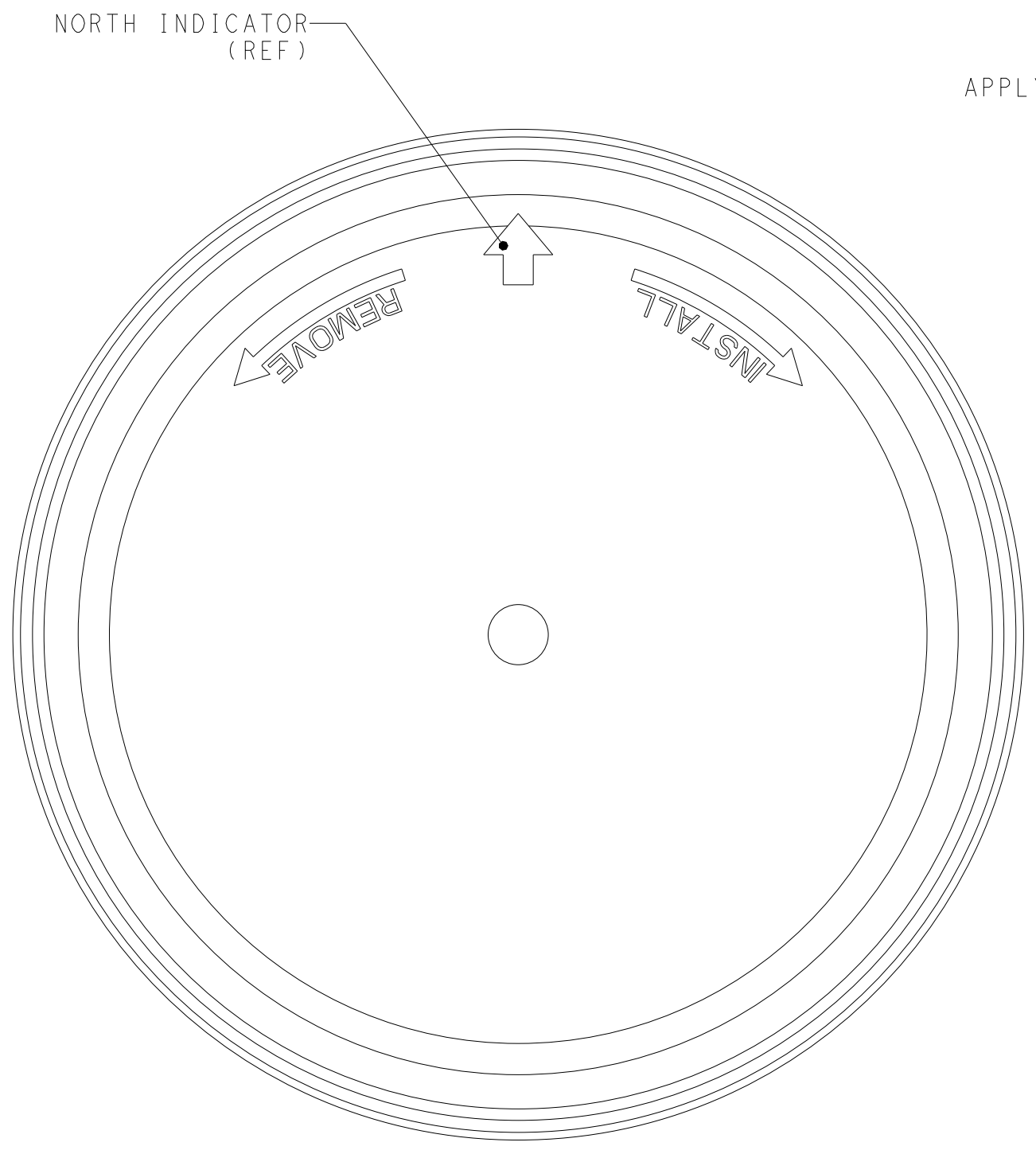


RECOMMENDED PCB SCALE 2:1

THIS DRAWING IS A CONTROLLED DOCUMENT.		DWN C. DAILY 28SEP2015	TE Connectivity	
		CHK E. HOWARD 28SEP2015		
DIMENSIONS:	TOLERANCES UNLESS OTHERWISE SPECIFIED:	APVD -	NAME BASE ASSEMBLY, LIGHT CONTROLLER	
mm	0 PLC ± 1 PLC ±0.2 2 PLC ±0.13 3 PLC ± 4 PLC ±	PRODUCT SPEC 108-32125	RESTRICTED TO -	
MATERIAL	ANGLES ±3° FINISH	APPLICATION SPEC 114-32159	SIZE A2	CAGE CODE -
-	-	WEIGHT -	DRAWING NO C-2213730	SCALE 2:1
CUSTOMER DRAWING			SHEET 2 OF 3	REV B

THIS DRAWING IS UNPUBLISHED. RELEASED FOR PUBLICATION 20
 © COPYRIGHT 20 BY - ALL RIGHTS RESERVED.

LOC		DIST		REVISIONS			
P	LTR	DATE	DWN	APVD	DESCRIPTION		
-	-	-	-	-	SEE SHEET 1		



MATING CAP DIMENSIONS 5

THIS DRAWING IS A CONTROLLED DOCUMENT.		DWN C. DAILY 28SEP2015	TE Connectivity	
		CHK E. HOWARD 28SEP2015		
DIMENSIONS:	TOLERANCES UNLESS OTHERWISE SPECIFIED:	APVD -	NAME BASE ASSEMBLY, LIGHT CONTROLLER	
mm	0 PLC ± 1 PLC ±0.2 2 PLC ±0.13 3 PLC ± 4 PLC ±	PRODUCT SPEC 108-32125	SIZE A2	
MATERIAL	FINISH ±3°	APPLICATION SPEC 114-32159	CAGE CODE -	DRAWING NO C-2213730
		WEIGHT -	RESTRICTED TO -	SCALE 2:1
		CUSTOMER DRAWING	SHEET 3	OF 3
			REV B	

单击下面可查看定价，库存，交付和生命周期等信息

[>>TE Connectivity\(泰科\)](#)