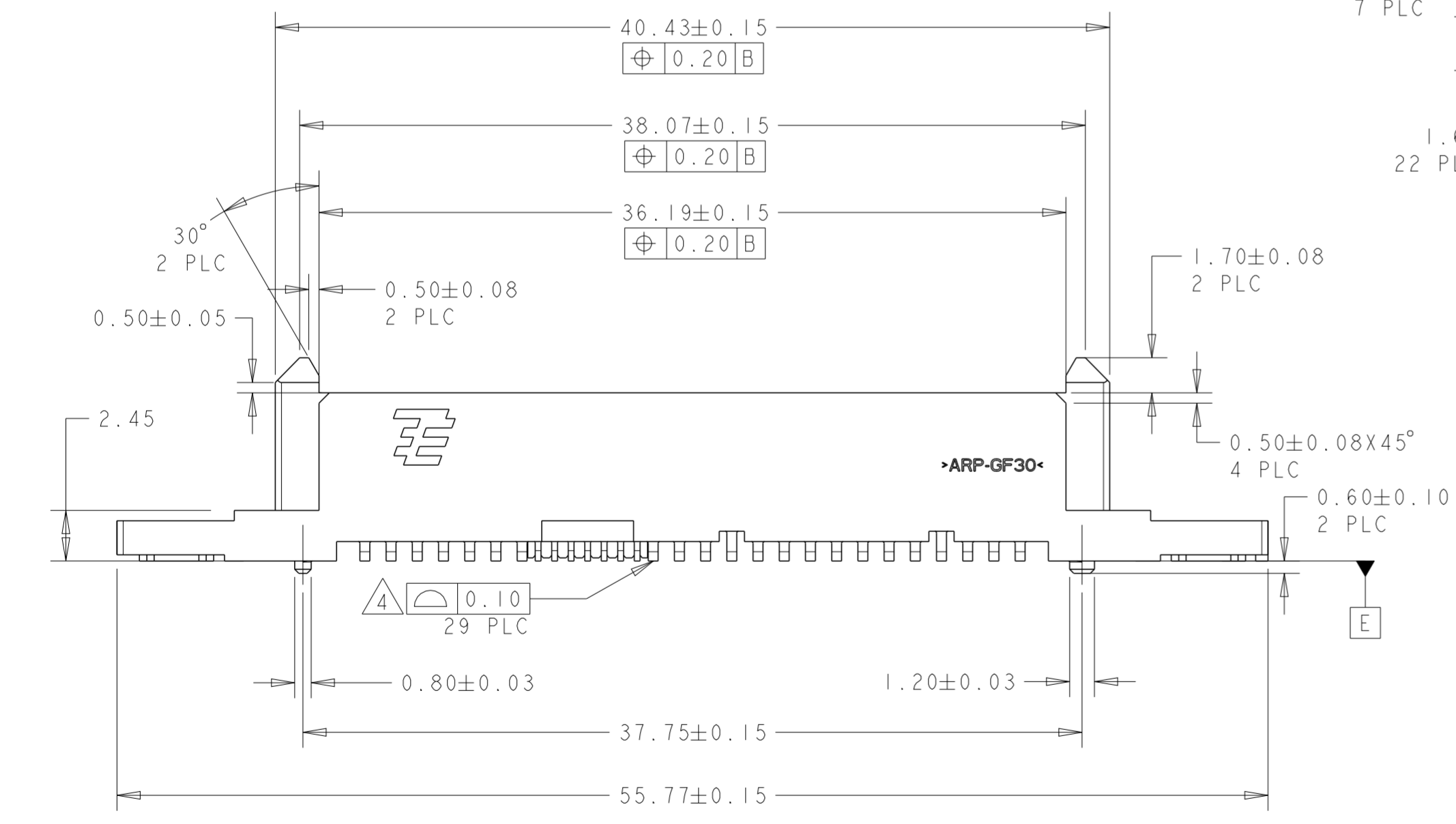
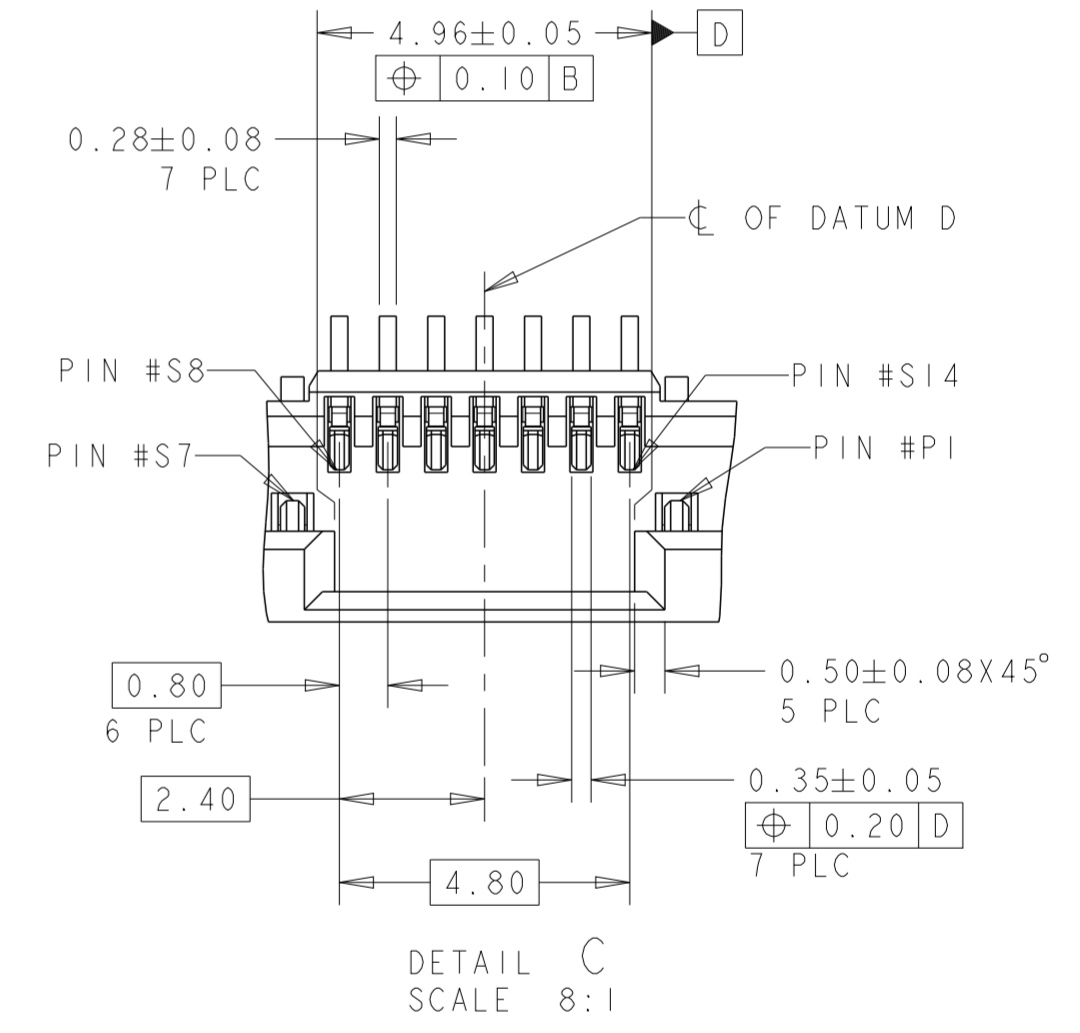
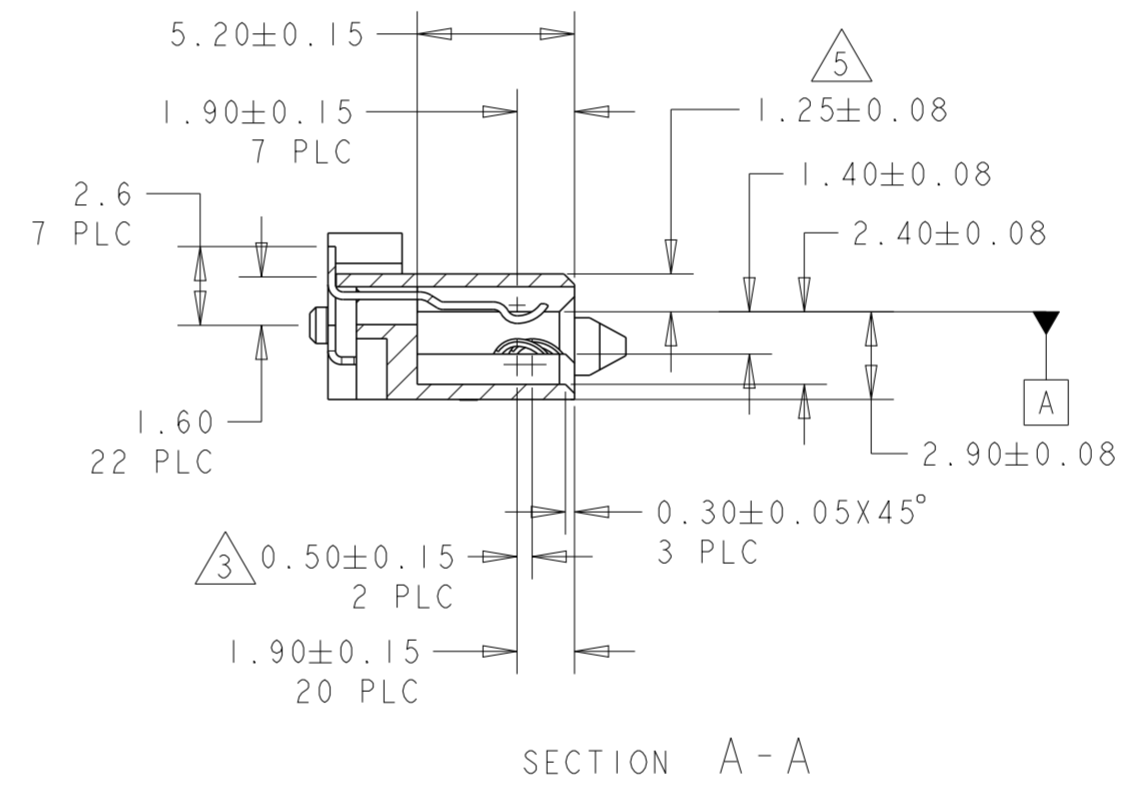
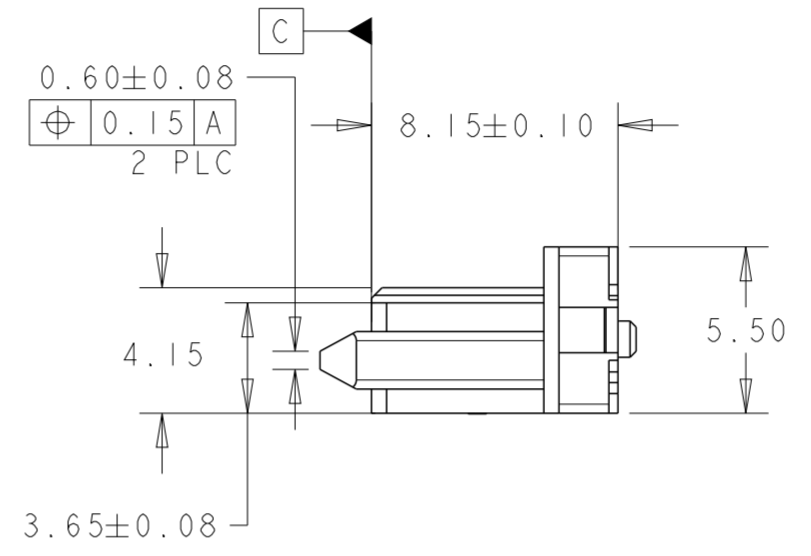
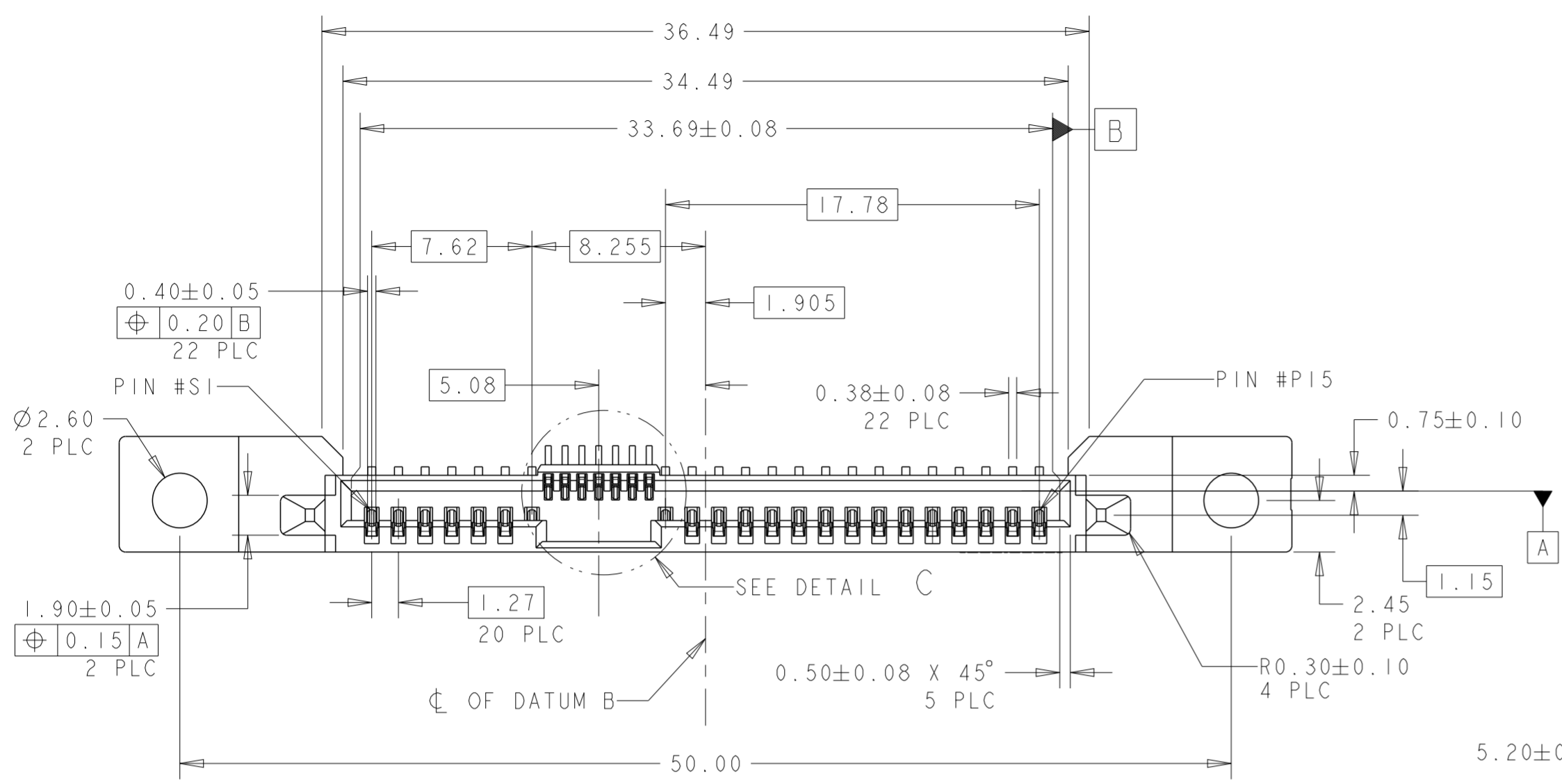


THIS DRAWING IS UNPUBLISHED. RELEASED FOR PUBLICATION 20
 © COPYRIGHT 20 BY - ALL RIGHTS RESERVED.

REVISIONS				
P	LTR	DESCRIPTION	DATE	APVD
-	B	REVISED PER ECO-14-008073	30MAY2014	BL JY

NOTES:

- 1 MATERIAL:
 HOUSING: HIGH TEMP THERMOPLASTIC, UL94V-0,
 COLOR: BLACK
 CONTACT: COPPER ALLOY
 ROUND POST: BRASS
- 2 FINISH:
 CONTACT AREA: MIN 0.76um GOLD PLATING
 SOLDER TAIL: MIN 2.54um MATTE TIN PLATING
 UNDERPLATE: MIN 1.27um NICKEL PLATING
 ROUND POST PLATING: MIN 2.54um TIN OVER
 MIN 1.27um NICKEL UNDERPLATE
- 3 PIN #P4 AND #P12 ONLY
- 4 SOLDER TAIL TO BE 0.05 MAX ABOVE AND
 0.10 MAX BELOW DATUM E
- 5 1.33 MAX MEASURED AT DATUM C



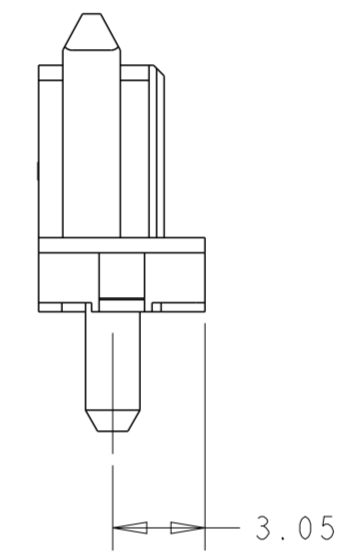
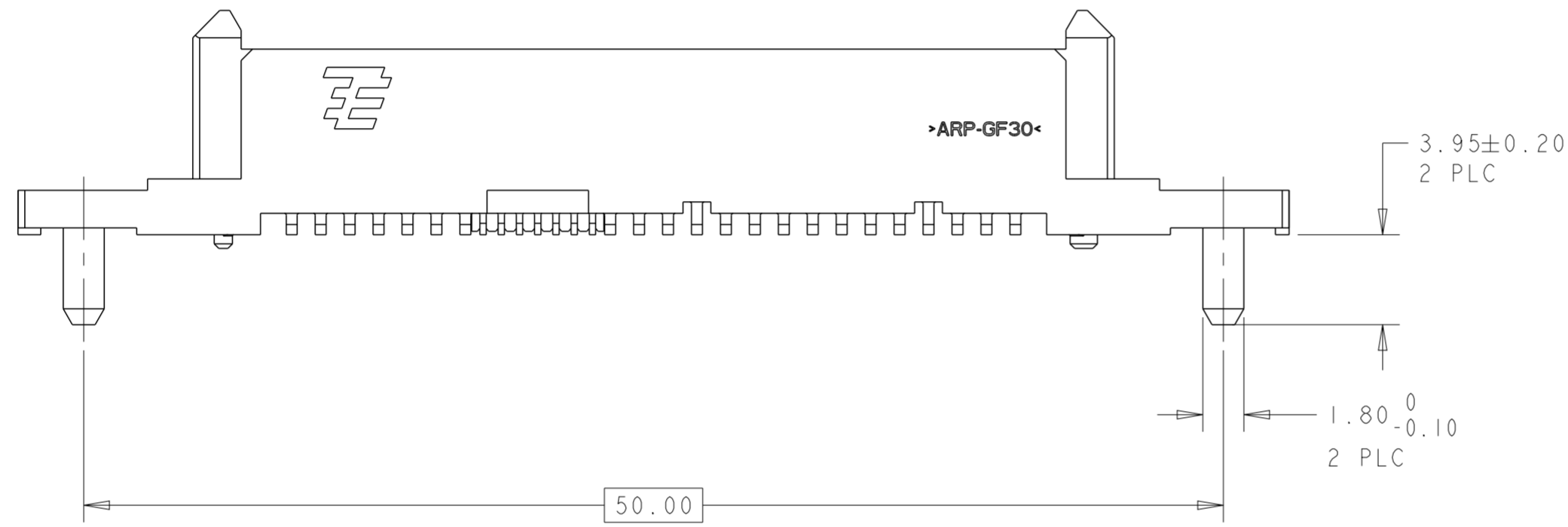
P/N: 1735869-1 AS SHOWN

WITH ROUND POST	1735869-2
WITHOUT ROUND POST	1735869-1
REMARK	PN

THIS DRAWING IS A CONTROLLED DOCUMENT.		DWN TY PANG 15MAR2011	TE Connectivity	
DIMENSIONS: mm		CHK SF LEONG 15MAR2011		
TOLERANCES UNLESS OTHERWISE SPECIFIED:		APVD SF LEONG 15MAR2011	NAME SAS BACKPLANE RECEPTACLE, VERTICAL, SMT, THROUGH HOLE FLANGE	
0 PLC ± 1 PLC ± 2 PLC ±0.20 3 PLC ± 4 PLC ± ANGLES ±3° FINISH		PRODUCT SPEC 108-51067	SIZE A2	
MATERIAL		APPLICATION SPEC	CAGE CODE	DRAWING NO
1		WEIGHT	-	C-1735869
2		CUSTOMER DRAWING	SCALE 4:1	SHEET 1 OF 3 REV B

THIS DRAWING IS UNPUBLISHED. RELEASED FOR PUBLICATION 20
 © COPYRIGHT 20 BY - ALL RIGHTS RESERVED.

REVISIONS				
P	LTR	DESCRIPTION	DATE	APVD
-	-	SEE SHEET 1	-	-



1735869-2 AS SHOWN

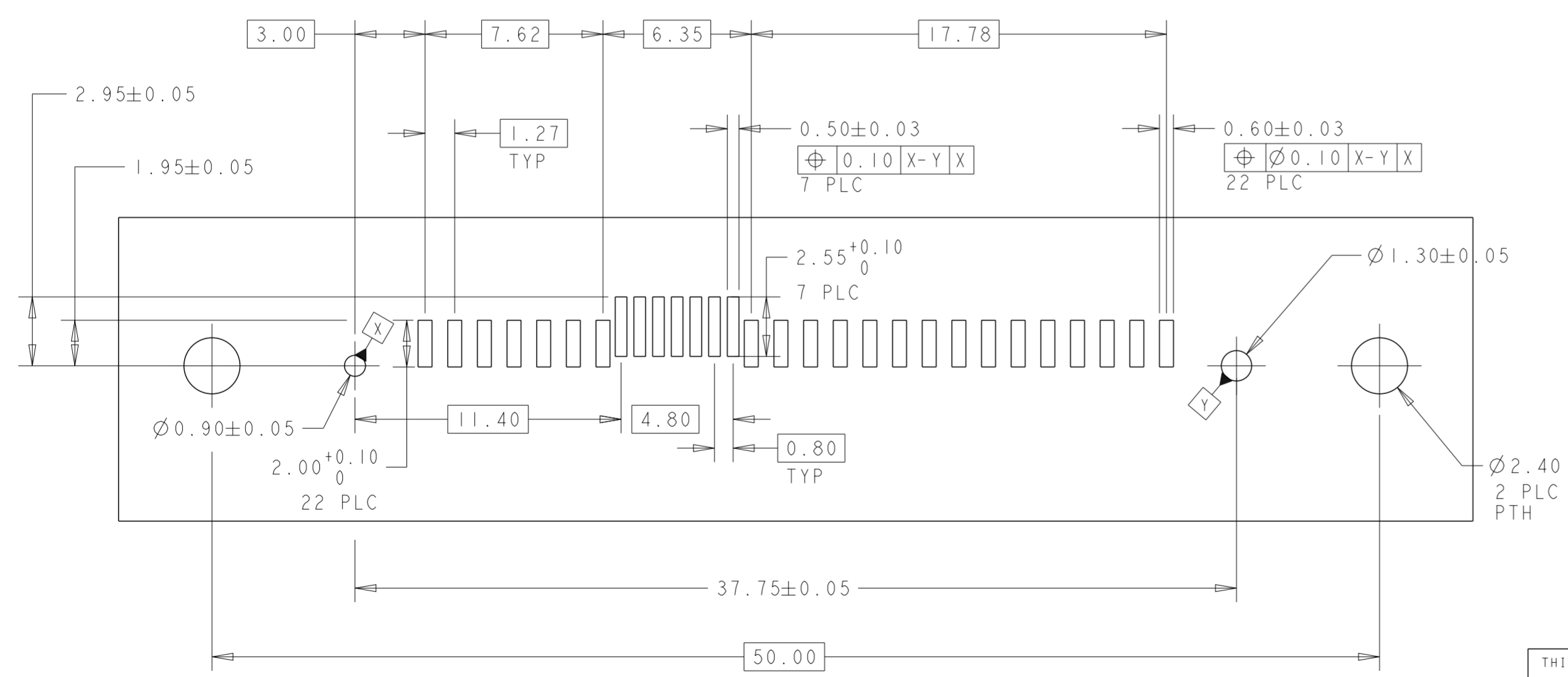
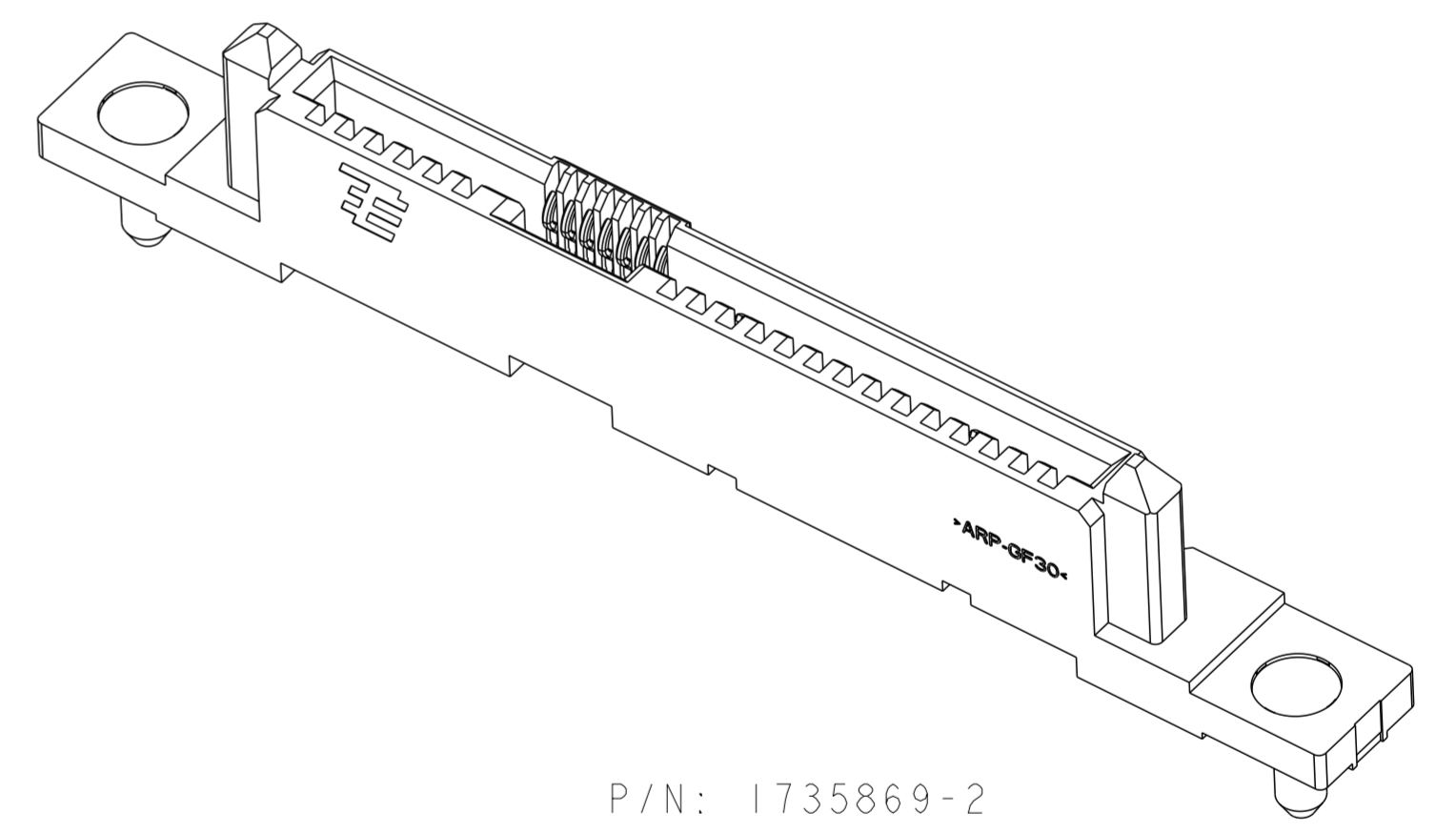
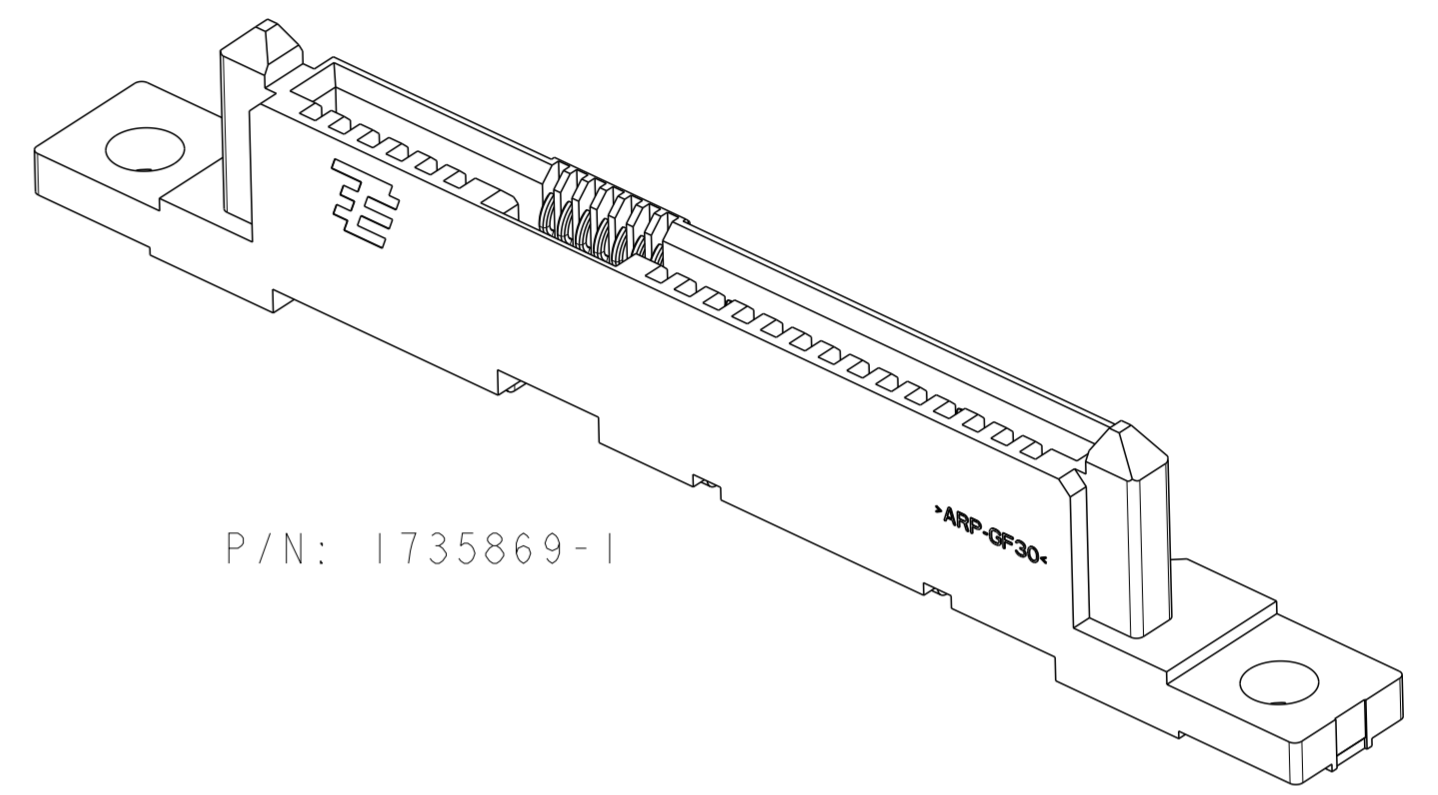
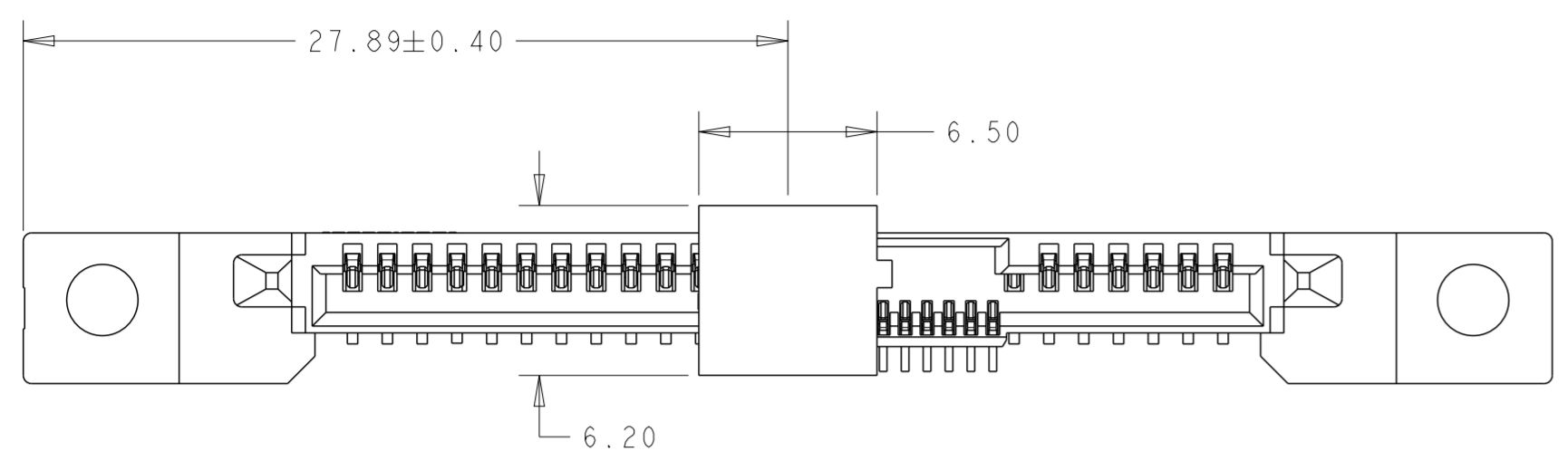
UNSPECIFIC DIMENSIONS ARE SAME WITH 1735869-1

THIS DRAWING IS A CONTROLLED DOCUMENT.		DWN TY PANG 15MAR2011	STE TE Connectivity	
DIMENSIONS: mm		CHK SF LEONG 15MAR2011		
TOLERANCES UNLESS OTHERWISE SPECIFIED:		APVD SF LEONG 15MAR2011	NAME SAS BACKPLANE RECEPTACLE, VERTICAL, SMT, THROUGH HOLE FLANGE	
0 PLC ± 1 PLC ± 2 PLC ±0.20 3 PLC ± 4 PLC ±		PRODUCT SPEC 108-51067	SIZE A2	
ANGLES ±3° FINISH		APPLICATION SPEC -	CAGE CODE -	DRAWING NO C-1735869
MATERIAL		WEIGHT -	RESTRICTED TO -	
		CUSTOMER DRAWING	SCALE 4:1	SHEET 2 OF 3
			REV B	

THIS DRAWING IS UNPUBLISHED. RELEASED FOR PUBLICATION 20
 © COPYRIGHT 20 BY - ALL RIGHTS RESERVED.

REVISIONS				
P	LTR	DESCRIPTION	DATE	APVD
-		SEE SHEET 1	-	-

P/NS WITH CAP AS SHOWN



RECOMMENDED PCB LAYOUT
 SCALE 5:1

THIS DRAWING IS A CONTROLLED DOCUMENT.		DWN TY PANG 15MAR2011	TE Connectivity	
DIMENSIONS: mm		CHK SF LEONG 15MAR2011		
TOLERANCES UNLESS OTHERWISE SPECIFIED:		APVD SF LEONG 15MAR2011	NAME SAS BACKPLANE RECEPTACLE, VERTICAL, SMT, THROUGH HOLE FLANGE	
0 PLC ± 1 PLC ± 2 PLC ±0.20 3 PLC ± 4 PLC ± ANGLES ±3° FINISH -		PRODUCT SPEC 108-51067	SIZE A2	
MATERIAL TBD		APPLICATION SPEC -	CAGE CODE -	DRAWING NO G-1735869
		WEIGHT -	RESTRICTED TO -	SCALE 4:1
		CUSTOMER DRAWING	SHEET 3 OF 3	REV B

单击下面可查看定价，库存，交付和生命周期等信息

[>>TE Connectivity\(泰科\)](#)