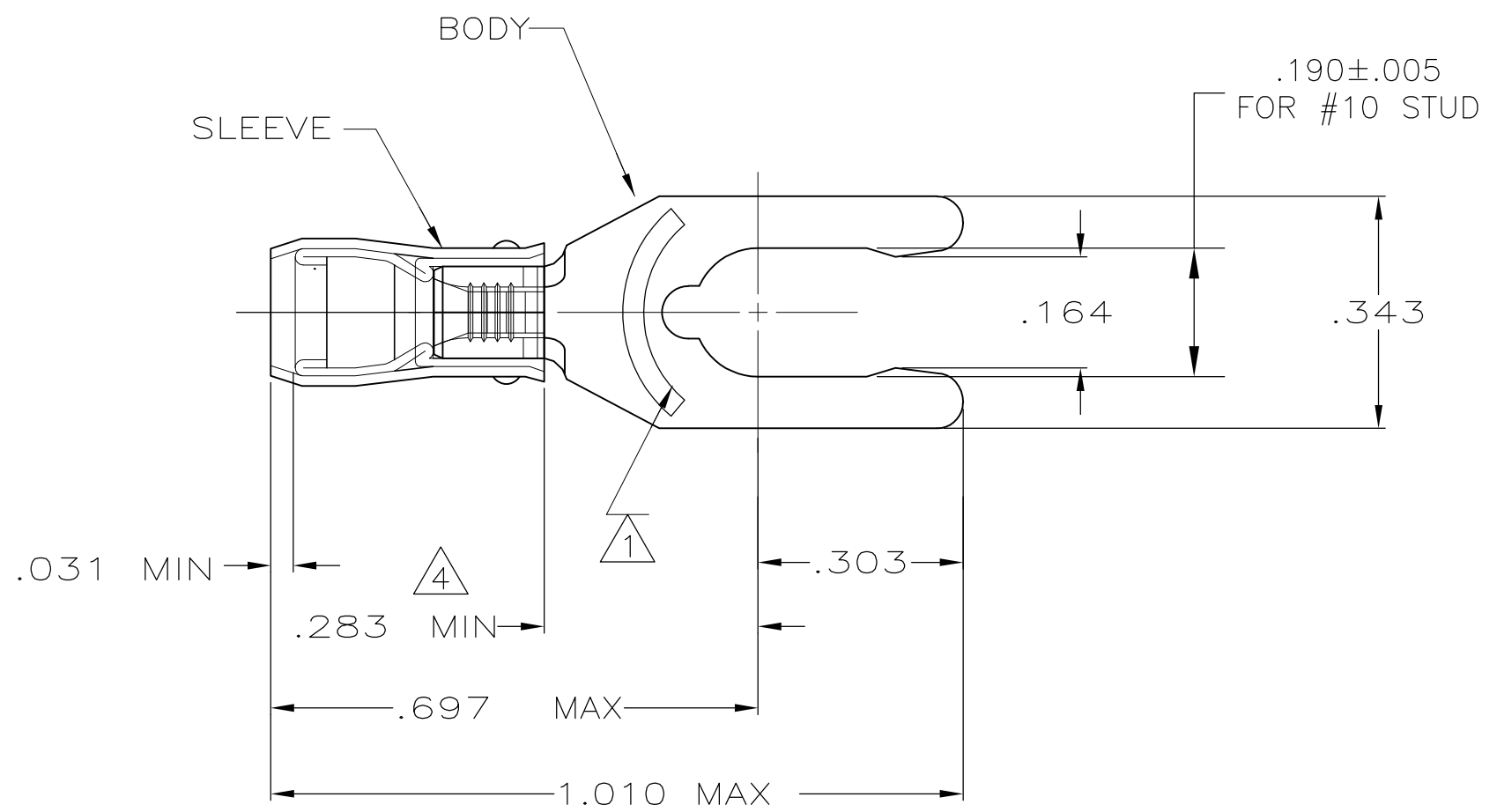


THIS DRAWING IS UNPUBLISHED. RELEASED FOR PUBLICATION
 © COPYRIGHT BY TYCO ELECTRONICS CORPORATION. ALL RIGHTS RESERVED.

| LOC | DIST | REVISIONS | | | | | |
|-----|------|-----------|-----|-----------------------|---------|-----|------|
| | | P | LTR | DESCRIPTION | DATE | DWN | APVD |
| G | 14 | | C1 | REV PER ECR 10-009503 | 04MAY10 | JR | TM |

AMP
WIRE RANGE

22-16 AWG
SOLID OR STRANDED



- 1 STAMP 10S AMP 22-18* APPROX AS SHOWN
22-16 TERMINALS ARE STAMPED 22-18 IN ACCORDANCE WITH MILITARY SPEC MIL-T-7928
COMMERCIAL WIRE RANGE IS 22-16
- 2 WIRE INSULATION DIA: .080-.125
- 3 TONGUE MATERIAL THK: .031±.002
- 4 DIMENSION APPLIES FROM EDGE OF METAL WIRE BBL TO CENTER OF STUD HOLE.
- 5 MATERIAL:
BODY: PHOSPHOR BRONZE PER ASTM B103
SLEEVE: COPPER PER ASTM B152
INSULATION: NYLON BLUE
- 6 FINISH: BODY & SLEEVE - TIN PLATE PER ASTM B-545

| | | |
|------|--------------|----------|
| 1000 | LOOSE PIECE | 696471-1 |
| QTY | PACKAGE TYPE | PART NO. |

| | | | | | | | | | | | |
|--|--|---|--|--|----------------------------------|--|--------------------|------------------------|--------------|-----------------|-----------|
| AMP INCORPORATED CUSTOMER SERVICE SYSTEMS | | MAX RECOMMENDED OPERATING TEMPERATURE: 105°C [221°F] | THIS DRAWING IS A CONTROLLED DOCUMENT. | | DWN JR RUTH 29AUG02 | Tyco Electronics Tyco Electronics Corporation Harrisburg, PA 17105-3608 | | | | | |
| FOR ADDITIONAL PRODUCT INFORMATION OR COPIES OF DRAWINGS AND TECHNICAL DOCUMENTS | PRODUCT INFORMATION CENTER 1-800-522-6752 | VOLTAGE RATING: 300 V MAX | DIMENSIONS: INCHES | TOLERANCES UNLESS OTHERWISE SPECIFIED: | CHK T MICHIELUTTI 29AUG02 | NAME TERMINAL, PIDG, LONG, SPRING SPADE, WIRE SIZE 22-16 | | | | | |
| FOR APPLICATION TOOLING INFORMATION | TOOLING ASSISTANCE CENTER 1-800-722-1111 | CIRCULAR MIL AREA: 0.26-1.65mm² [509-3260] SOLID OR STRANDED | | 0 PLC ± - 1 PLC ± - 2 PLC ± 0.20[.008] 3 PLC ± - 4 PLC ± - ANGLES ± - | APVD T MICHIELUTTI 29AUG02 | APPLICATION SPEC | RESTRICTED TO | | | | |
| FOR ORDER ENTRY | 1-800-526-5142 | THIS DRAWING IS A CONTROLLED DOCUMENT FOR AMP INCORPORATED. IT IS SUBJECT TO CHANGE AND THE CONTROLLING ENGINEERING ORGANIZATION SHOULD BE CONTACTED FOR THE LATEST REVISION. | | MATERIAL | FINISH | SIZE A3 | CAGE CODE 00779 | DRAWING NO G-696471 | SCALE NTS | SHEET 1 OF 1 | REV C1 |

单击下面可查看定价，库存，交付和生命周期等信息

[>>TE Connectivity\(泰科\)](#)