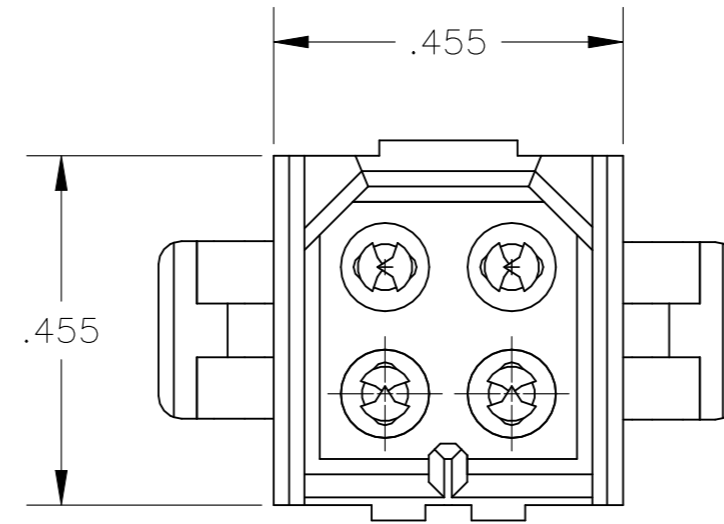
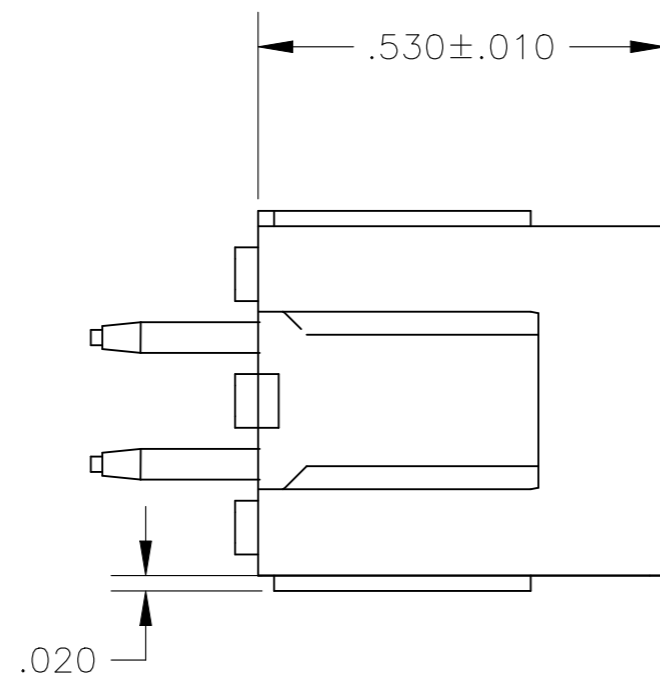
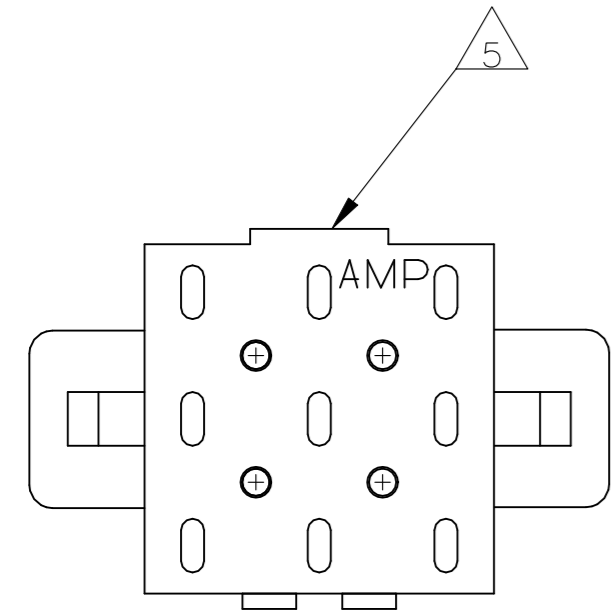
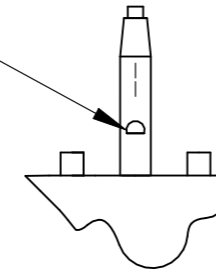


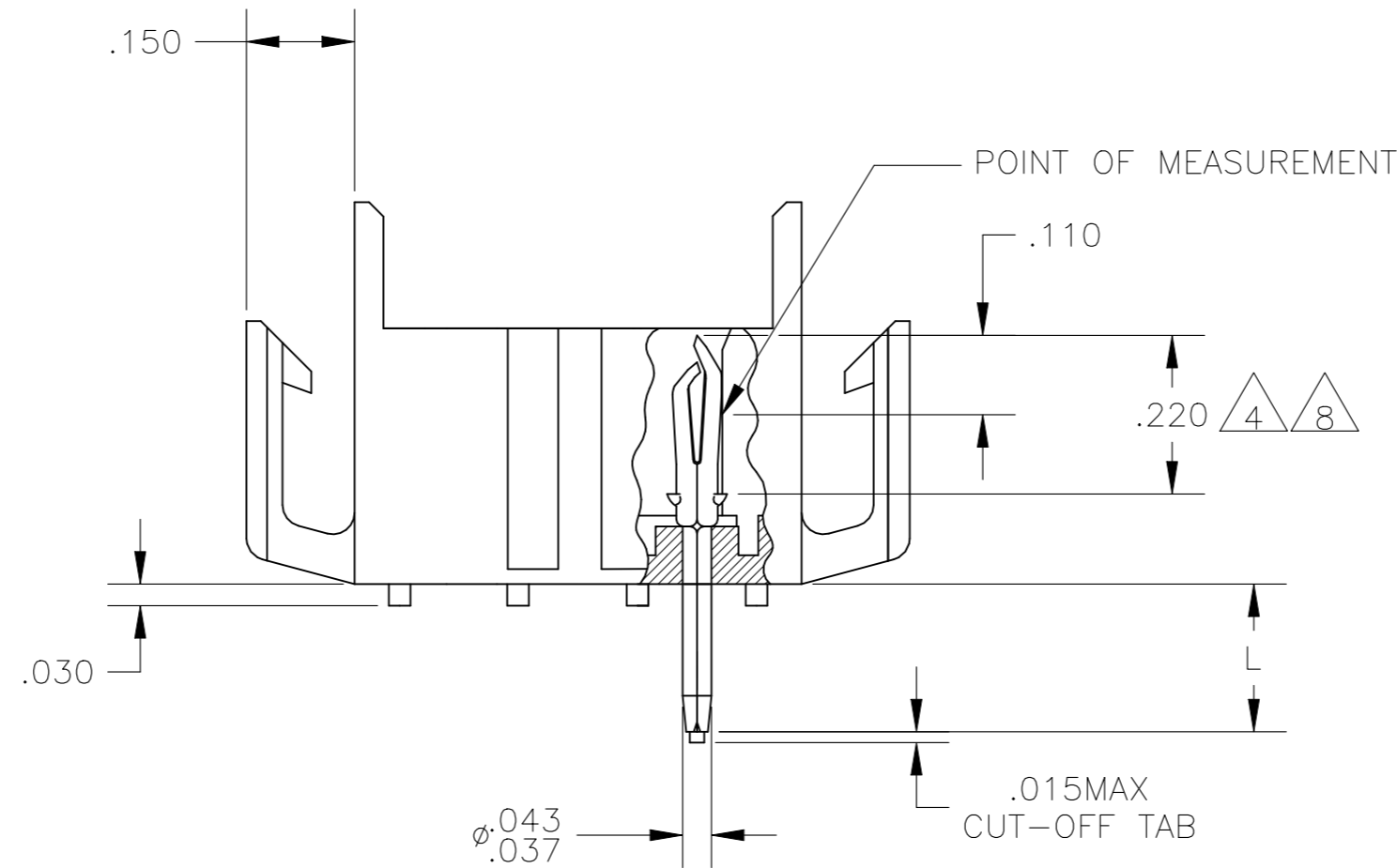
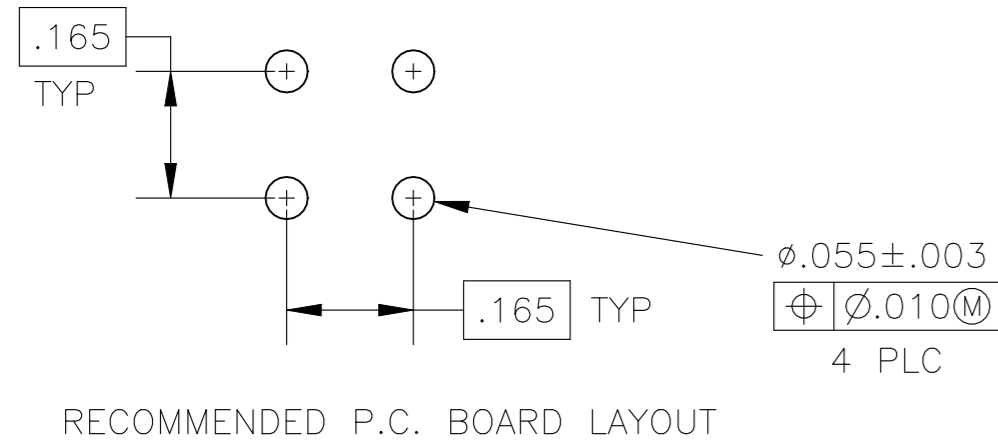
REVISIONS					
P	LTR	DESCRIPTION	DATE	DWN	APVD
R		REVISED PER ECO-21-006873	11AUG2021	RK	MZ



ANTI SOLDER WICKING TAB



1. FITS SOCKET HOUSING 640519.
2. ASSEMBLY CONFORMS TO AMP SOLDERABILITY SPEC. 109-11-3.
3. FOR USE WITH .063 THICK P.C. BOARD.
4. CONTACT IS PLATED OVERALL WITH .000050 NICKEL, THEN .000030 GOLD OVER CONTACT LENGTH INDICATED AND .000150 MATTE TIN-LEAD ON SOLDER TAIL END.
5. UL AND CSA LOGO LOCATED ON THIS SURFACE.
6. FOR USE WITH .120 THICK P.C. BOARD.
7. FOR USE WITH .093 THICK P.C. BOARD.
8. CONTACT IS PLATED OVERALL WITH .000050 NICKEL, THEN .000030 GOLD OVER CONTACT LENGTH INDICATED AND .000150 MATTE TIN ON SOLDER TAIL END.
9. OBSOLETE PARTS: OBSOLETE CIS STREAMLINING PER D.RENAUD/D.SINISI
10. HOUSING MATERIAL: PA66, BLACK, UL 94 V-0 RATED
CONTACT MATERIAL: PHOSPHOR BRONZE

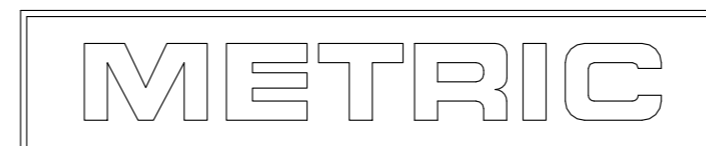


RECOMMENDED P.C. BOARD LAYOUT

OBSOLETE	.180	7	GOLD	8	2-640499-6
	.210	6	GOLD	8	2-640499-4
	.150	3	GOLD	8	2-640499-2
OBSOLETE	.180	4	GOLD	4	640499-6
	.210	6	GOLD	4	640499-4
	.210	6	PRE-TIN		640499-3
	.150	3	GOLD	4	640499-2
	.150	3	PRE-TIN		640499-1
	"L" +.010 -.020		PIN FINISH		PART NUMBER

.010	0.25	.055	1.40	.210	5.33	-	-
.008	0.20	.043	1.09	.180	4.57	-	-
.005	0.13	.037	0.94	.165	4.19	-	-
.003	0.08	.030	0.76	.150	3.81	.530	13.46
.000050	0.00127	.020	0.51	.110	2.79	.455	11.56
.000030	0.00076	.015	0.38	.063	1.60	.220	5.59
IN	MM	IN	MM	IN	MM	IN	MM

CONVERSION TABLE



THIS DRAWING IS A CONTROLLED DOCUMENT.

DIMENSIONS:	TOLERANCES UNLESS OTHERWISE SPECIFIED:
INCHES	0 PLC ± -
	1 PLC ± -
	2 PLC ± -
	3 PLC ± .005
	4 PLC ± -
	ANGLES ± 0°30'
MATERIAL	FINISH
	SEE TABLE

DWN	J. HUFFMAN	27APR98		
CHK	R. SWING	27APR98		
APVD	T. BEDDICK	27APR98		
PRODUCT SPEC				
APPLICATION SPEC			NAME	HEADER ASSEMBLY, PIN, 4 POSITION, MR.
WEIGHT			SIZE	A2
CUSTOMER DRAWING			CAGE CODE	00779
			DRAWING NO	C-640499
			RESTRICTED TO	-
			SCALE	4:1
			SHEET	1 OF 1
			REV	R

单击下面可查看定价，库存，交付和生命周期等信息

[>>TE Connectivity\(泰科\)](#)